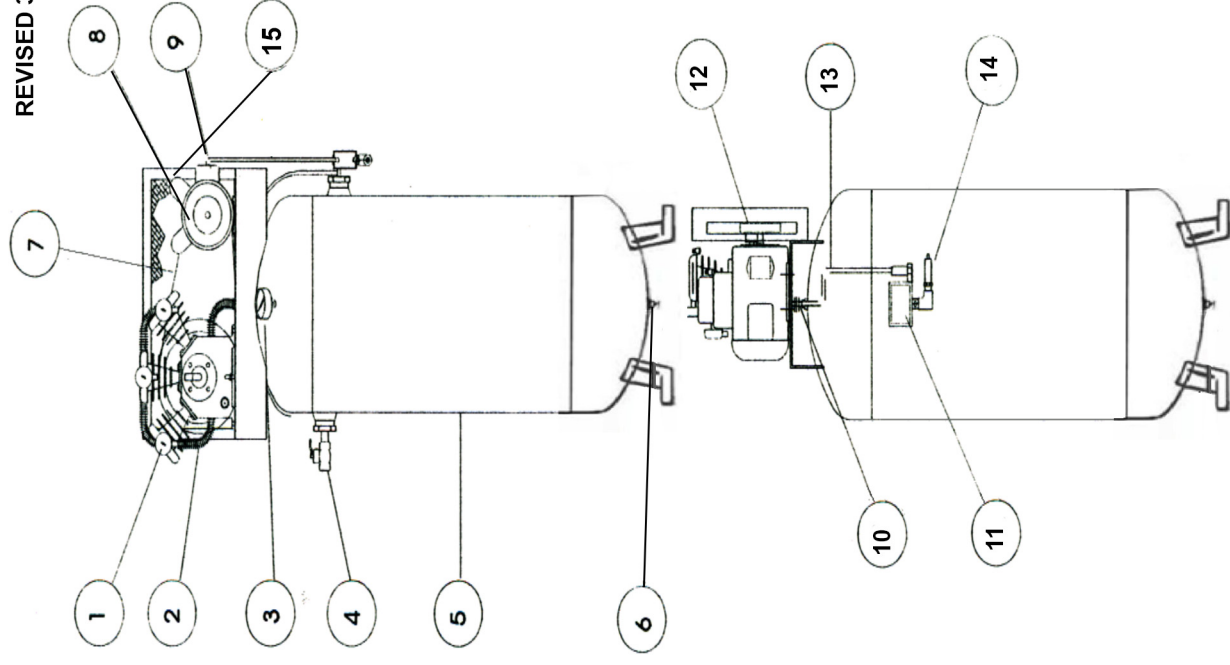


Iron Horse Air Compressor part breakdown - IHD7180V1

Item	Description
1	Compressor w/ Flywheel
2	Discharge Tube (2.5ft) ASSY
3	Pressure Gauge
4	Outlet Valve
5	Air Receiver (tank)
6	Drain Cock -Assembly
7	V-Belt
8	Motor - 1 Phase, 208/230V
9	Wiring Harness
10	Check Valve
11	Pressure Switch
12	Pulley - Motor
13	Unloader Tube
14	Safety Valve
15	Belt Guard
	Eagle Compressor Oil

REVISED 3/27/17



Call 1-800-551-2406 for the Customer Service Department.