

WORLD'S BEST  
**ACCU-STEAM**™  
GRIDDLE

PARTS MANUAL  
ACCU-STEAM GAS G2 GRIDDLE  
MODELS  
GGF/PGF 48" 36" 24"



MP5023-1605

AccuTemp Products, Inc. · 8415 North Clinton Park · Fort Wayne, IN 46825 · 800 210-5907 · [accutemp.net](http://accutemp.net)





## TABLE OF CONTENTS

DESCRIPTION	PAGE
Document History	1
Model String	2
Outer Compents, Complete	3-9
Control Panel Assembly	10-11
Combustion Box Assembly	13-14
Gas Line/Valve Assembly	15-16
Stand Assembly	17
AccuTemp Service Contact Information	18

## DOCUMENT HISTORY

Current Revision	Date	Prior Revision	Date
MP5023-1605	05/12/2016	N/A	

MODEL STRING DIGIT:	BASE MODEL	BASE CONFIGURATION	SUPPLY VOLTAGE			PHASE	DEPTH	WIDTH	SPECIAL CONFIGURATION	MOUNTING/ACCESSORY CONFIGURATION	FOOT CONFIGURATION
	E G	F	2 0 8	3	A	3 6 0 0	0 0	0 0	0 0	13 14	
	1 2	3	4 5 6	7	8	9 10 11 12					

**BASE MODEL**  
EG = Electric Griddle - (Steam Griddle)  
GG = Gas Griddle (Natural Gas) - (Steam Griddle)  
PG = Gas Griddle (Propane) - (Steam Griddle)

**MODEL CONFIGURATION**  
D = Drop-In  
F = Front Grease Trough  
H = Front Grease Trough W/1.00" Cut Down Top  
J = No Grease Trough W/1.00" Cut Down Top  
K = Rear Grease Trough W/1.00" Cut Down Top  
L = Side Grease Trough W/1.00" Cut Down Top  
M = Front & Rear Grease Trough W/1.00" Cut Down Top  
N = No Grease Trough  
R = Rear Grease Trough  
S = Side Grease Trough  
T = Front & Rear Grease Trough

**SUPPLY VOLTAGE**  
120 = 120V (Gas only)  
208 = 208V (Electric only)  
230 = 230V (Electric only)  
240 = 240V  
380 = 380V (Electric only)  
415 = 415V (Electric only)  
440 = 440V (Electric only)  
480 = 480V (Electric only)

**PHASE**  
1 = 1 Phase  
3 = 3 Phase  
5 = 3 Phase / 4 wire + GND

**DEPTH**  
A = 30 in.  
B = 24 in.  
C = 31 in. RESERVED (In-N-Out)  
D = 17 in. RESERVED (Compact Drop-In)

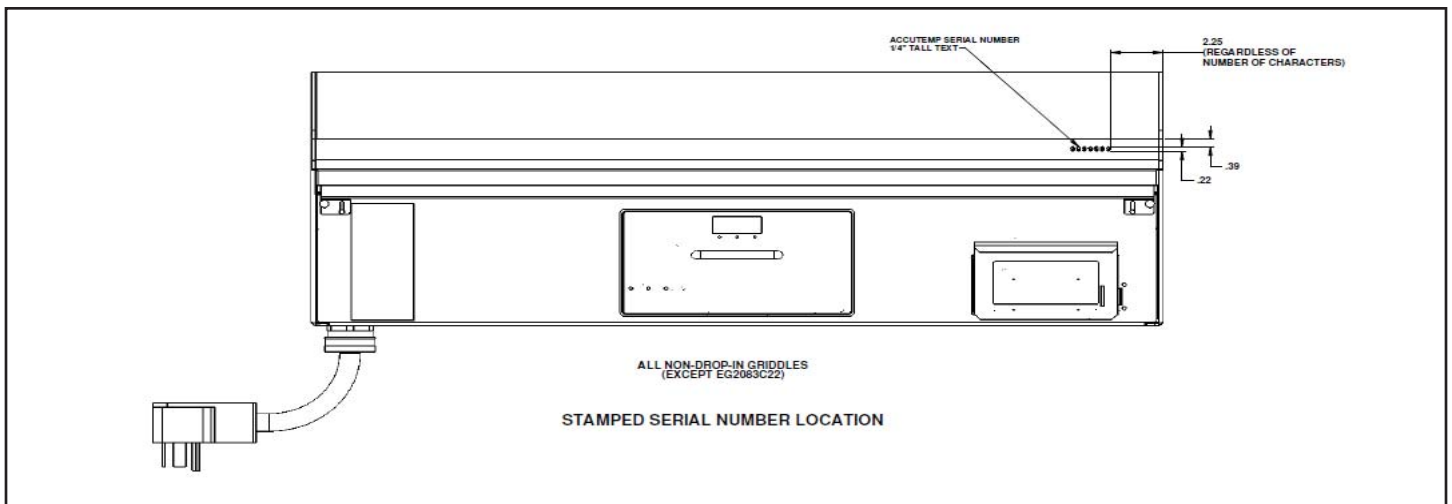
**WIDTH**  
21 = 21 in. RESERVED (Compact Drop-In)  
22 = 22 in. RESERVED (In-N-Out)  
24 = 24 in.  
36 = 36 in.  
48 = 48 in.

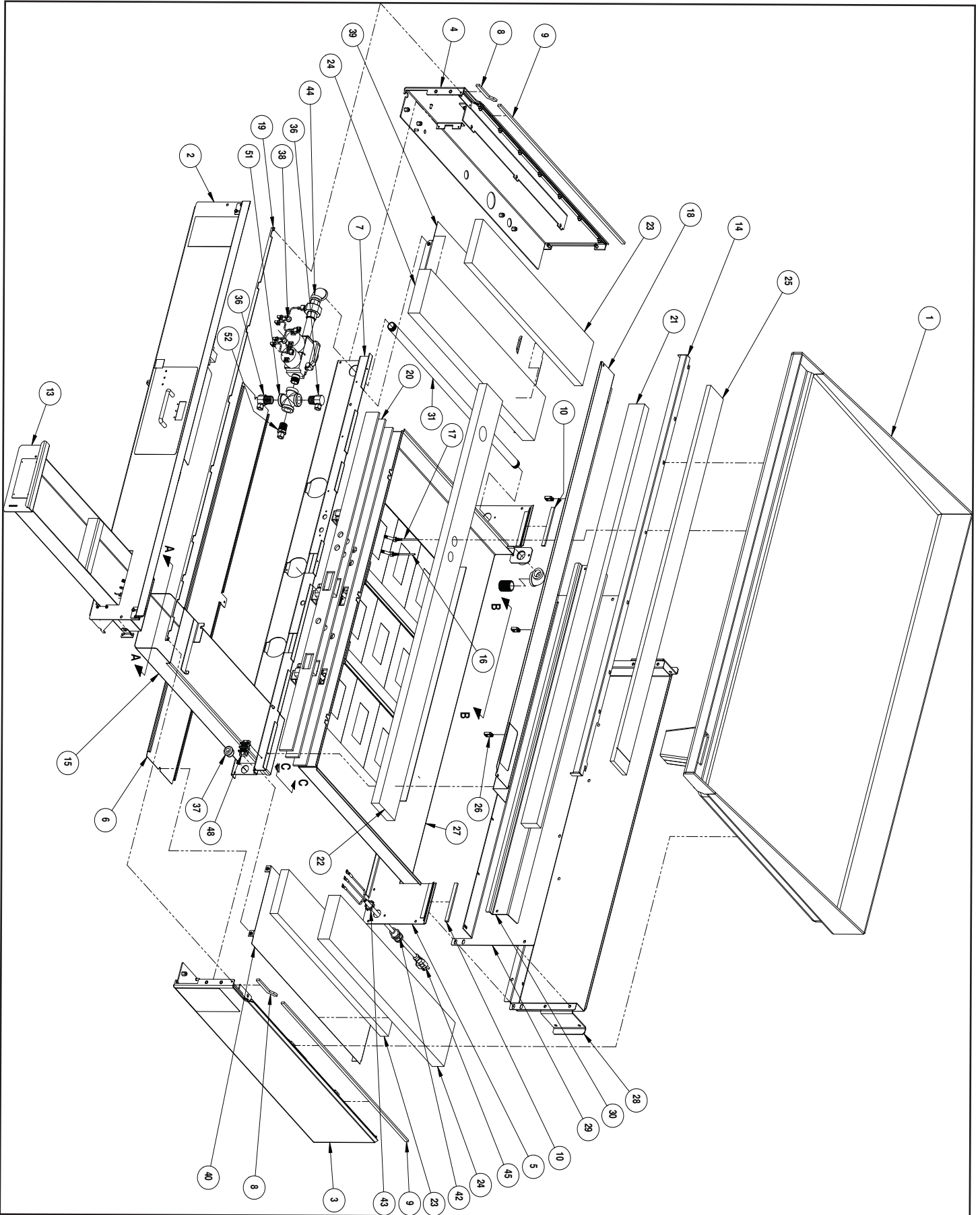
**FOOT CONFIGURATION**  
0 = None  
1 = Foot Adjusters  
2 = Casters 5"  
3 = Flanged Feet

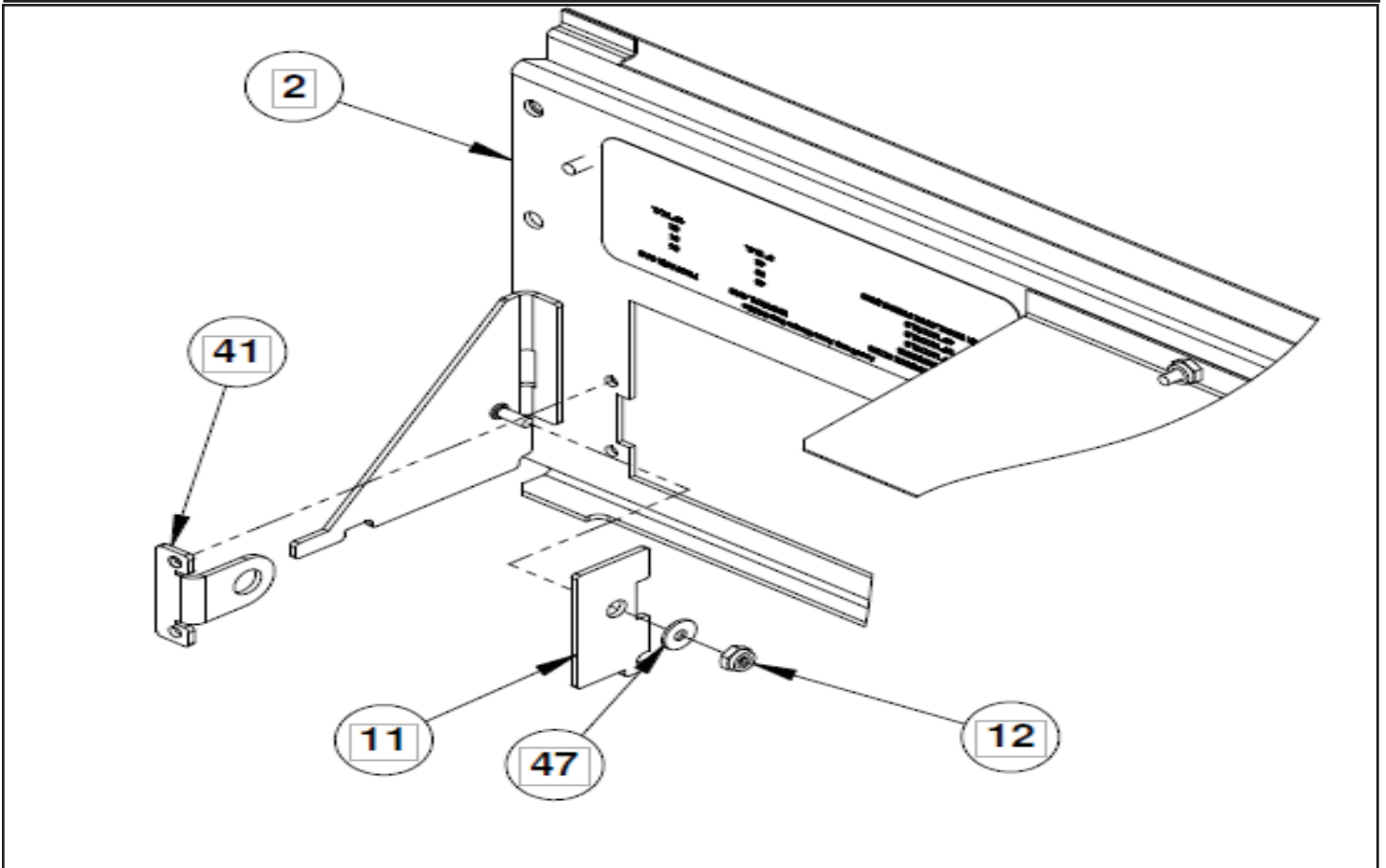
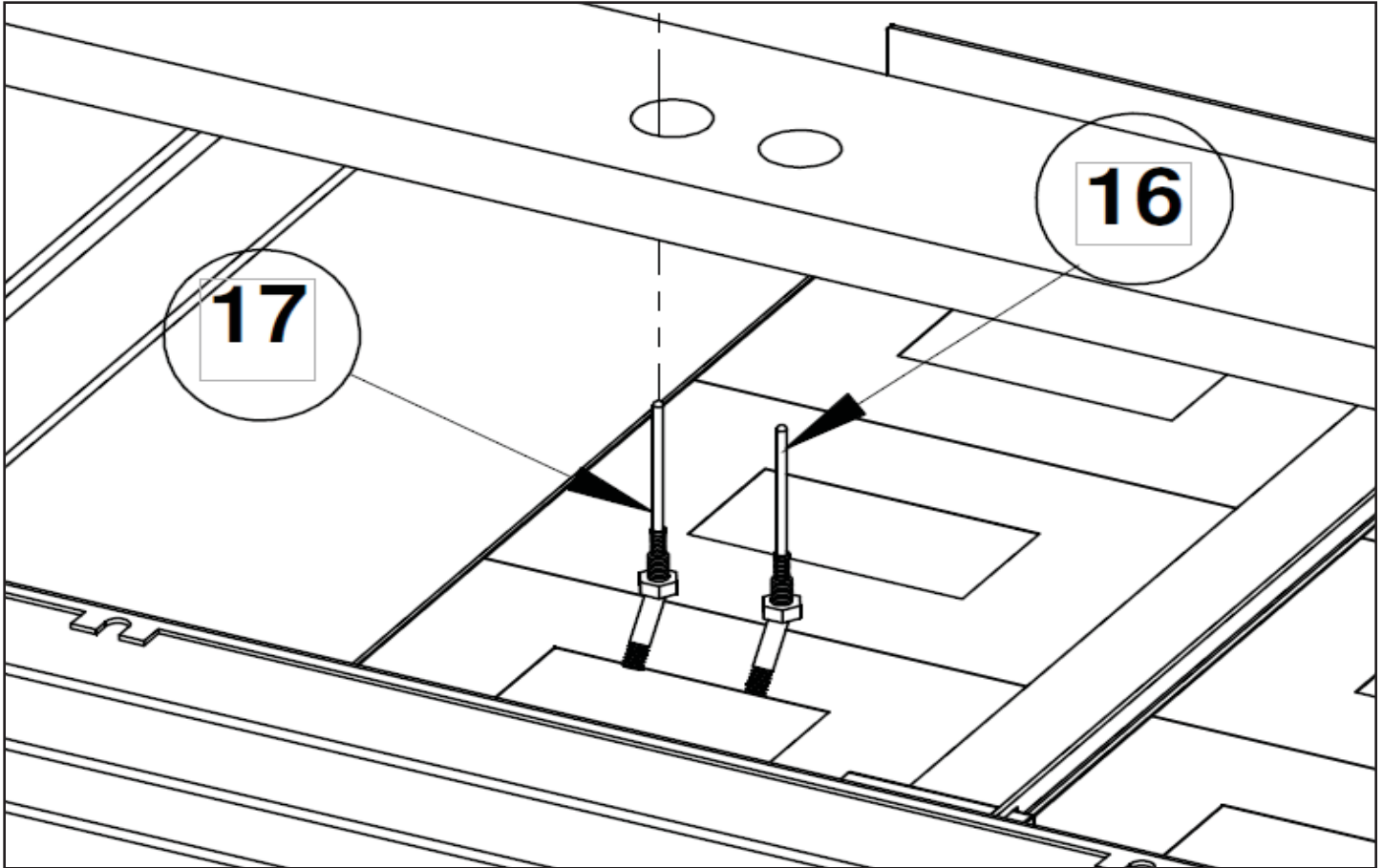
**MOUNTING/ACCESSORY CONFIGURATION** Ⓞ  
0 = No Legs or Stand (Electric Only)  
B = Center Control Panel & Baffled Locking Grease Can (Drop-In Only/Maritime)  
C = Center Control Panel (Drop-In Only)  
D = 3" Legs  
K = Left-Hand Control Panel & Baffled Locking Grease Can (Drop-In Only/Maritime)  
L = Left-Hand Control Panel (Drop-In Only)  
P = Premium Stand  
Q = Right-Hand Control Panel & Baffled Locking Grease Can (Drop-In Only/Maritime)  
R = Right-Hand Control Panel (Drop-In Only)  
S = Regular Stand  
T = 4" Legs  
U = Premium Stand With Extended Shelf  
V = Premium Stand With Tall Shelf  
W = 6 3/4" Legs  
X = 8" Legs

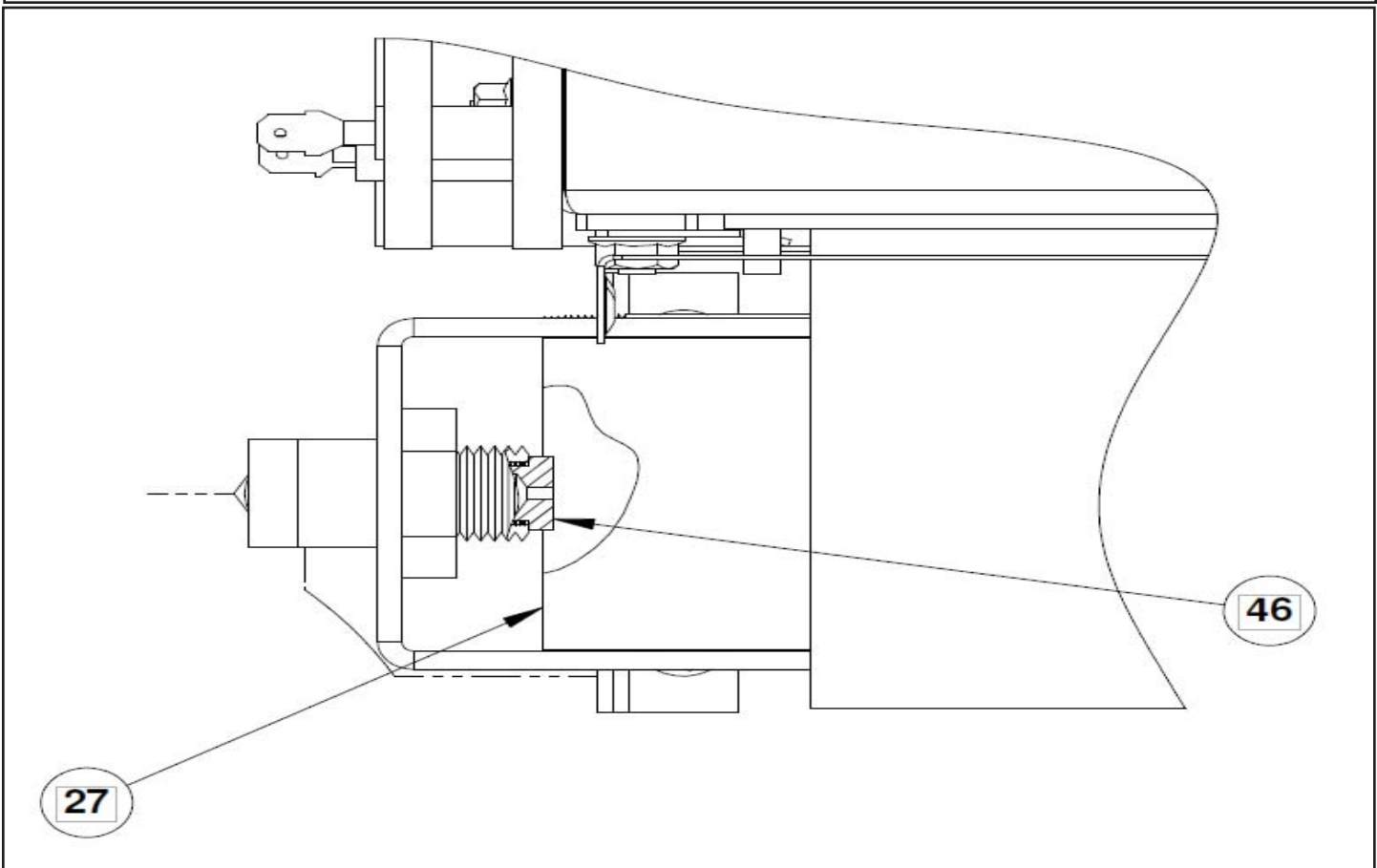
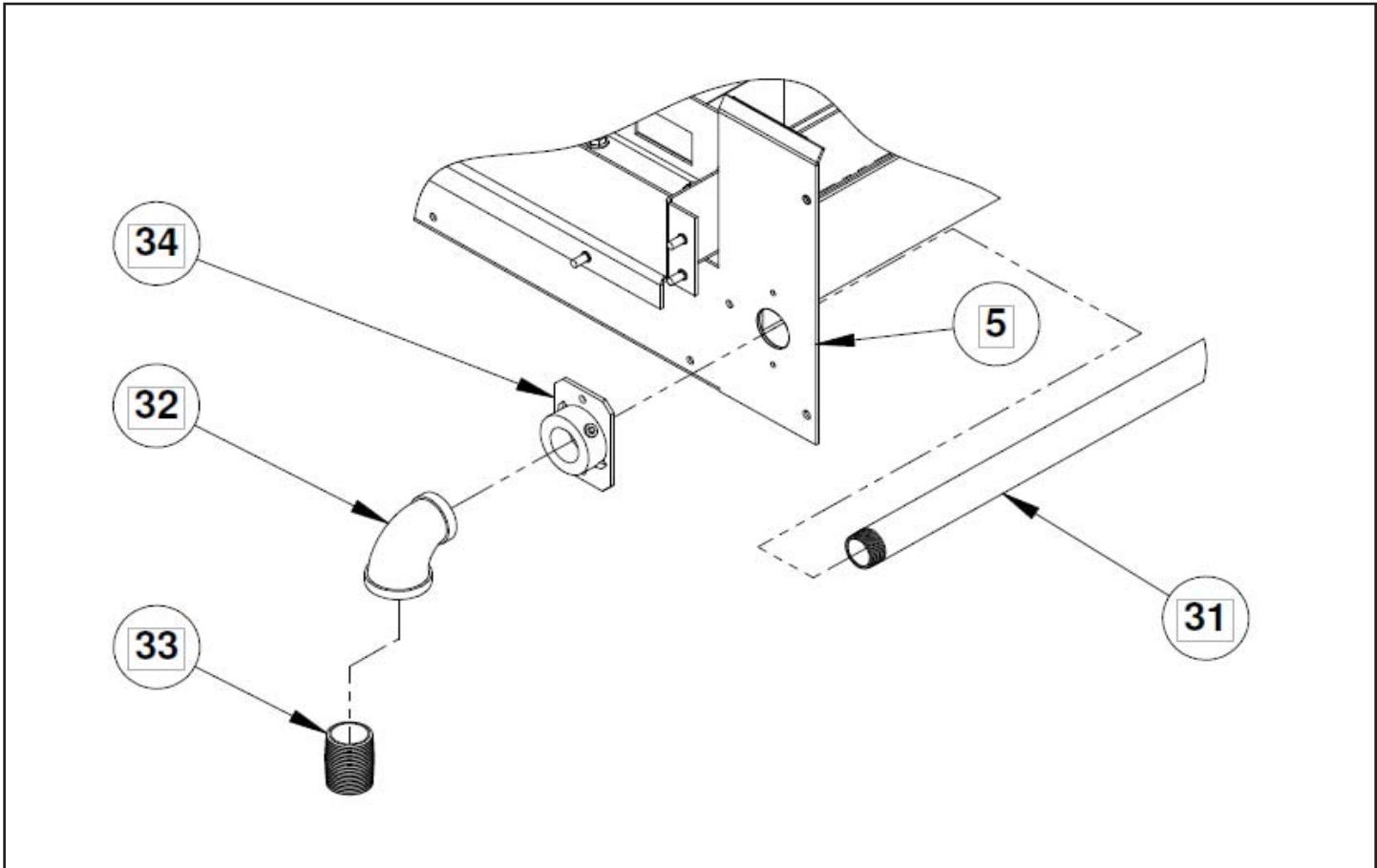
**SPECIAL CONFIGURATION**  
00 = None (Standard Drop-In Griddles)  
01 = RESERVED (In-N-Out)  
02 = Maritime Submarine Flush  
05 = Maritime Surface Ship Tabletop  
06 = Center Control Panel & Baffled Locking Grease Can (Drop-In Only/Navy)  
07 = RESERVED (White Castle Compact Drop-In)  
50 = None (G2 Standard Griddles)  
54 = Tamper-proof  
58 = Two 1.00" High Dividers. "A" = 13.25, "B" = 6.25 (W/O Hinged patty covers & Chain Maille - Elevation Burger)  
59 = Two 1.00" High Dividers. "A" = 13.25, "B" = 6.25 Hinged patty covers (Elevation Burger)  
60 = Two 1.00" High Dividers. "A" = 13.25, "B" = 6.25 Hinged patty covers & Chain Maille (Elevation Burger)  
61 = Two 1.00" High Dividers. "A" = 5.00, "B" = 5.00  
62 = One 1.00" High Divider. "A" = 5.00  
63 = One 1.00" High Divider. "B" = 5.00  
64 = Two 1.00" High Dividers. "A" = 8.00, "B" = 8.00  
67 = Lift Handles and Power Pack assembly.  
68 = Two Dividers STD Side Splash Profile. "A" = 12.50, "B" = 6.00  
69 = Two 1.00" High Dividers. "A" = 19.375, "B" = 8.00  
70 = One Divider STD Side Splash Profile. "A" = 12.00  
71 = One Divider STD Side Splash Profile. "B" = 10.00  
72 = One Weld Bead Divider. "A" = 11.94, Set presets to 315°F (default), 215°F (Preset 1), 315°F (Preset 1).  
Reference DWG AT2T-4988(-2)(Krystal Burger)  
73 = Two Weld Bead Dividers. "A" = 12.06, "B" = 12.06, Set presets to 315°F (default), 215°F (Preset 1), 315°F (Preset 1).  
Reference DWG AT2T-4988(-2)(Krystal Burger)  
74 = Three Weld Bead Dividers. "A" = 12.16, "B" = 12.16, "C" = 23.94, Set presets to 315°F (default), 215°F (Preset 1), 315°F (Preset 1).  
Reference DWG AT2T-4988(-2)(Krystal Burger)  
75 = One Divider STD Side Splash Profile. "A" = 10.00  
76 = Two 1.00" High Dividers. "A" = 6.50, "C" = 15.00  
77 = Two 1.00" High Dividers. "B" = 6.50, "D" = 15.00  
80 = Remote Timer  
AA = One Divider STD Side Splash Profile. See ETO for locations "A" or "B"  
AB = Two Dividers STD Side Splash Profile. See ETO for locations "A", "B", "C" or "D"  
AC = Three Dividers STD Side Splash Profile. See ETO for locations "A", "B", "C" or "D"  
AD = One 1.00" High Divider. See ETO for locations "A" OR "B"  
AE = Two 1.00" High Dividers. See ETO for locations "A", "B", "C" or "D"  
AF = Three 1.00" High Dividers. See ETO for locations "A", "B", "C" or "D"  
AG = One Weld Bead Divider. See ETO for locations "A" OR "B"  
AH = Two Weld Bead Dividers. See ETO for locations "A", "B", "C" or "D"  
AJ = Three Weld Bead Dividers. See ETO for locations "A", "B", "C" or "D"  
AK = Dam  
BA = Set all three presets to 250°F. Reference DWG AT2T-4988(-1)  
BB = Set presets to 315°F (default), 215°F (Preset 1), 315°F (Preset 1). Reference DWG AT2T-4988(-2)  
BC = Set all three presets to 350°F. Reference DWG AT2T-4988(-3)  
BD = Set all three presets to 375°F. Reference DWG AT2T-4988(-4)  
BE = Set all three presets to 380°F. Reference DWG AT2T-4988(-5)  
BF = Set all three presets to 400°F. Reference DWG AT2T-4988(-6)  
ET = Custom. See ETO for details.

Unless otherwise specified:		Name		Date	AccuTemp Products, Inc. 8015 N. Clinton Park Fort Wayne, IN 46825
Dimensions: Inches	Drawn	C. SUTZ	02/21/14		
Threads: 1/4"	Checked	J. P. HALL	02/21/14		
Angular: 45°	Project Eng.	A. SHER	02/21/14		
2 Phase Decimal & 10	Material:				
11.5 4x50					
3 Phase Decimal & 100					
1.0 4x50					
1/25 Micro Inches					
GB&T 22540:194-04					
Comments:	Finish:				
Do Not Scale Drawing					











ITEM #	PART NUMBER	DESCRIPTION
1.	AT2A-3556-1	GRIDDLE CHMBR ASSY 24" B MODEL
1.	AT2A-3556-4	GRIDDLE CHMBR ASSY 24" A MODEL
1.	AT2A-3556-2	GRIDDLE CHMBR ASSY 36" B MODEL
1.	AT2A-3556-5	GRIDDLE CHMBR ASSY 36" A MODEL
1.	AT2A-3556-3	GRIDDLE CHMBR ASSY 48" B MODEL
1.	AT2A-3556-6	GRIDDLE CHMBR ASSY 48" A MODEL
2.	AT2A-4788-1	CONTROL PANEL 24" A+B MODEL
2.	AT2A-4788-2	CONTROL PANEL 36" A+B MODEL
2.	AT2A-4788-3	CONTROL PANEL 48" A+B MODEL
3.	AT2A-4965-1	ASSY, SIDE SUPPORT 24"+36"+48" B MODELS
3.	AT2A-4965-3	ASSY, SIDE SUPPORT 24"+36"+48" A MODELS
4.	AT2A-4965-2	ASSY, SIDE SUPPORT 24"+36"+48" B MODELS
4.	AT2A-4965-4	ASSY, SIDE SUPPORT 24"+36"+48" A MODELS
5.	AT2A-4769-4	PANEL ASSEMBLY, REAR 24" A+B MODEL
5.	AT2A-4769-5	PANEL ASSEMBLY, REAR 36" A+B MODEL
5.	AT2A-4769-6	PANEL ASSEMBLY, REAR 48" A+B MODEL
6.	AT2M-4897-1	PANEL, ENCLOSURE BOTTOM 24" A+B MODEL
6	AT2M-4897-2	PANEL, ENCLOSURE BOTTOM 36" A+B MODEL
6	AT2M-4897-3	PANEL, ENCLOSURE BOTTOM 48" A+B MODEL
7	AT2A-4745-1	SUPPORT ASSEMBLY, CENTER 24" A+B MODEL
7	AT2A-4745-2	SUPPORT ASSEMBLY, CENTER 36" A+B MODEL
7	AT2A-4745-3	SUPPORT ASSEMBLY, CENTER 48" A+B MODEL
8	AT0G-4820-1	FOAM, SILICONE, EXTREME-TEMPERATURE ALL MODELS
9	AT0G-4820-1	FOAM, SILICONE, EXTREME-TEMPERATURE ALL MODELS
10	AT0G-4820-1	FOAM, SILICONE, EXTREME-TEMPERATURE ALL MODELS
11	AT2M-4787-1	LOCK, HINGE
12	AT0F-2691-21002	NUT, #6-32 NYLOC
13	AT2A-4937-1	ASSEMBLY, GREASE TRAY 24" A+B MODEL
13	AT2A-4937-2	ASSEMBLY, GREASE TRAY 36"+48" A+B MODEL
14	AT2M-4791-1	SHIELD, GREASE 24" A+B MODEL
14	AT2M-4791-2	SHIELD, GREASE 36" A+B MODEL
14	AT2M-4791-3	SHIELD, GREASE 48" A+B MODEL
15	AT2A-4885-1	GREASE CAN ASSY 24" A+B MODEL
15	AT2A-4885-2	GREASE CAN ASSY 36"+48" A+B MODEL
16	AT0E-2885-7	SENSOR, REPLACEABLE 100Ω DIGITAL HI-LIMIT BOARD
17	AT0E-2885-8	SENSOR, REPLACEABLE 1000Ω DIGITAL CONTROL BOARD





ITEM #	PART NUMBER	DESCRIPTION
18	AT2M-4884-1	SHIELD, HEAT 24" A+B MODEL
18	AT2M-4884-2	SHIELD, HEAT 36" A+B MODEL
18	AT2M-4884-3	SHIELD, HEAT 48" A+B MODEL
19	AT2M-4964-1	ANGLE, SIDE SUPPORT BRACE 24" A+B MODEL
19	AT2M-4964-2	ANGLE, SIDE SUPPORT BRACE 36" A+B MODEL
19	AT2M-4964-3	ANGLE, SIDE SUPPORT BRACE 48" A+B MODEL
20	AT2I-4880-1	INSULATION, G2 GRIDDLE 24" A+B MODEL
20	AT2I-4880-2	INSULATION, G2 GRIDDLE 36" A+B MODEL
20	AT2I-4880-3	INSULATION, G2 GRIDDLE 48" A+B MODEL
21	AT2I-4888-7	INSULATION, G2 GRIDDLE 24" A+B MODEL
21	AT2I-4888-8	INSULATION, G2 GRIDDLE 36" A+B MODEL
21	AT2I-4888-9	INSULATION, G2 GRIDDLE 48" A+B MODEL
22	AT2I-4888-22	INSULATION, G2 GRIDDLE 24" A+B MODEL
22	AT2I-4888-23	INSULATION, G2 GRIDDLE 36" A+B MODEL
22	AT2I-4888-24	INSULATION, G2 GRIDDLE 48" A+B MODEL
23	AT2I-4888-31	INSULATION, G2 GRIDDLE 24" B MODEL
23	AT2I-4888-34	INSULATION, G2 GRIDDLE 24" A MODEL
23	AT2I-4888-35	INSULATION, G2 GRIDDLE 36"+48" A MODEL
23	AT2I-4888-38	INSULATION, G2 GRIDDLE 36"+48" B MODEL
24	AT2I-4888-32	INSULATION, G2 GRIDDLE 24" B MODEL
24	AT2I-4888-33	INSULATION, G2 GRIDDLE 24" A MODEL
24	AT2I-4888-36	INSULATION, G2 GRIDDLE 36"+48" A MODEL
24	AT2I-4888-47	INSULATION, G2 GRIDDLE 36"+48" B MODEL
25	AT2I-4888-43	INSULATION, G2 GRIDDLE 24" A+B MODEL
25	AT2I-4888-44	INSULATION, G2 GRIDDLE 36" A+B MODEL
25	AT2I-4888-45	INSULATION, G2 GRIDDLE 48" A+B MODEL
26	AT0E-4618-1	WIRE SADDLE, LOCKING
27	AT2A-4950-1	ASSEMBLY, COMBUSTION CHAMBER 24" B MODEL
27	AT2A-4950-4	ASSEMBLY, COMBUSTION CHAMBER 24" A MODEL
27	AT2A-4950-2	ASSEMBLY, COMBUSTION CHAMBER 36" B MODEL
27	AT2A-4950-5	ASSEMBLY, COMBUSTION CHAMBER 36" A MODEL
27	AT2A-4950-3	ASSEMBLY, COMBUSTION CHAMBER 48" B MODEL

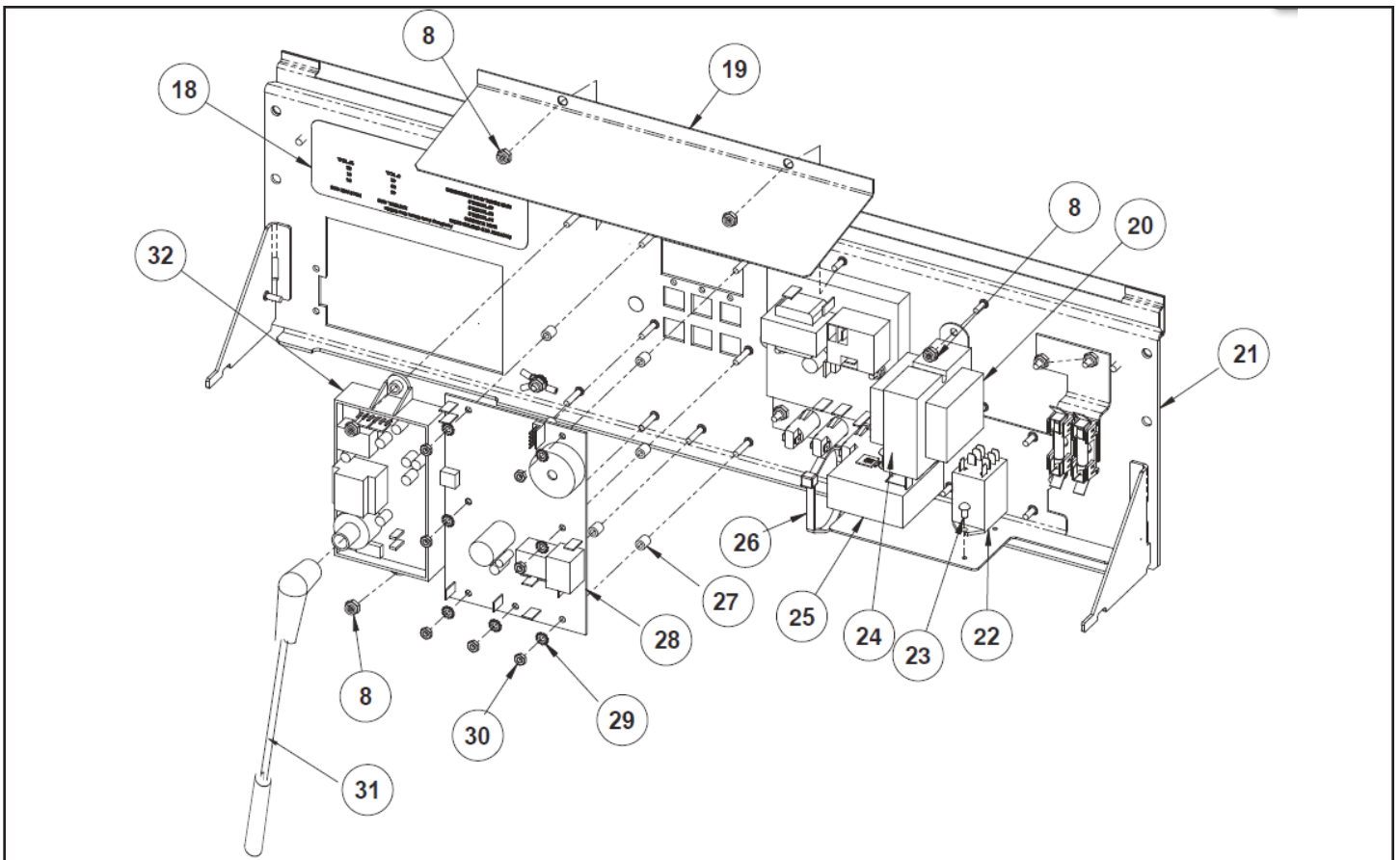
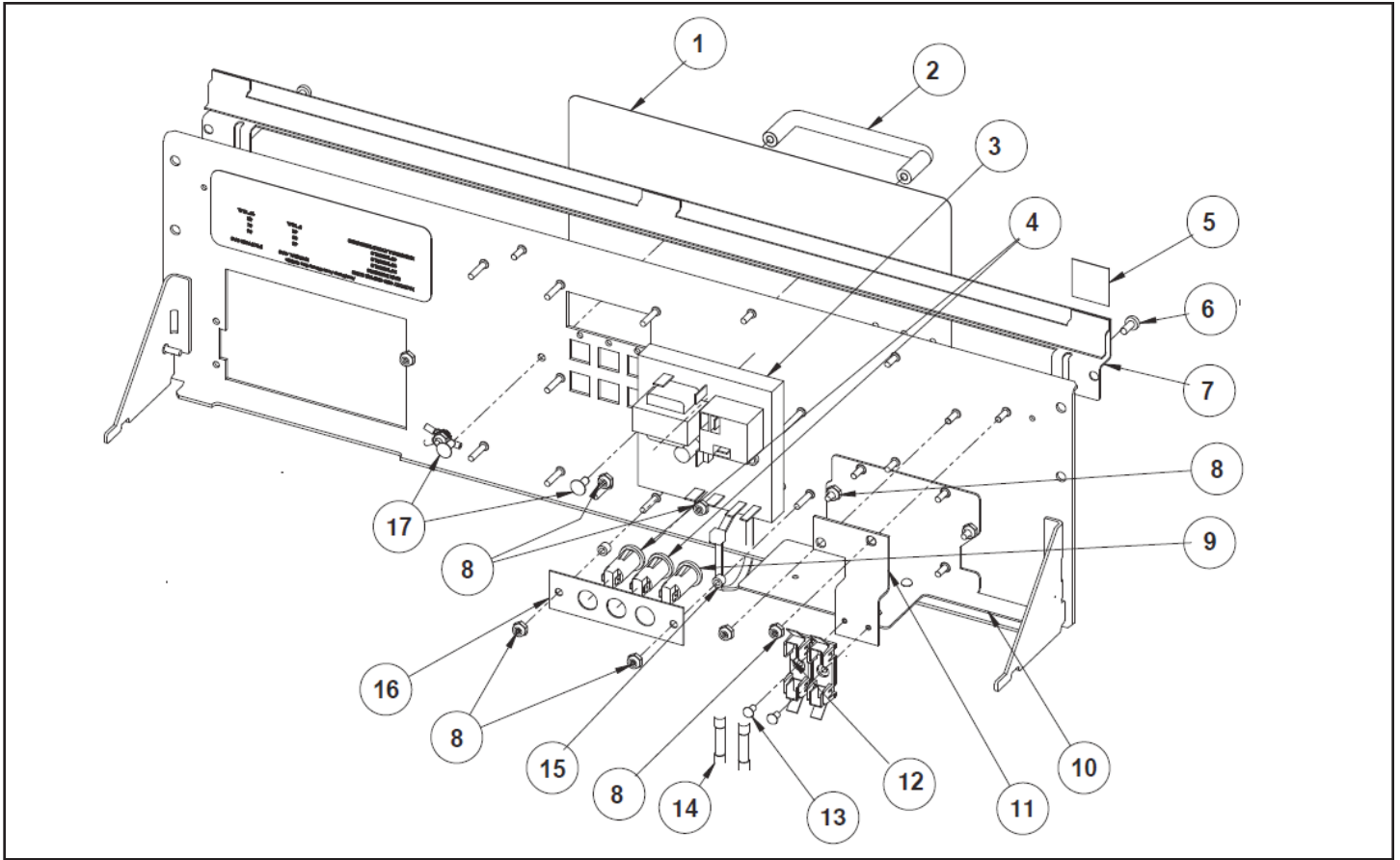


ITEM #	PART NUMBER	DESCRIPTION
27	AT2A-4950-6	ASSEMBLY, COMBUSTION CHAMBER 48" A MODEL
28	AT2A-3539-1	OUTER FLUE ASSEMBLY 24" A+B MODEL
28	AT2A-3539-2	OUTER FLUE ASSEMBLY 36" A+B MODEL
28	AT2A-3539-3	OUTER FLUE ASSEMBLY 48" A+B MODEL
29	AT2A-4954-1	INNER FLUE PANEL ASSY 24" A+B MODEL
29	AT2A-4954-2	INNER FLUE PANEL ASSY 36" A+B MODEL
29	AT2A-4954-3	INNER FLUE PANEL ASSY 48" A+B MODEL
30	AT2M-3538-1	BRACKET, DRAFT DIVERter 24" A+B MODEL
30	AT2M-3538-2	BRACKET, DRAFT DIVERter 36" A+B MODEL
30	AT2M-3538-3	BRACKET, DRAFT DIVERter 48" A+B MODEL
31	AT0P-3567-32240	1/2" NPT x 24" LONG BLACK IRON PIPE, ALL B MODELS
31	AT0P-3567-32300	1/2" NPT x 30" LONG BLACK IRON PIPE, ALL A MODELS
32	AT2P-2466-1	ELBOW, REDUCING, ALL MODELS
33	AT2P-2465-1	PIPE, 3/4" NPT CLOSE NIPPLE ALL MODELS
34	AT1A-3878-1	SHAFT COLLAR WELDMENT ALL MODELS
35	AT0P-2090-1	TEE 1/2 NPT SCH 40 24"+36" A+B MODEL
36	AT0P-2096-1	ELBOW 90° 1/2 NPT TO 3/8 TUBE ALL MODELS
37	AT0E-2945-1	HEYCO STRAIGHT-THRU ALL MODELS
38	AT0A-2736-9	MOV- TERMINALS ASSEMBLY 36V ALL MODELS
39	AT2M-4883-1	COVER, GAS GRIDDLE INSULATION 24" B MODEL
39	AT2M-4883-7	COVER, GAS GRIDDLE INSULATION 24" A MODEL
39	AT2M-4883-2	COVER, GAS GRIDDLE INSULATION 36" B MODEL
39	AT2M-4883-8	COVER, GAS GRIDDLE INSULATION 36" A MODEL
39	AT2M-4883-3	COVER, GAS GRIDDLE INSULATION 48" B MODEL
39	AT2M-4883-9	COVER, GAS GRIDDLE INSULATION 48" A MODEL
40	AT2M-4883-4	COVER, GAS GRIDDLE INSULATION 24" B MODEL
40	AT2M-4883-10	COVER, GAS GRIDDLE INSULATION 24" A MODEL
40	AT2M-4883-5	COVER, GAS GRIDDLE INSULATION 36" B MODEL
40	AT2M-4883-11	COVER, GAS GRIDDLE INSULATION 36" A MODEL
40	AT2M-4883-6	COVER, GAS GRIDDLE INSULATION 48" B MODEL
40	AT2M-4883-12	COVER, GAS GRIDDLE INSULATION 48" A MODEL
41	AT2M-4736-1	EYE, PADLOCK, MARITIME/PRISON MODELS ONLY



ITEM #	PART NUMBER	DESCRIPTION
42	AT0E-1049-3	CONNECTOR, 1/2" HUB STRAIN RELIEF ALL MODELS
43	AT0E-2086-1	CORD GRIP LOCKNUT ALL MODELS
44	AT2A-2850-5	GAS CONTROL VALVE ASSEMBLY NATURAL GAS ALL MODELS
45	AT0A-2911-1	AC POWER CORD ALL MODELS
46	AT0B-2888-45	ORIFICE 24" B+36" A MODELS
46	AT0B-2888-39	ORIFICE 24" A+48" A MODELS
46	AT0B-2888-42	ORIFICE 36" B+48" B MODELS
47	AT0F-1052-21002	WASHER #6 TYPE B PLAIN ALL MODELS
48	AT0E-1134-2	2 POSITION TERMINAL BLOCK ALL MODELS
49	AT2P-2105	18.5" LONG 3/8 FLEXTUBE COMP ENDS 48" A+B MODEL
50	AT2P-2104-1	3/8" FLEX TUBING 13.00" LG ALL MODELS
51	AT0P-2844-1	CROSS, 1/2 NPT SCH 40 48" A+B MODEL
52	AT0P-2097-2	COMPRESSION FITTING TO MALE PIPE 36"-48" A+B MODEL

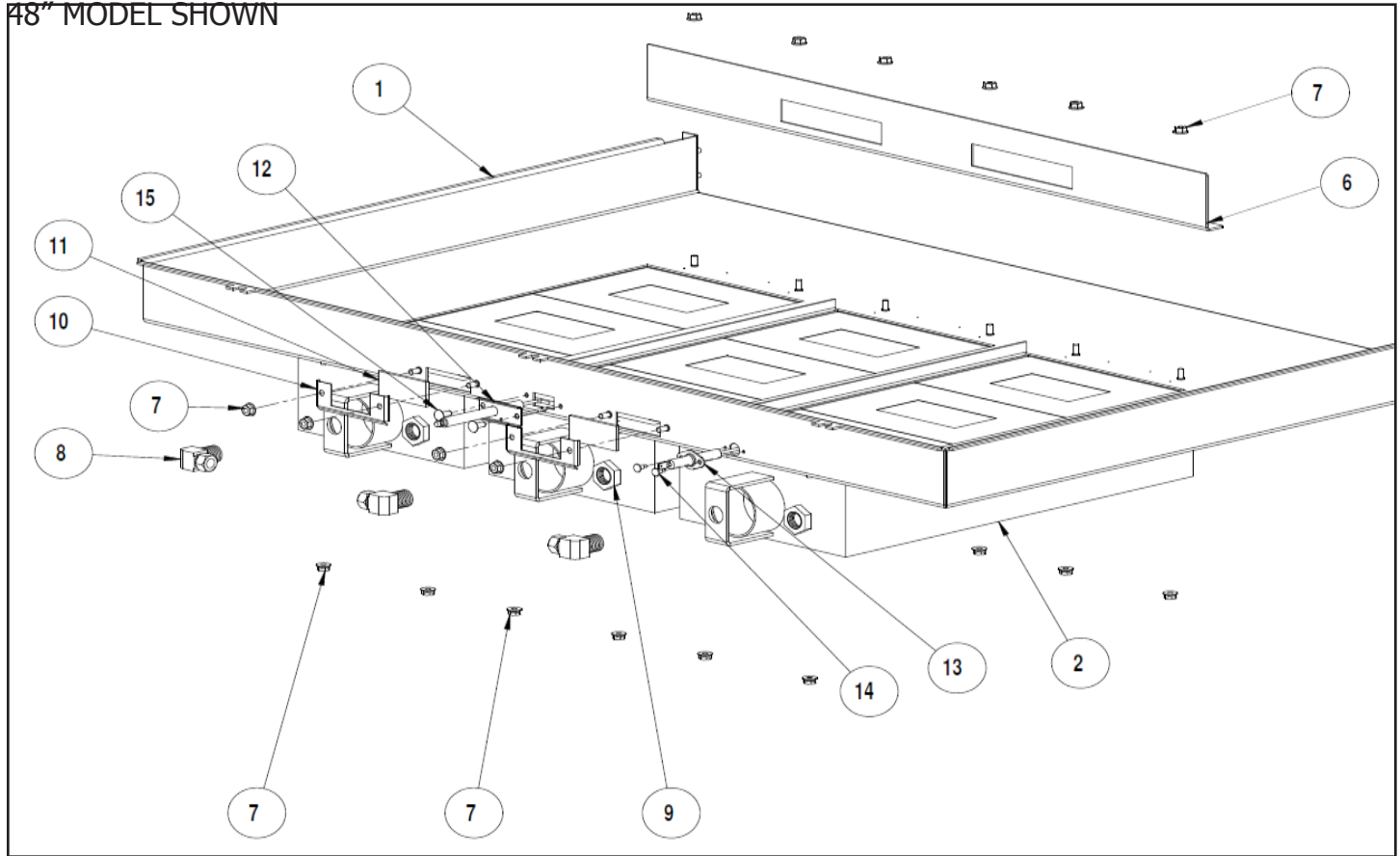
Control Panel Assembly



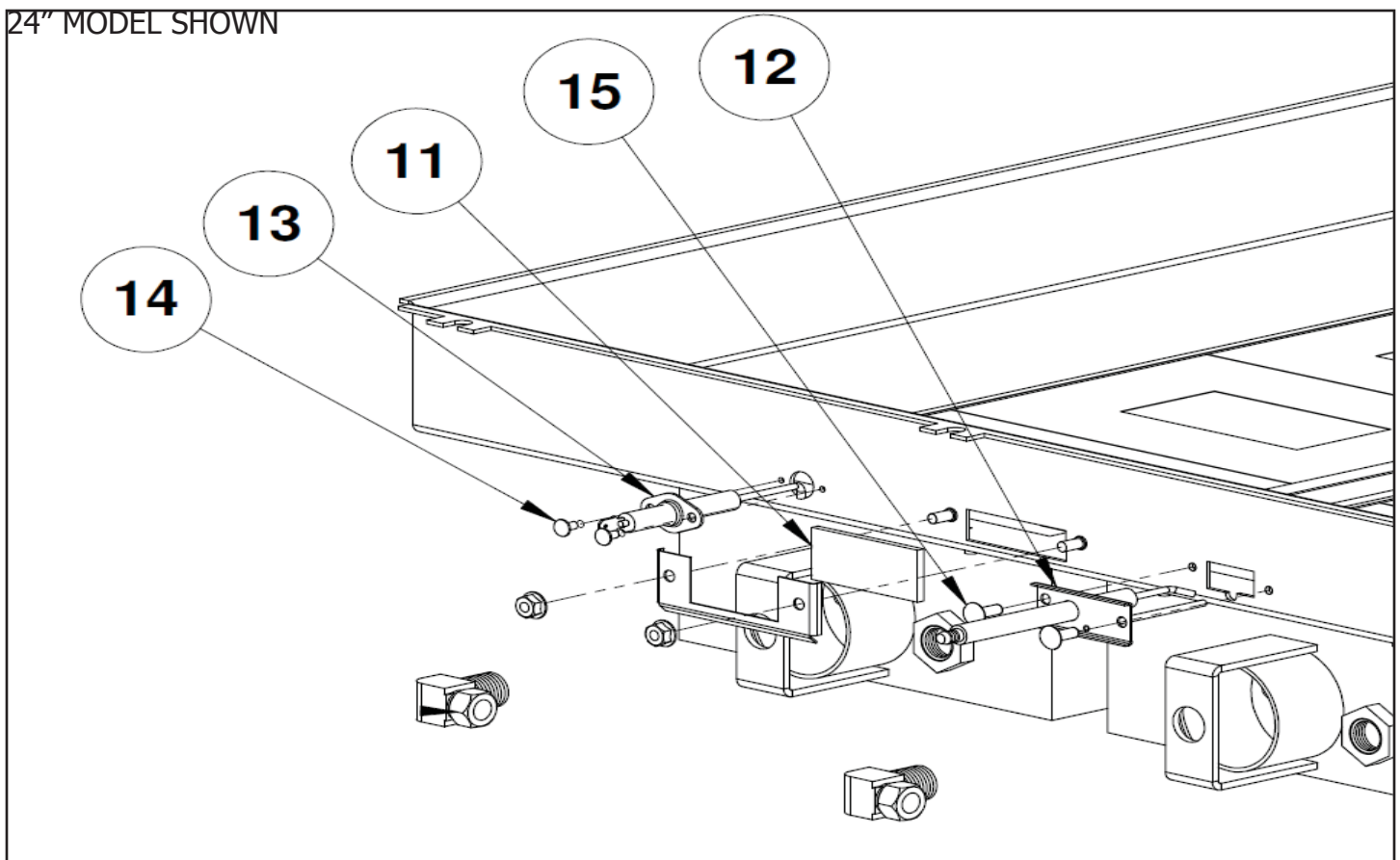


ITEM #	PART NUMBER	DESCRIPTION
1	AT2L-4557-1	OVERLAY, CONTROL PANEL, ALL MODELS
2	AT0H-4105-5	HANDLE, PULL ALL MODELS
3	AT0E-3880-1	HIGH LIMIT CONTROLLER, ALL MODELS
4	AT0E-1800-2	INDICATOR LAMP RED LED 28V, ALL MODELS
5	AT0L-3682-1	DECAL, ENERGY STAR, ALL MODELS
6	AT0F-3448-31036	SCREW, #8-32 X 3/8" DRL SPAN PAN HD MACH, ALL MODELS
7	AT2A-4896-1	ASSY, WATER DEFLECTOR SHIELD 24" A+B MODEL
7	AT2A-4896-2	ASSY, WATER DEFLECTOR SHIELD 36" A+B MODEL
7	AT2A-4896-3	ASSY, WATER DEFLECTOR SHIELD 48" A+B MODEL
8	AT0F-2691-21002	NUT, #6-32 NYLOC
9	AT0E-3880-1	INDICATOR LAMP RED LED 28V, ALL MODELS
10	AT2M-4801-1	GUARD, TRANSFORMER, ALL MODELS
11	AT2M-2820-2	BRACKET FUSE HOLDER, ALL MODELS
12	AT0E-2708-1	3AG OMNI-BLOK FUSE BLOCK 2 POS, ALL MODELS
13	AT0F-2755-21020	SCREW, #6-32UNC X 1/4 PHILIPS ROUND HEAD MACHINE
14	AT0E-2731-4	FUSE 3/4 AMP 250V SLO-BLO, ALL MODELS
15	AT0H-3623-2	SPACER, ROUND CLEAR HOLE
16	AT1M-3607-1	BRACKET, INDICATOR LAMP, ALL MODELS
17	AT0F-1046-31030	SCREW, #8-32 x 3/8 PHLP TRUSS HEAD
18	AT2L-2014-2	SUPPLEMENTAL DATA TAG, ALL MODELS
19	AT2M-4893-1	SHIELD, SPLASH, ALL MODELS
20	AT0A-2779-5	TRANSFORMER ASSEMBLY, ALL MODELS
21	AT2A-4789-7	WELD ASSEMBLY, CONTROL PANEL 24" A+B MODEL
21	AT2A-4789-8	WELD ASSEMBLY, CONTROL PANEL 36" A+B MODEL
21	AT2A-4789-9	WELD ASSEMBLY, CONTROL PANEL 48" A+B MODEL
22	AT0E-2825-6	GENERAL PURPOSE RELAY 24VDC
23	AT0F-2755-21020	SCREW, #6-32UNC X 1/4 PHILIPS ROUND HEAD MACHINE
24	AT0E-2662-5	TRANSFORMER
25	AT0E-2500-3	TIMER RELAY
26	AT0E-2580-1	CABLE TIE
27	AT0H-3623-1	SPACER, ROUND CLEAR HOLE
28	AT0E-3625-5	CONTROLLER, QUANTEM SERIES 130
29	AT0F-2666-21006	WASHER, #6 EXTERNAL TOOTH LOCK
30	AT0F-3621-1	NUT, #6-32UNC-2B UNDERSIZE MACHINE SCREW HEX
31	AT2E-1804-4	IGNITION CABLE
32	AT2E-1807-1	IGNITION CONTROLLER

48" MODEL SHOWN

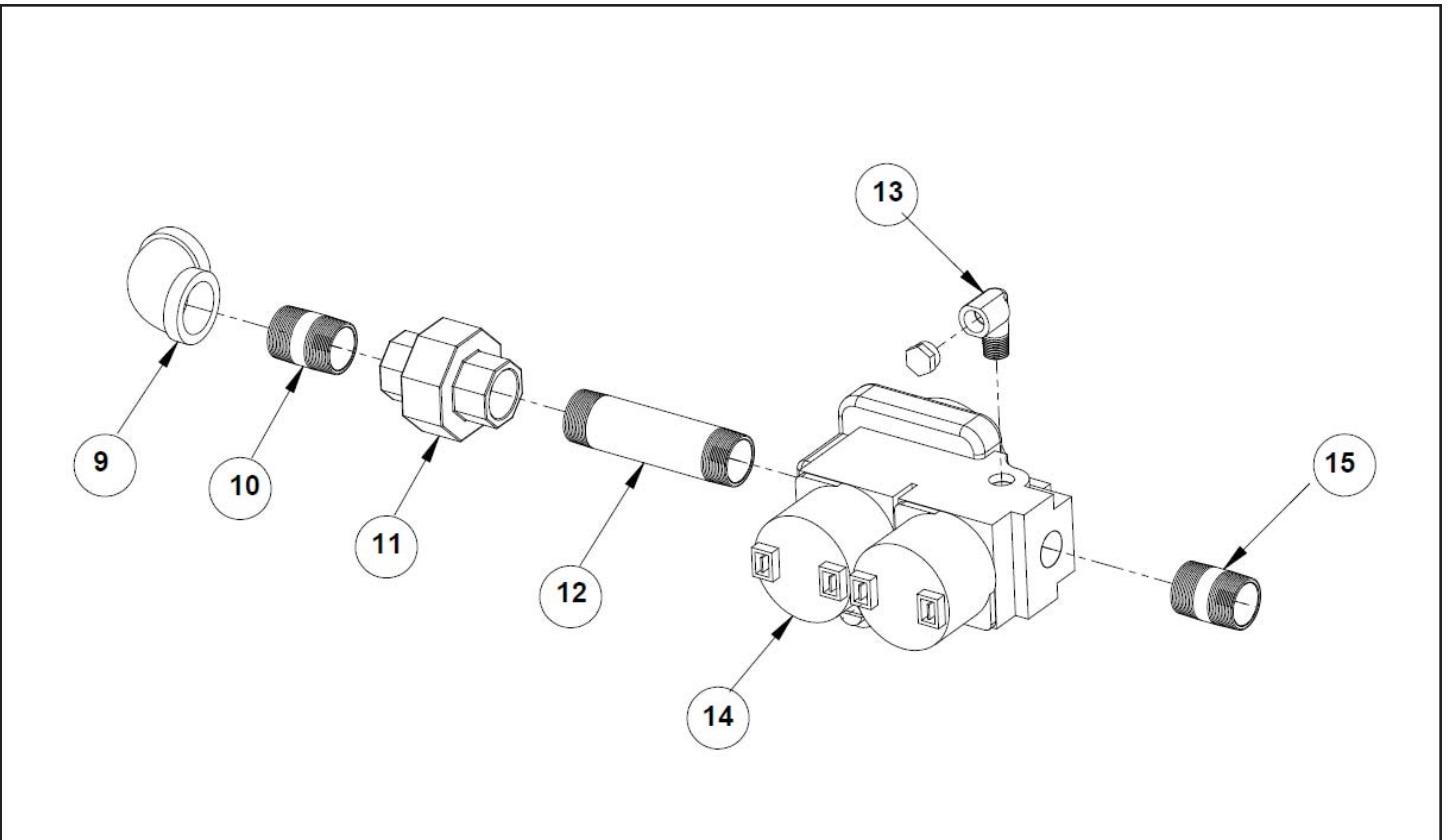
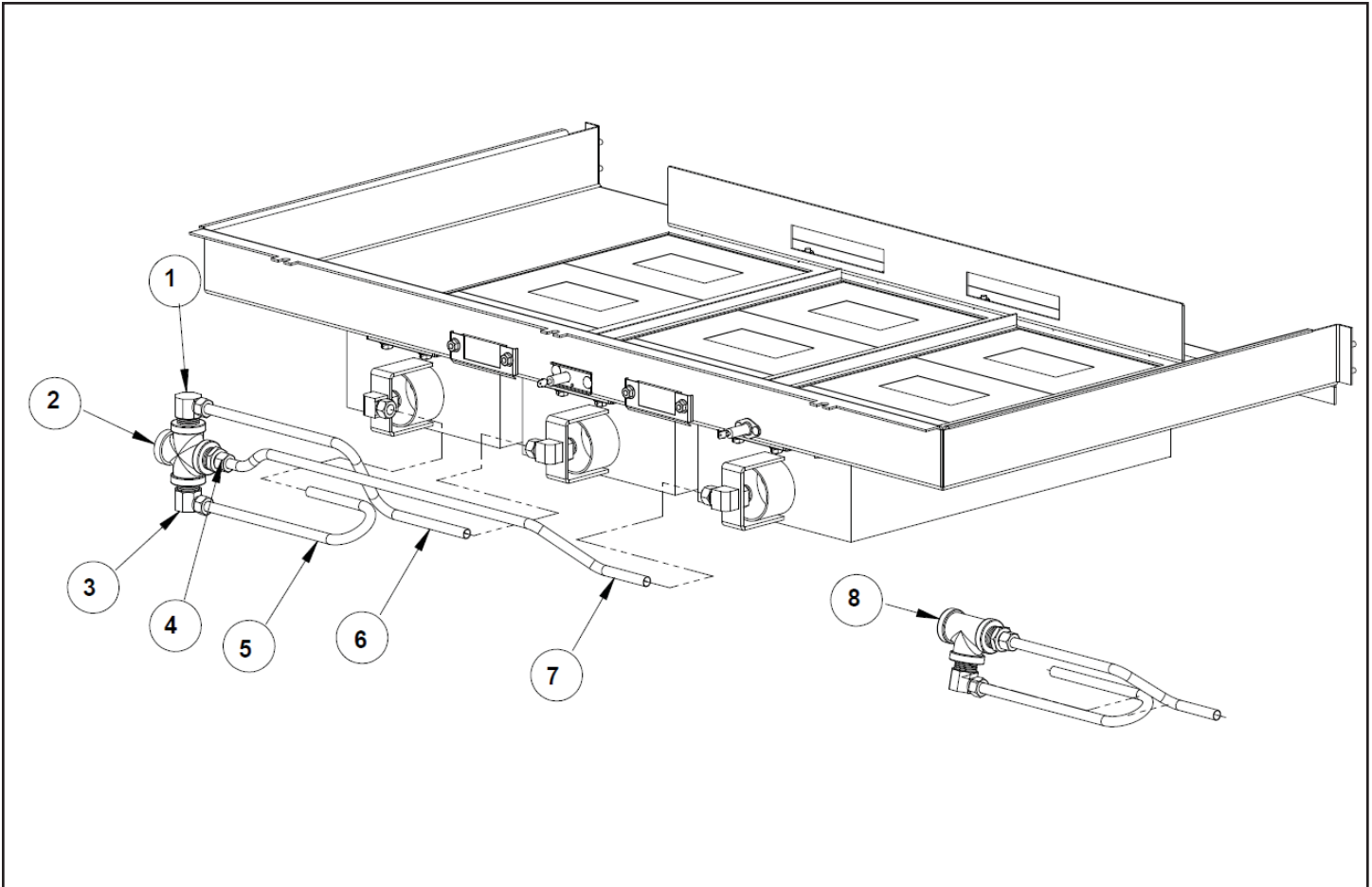


24" MODEL SHOWN





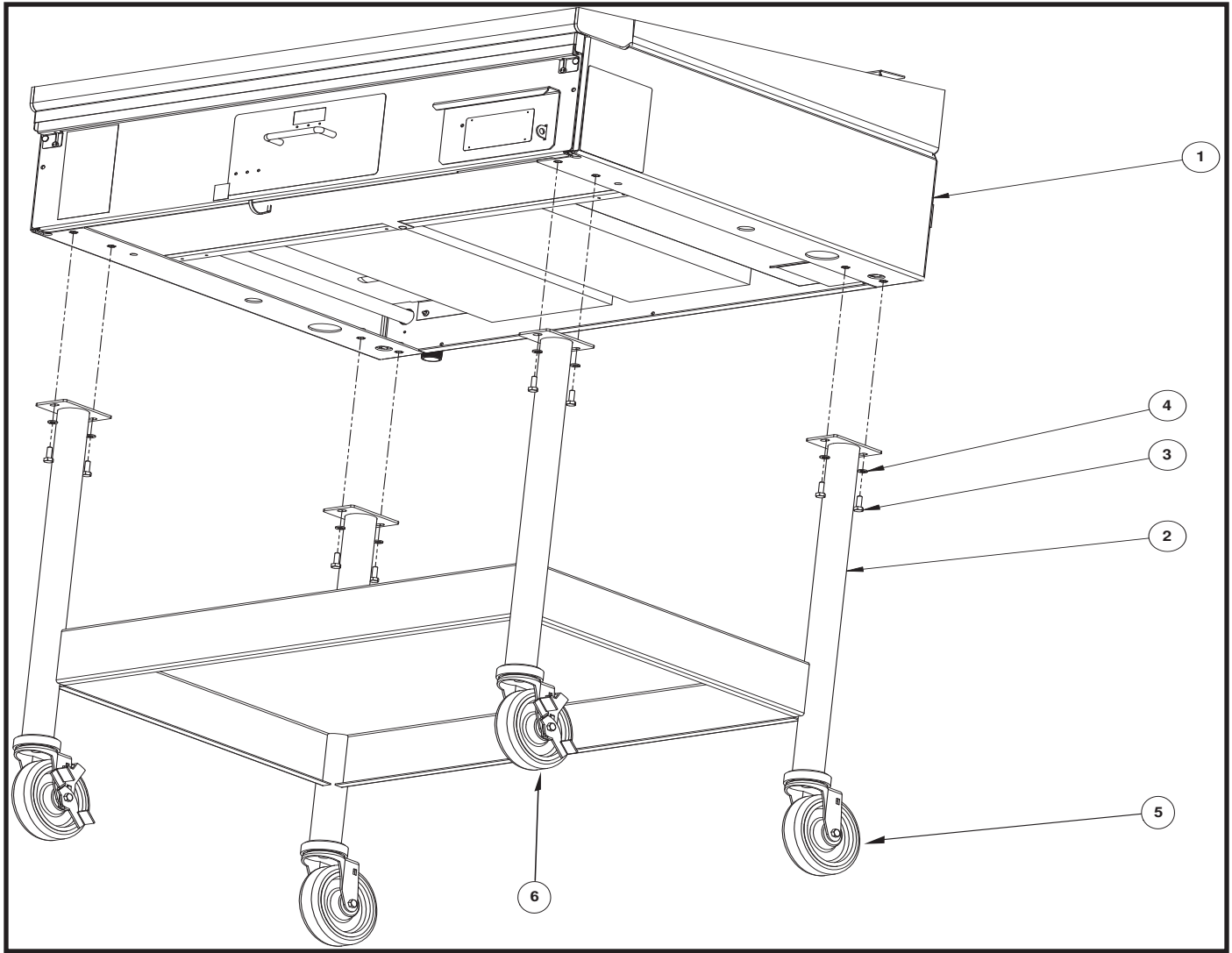
ITEM #	PART NUMBER	DESCRIPTION
1	AT2A-4952-1	ASSEMBLY, COMBUSTION CHAMBER WELD 24" B MODEL
1	AT2A-4952-2	ASSEMBLY, COMBUSTION CHAMBER WELD 36" B MODEL
1	AT2A-4952-3	ASSEMBLY, COMBUSTION CHAMBER WELD 48" B MODEL
1	AT2A-4952-4	ASSEMBLY, COMBUSTION CHAMBER WELD 24" A MODEL
1	AT2A-4952-5	ASSEMBLY, COMBUSTION CHAMBER WELD 36" A MODEL
1	AT2A-4952-6	ASSEMBLY, COMBUSTION CHAMBER WELD 48" A MODEL
2	AT2B-2131-2	20,000 BTU IR MAIN BURNER 24" A+B MODEL
2	AT2B-2099-2	30,000 BTU IR MAIN BURNER 36"-48" A+B MODEL
3	AT2M-2791-2	SPACER, BURNER
4	AT2M-2791-3	SPACER, BURNER
5	AT2M-4410-1	BRACKET, BURNER RETAINER
6	AT2M-3562-1	BARRIER, FLUE GAS 24" A+B MODEL
6	AT2M-3562-2	BARRIER, FLUE GAS 36" A+B MODEL
6	AT2M-3562-3	BARRIER, FLUE GAS 48" A+B MODEL
7	AT0F-1017-41002	NUT, #10-24UNC HEX SERRATED
8	AT0B-2891-1	ELBOW 90° COMPRESSION
9	AT0F-2909-1	NPT PIPE LOCKNUT
10	AT2M-3638-1	BRACKET, SIGHT GLASS
11	AT2H-3637-1	GLASS, SIGHT
12	AT2T-5035-1	IGNITOR REPLACEMENT KIT (INCLUDES IGNITOR AND CABLE)
13	AT2E-4717-1	SENSOR, FLAME
14	AT0F-1046-21030	SCREW, #6-32 x 3/8 PHLP TRUSS HEAD
15	AT0F-1046-41040	SCREW, #10-24 x 1/2 PHLP TRUSS HEAD



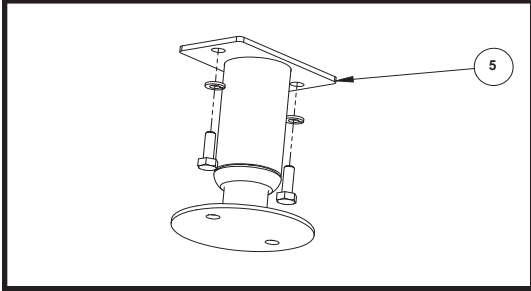
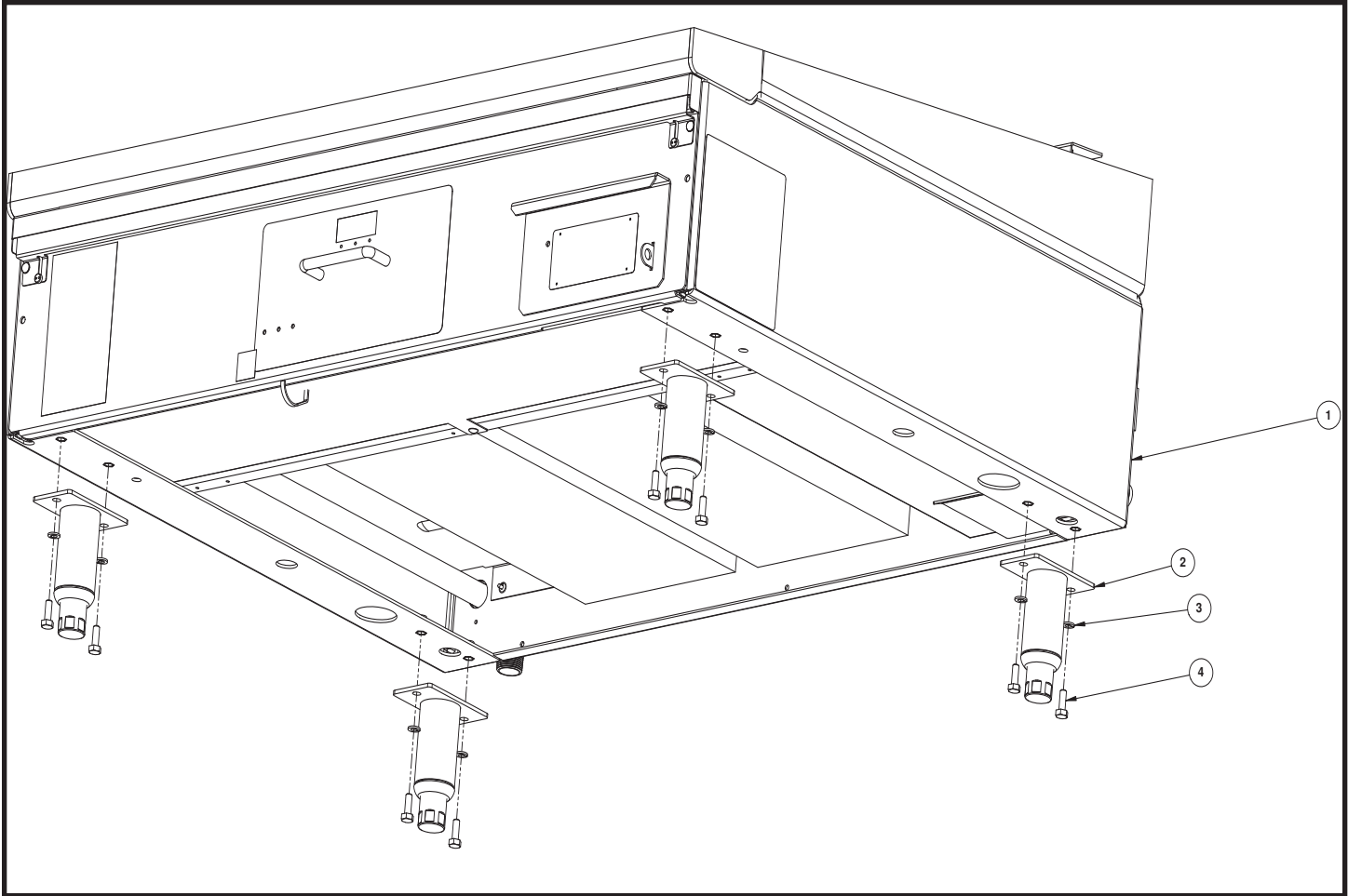




ITEM #	PART NUMBER	DESCRIPTION
1	AT0P-2096-1	ELBOW 90° 1/2 NPT TO 3/8 TUBE
2	AT0P-2844-1	CROSS, 1/2 NPT SCH 40
3	AT0P-2096-1	ELBOW 90° 1/2 NPT TO 3/8 TUBE
4	AT0P-2097-2	COMPRESSION FITTING TO MALE PIPE
5	AT2P-2104-1	3/8" FLEX TUBING 13.00" LG 24"-36"-48" MODELS
6	AT2P-2104-1	3/8" FLEX TUBING 13.00" LG 24"-36"-48" MODELS
7	AT2P-2105	19" LONG 3/8 FLEXTUBE COMP ENDS 48" MODEL ONLY
8	AT0P-2090-1	TEE 1/2 NPT SCH 40
9	AT0P-2972-1	ELBOW, 1/2 NPT SCH 40 90°
10	AT0P-3567-32000	NIPPLE, CLOSE, BLACK IRON-1/2" NPT
11	AT0P-2843-1	UNION BLACK IRON
12	AT0P-3567-32030	NIPPLE, CLOSE, BLACK IRON-1/2" NPT 3" LONG
13	AT0P-2849-3	STREET ELBOW 90° 1/8" NPT
14	AT2E-1806-2	CONTROL VALVE, GAS 5" W.C. NATURAL GAS
15	AT0P-3567-32000	NIPPLE, CLOSE, BLACK IRON-1/2" NPT



ITEM #	PART NUMBER	DESCRIPTION
1	EGF/GGF-G2	Accu-Steam Griddle
2	AT2A-2896-1	24" STAND ASSEMBLY
2	AT2A-2896-2	36" STAND ASSEMBLY
2	AT2A-2896-3	48" STAND ASSEMBLY
3	AT0F-2875-51060	SCREW, 1/4-20UNC X 3/4 HEX HEAD MACHINE
4	AT0F-1922-50000	WASHER, 1/4" HELICAL SPRING LOCK
5	AT0H-2479-3	5" CASTER W/O BRAKE-GRIDDLE STAND
6	AT0H-2479-4	5" CASTER W/BRAKE-GRIDDLE STAND



ITEM #	PART NUMBER	DESCRIPTION
1	EGF/GGF-G2	Accu-Steam Griddle
2	AT2A-3032-1	LEG ASSEMBLY 4"-BULLET FEET
2	AT2A-3032-2	LEG ASSEMBLY 8"-BULLET FEET (NOT SHOWN)
3	AT0F-1922-50000	WASHER, 1/4" HELICAL SPRING LOCK
4	AT0F-2875-51060	SCREW, 1/4-20UNC X 3/4 HEX HEAD MACHINE
5	AT2A-3032-3	LEG ASSEMBLY 4" - FLANGED FEET



An AccuTemp Products, Inc. Technical Service Technician is available:  
Monday thru Sunday, 7:00am to 7:00pm EST.



Toll Free	800 480-0415
Office	260 469-3040
Fax	260 469-3045
Email -Service	service@accutemp.net
Email-Parts	parts@accutemp.net
Web Site	www.accutemp.net