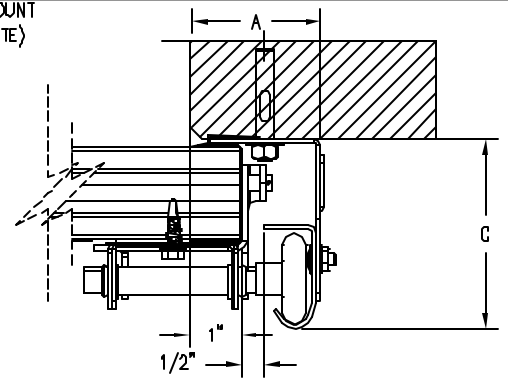
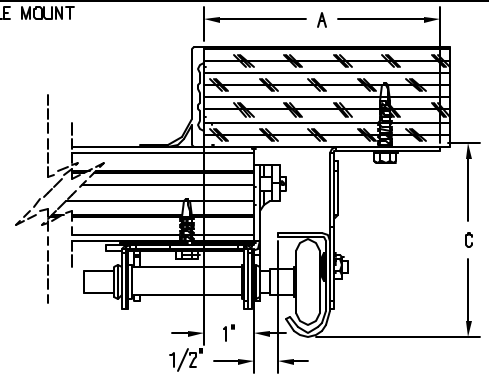


REVERSE ANGLE MOUNT
(STEEL OR CONCRETE)



CONTINUOUS ANGLE MOUNT
(WOOD)



	TRACK	SIDEROOM		SIDEROOM B	
	15" RADIUS	A	C	TUBE AXLE	SOLID SHAFT
REVERSE ANGLE (STEEL/CONCRETE)	2"	3 1/2"	4"	5"	10"
CONTINUOUS ANGLE {WOOD}	2"	4"	4"	5"	10"
REVERSE ANGLE (STEEL/CONCRETE)	3"				
CONTINUOUS ANGLE {WOOD}	3"				
AVAILABLE HEADROOM	MAXIMUM HIGH LIFT		BACKROOM		
UP TO 64"	HEADROOM - 10"		O.H.+30°-HL		
65" - 133"	HEADROOM - 13"				
134" - 180"	HEADROOM - 16"				

HL_SHOP

MDL.	QTY.	OPENING SIZE		OPERATION	RH	LH	TRACK		OPTION	PROJECT:	ARCHITECT:	CONTRACTOR:	DISTRIBUTOR:	DATE:	SHEET:	OF:	BY:	REF. #
		WIDTH "W"	HEIGHT "H"				2"	3"										



NOTE: Porvene Doors is not responsible for improper installation procedures, structural backing, and field inspections of the project itself.

APPROVAL SIGNATURE:

DATE:

MODEL 124: SECTIONAL DOOR, HIGH LIFT