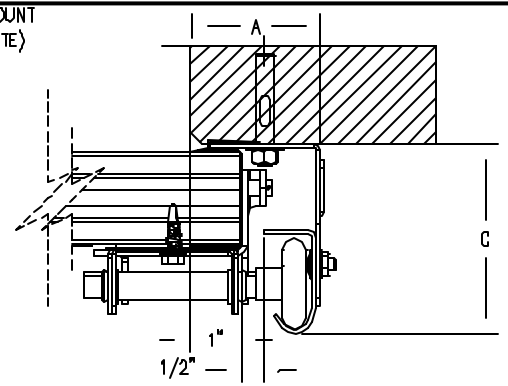


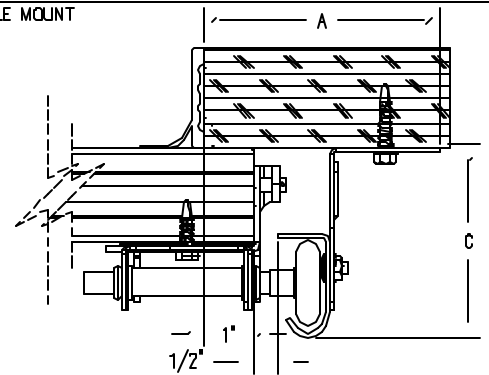
SECTION A - A

SECTION B - B

REVERSE ANGLE MOUNT
(STEEL OR CONCRETE)



CONTINUOUS ANGLE MOUNT
(WOOD)



	TRACK	SIDEROOM		SIDEROOM B	
	15" RADIUS	A	C	TUBE AXLE	SOLID SHAFT
REVERSE ANGLE (STEEL/CONCRETE)	2"	3 1/2"	4"	5"	10"
CONTINUOUS ANGLE (WOOD)	2"	4"	4"	5"	10"
REVERSE ANGLE (STEEL/CONCRETE)	3"				
CONTINUOUS ANGLE (WOOD)	3"				
		HEADROOM		BACKROOM	
		18"		O.H. + 18"	

STD_SHOP

MDL.	QTY.	OPENING SIZE		OPERATION	RH	LH	TRACK		OPTION
		WIDTH "W"	HEIGHT "H"				2"	3"	

PROJECT: _____
 ARCHITECT: _____
 CONTRACTOR: _____
 DISTRIBUTOR: _____
 DATE: _____ SHEET: _____ OF: _____ BY: _____ REF. # _____



NOTE: Porvene Doors is not responsible for improper installation procedures, structural backing, and field inspections of the project itself.

APPROVAL SIGNATURE: _____ DATE: _____

MODEL 124: SECTIONAL DOOR, STANARD LIFT