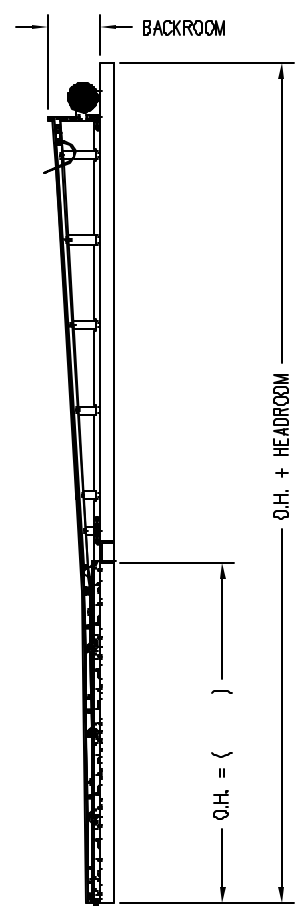
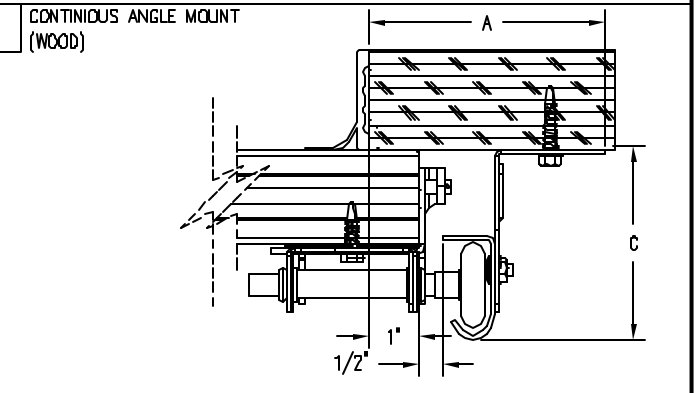
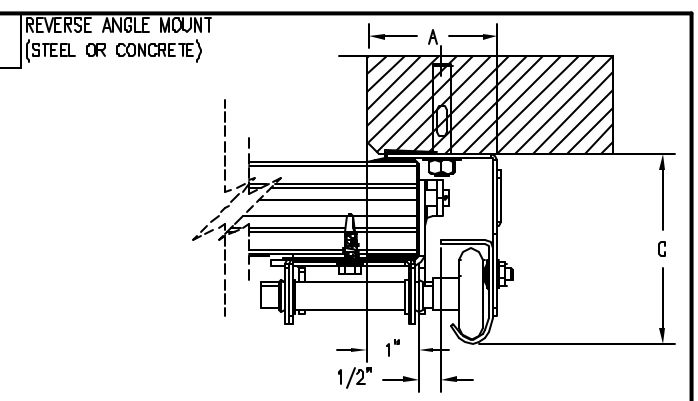


SECTION A-A



SECTION B-B



	TRACK	SIDEROOM		SIDEROOM B	
	15" RADIUS	A	C	TUBE AXLE	SOLID SHAFT
REVERSE ANGLE (STEEL/CONCRETE)	2"	3 1/2"	4"	5"	10"
CONTINUOUS ANGLE (WOOD)	2"	4"	4"	5"	10"
REVERSE ANGLE (STEEL/CONCRETE)	3"				
CONTINUOUS ANGLE (WOOD)	3"				
		HEADROOM		BACKROOM	
		O.H.+20"		VARIES	

VL\_SHOP

MDL.	QTY.	OPENING SIZE		OPERATION	RH	LH	TRACK		OPTION
		WIDTH "W"	HEIGHT "H"				2"	3"	

PROJECT: \_\_\_\_\_  
 ARCHITECT: \_\_\_\_\_  
 CONTRACTOR: \_\_\_\_\_  
 DISTRIBUTOR: \_\_\_\_\_  
 DATE: \_\_\_\_\_ SHEET: \_\_\_\_\_ OF: \_\_\_\_\_ BY: \_\_\_\_\_ REF. # \_\_\_\_\_



NOTE: Porvene Doors is not responsible for improper installation procedures, structural backing, and field inspections of the project itself.

APPROVAL SIGNATURE: \_\_\_\_\_ DATE: \_\_\_\_\_

MODEL 124: SECTIONAL DOOR, VERTICAL LIFT