

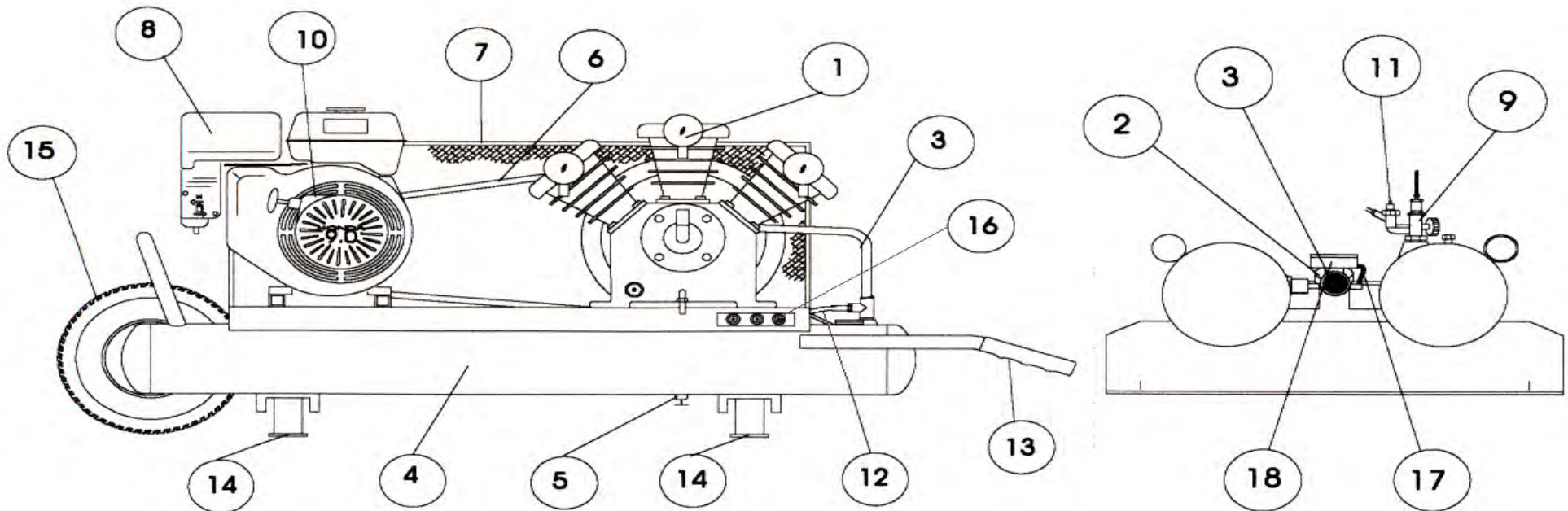
Eagle Air Compressor part breakdown sheet - Twin Tank Gas

| Item | Description                   | TT55G          | TT55GE         | TT90G          | TT90GE         |
|------|-------------------------------|----------------|----------------|----------------|----------------|
| 1    | Compressor w/ Flywheel        | PV02A          | PV02A          | PT03A          | PT03A          |
|      | Discharge Tube w/ Fittings    | TU-25-AL       | TU-25-AL       | TU-25-AL       | TU-25-AL       |
| 2    | Pressure Gauge (Tank)         | PG200-2.5SI1/4 | PG200-2.5SI1/4 | PG200-2.5SI1/4 | PG200-2.5SI1/4 |
| 3    | Regulator                     | R202-1/4       | R202-1/4       | R202-1/4       | R202-1/4       |
| 4    | Air Receiver                  | 10TT41X5-B     | 10TT41X5-B     | 10TT41X5-B     | 10TT41X5-B     |
| 5    | Drain Cock (2)                | DC1/4          | DC1/4          | DC1/4          | DC1/4          |
| 6    | V-Belt                        | A49            | A49            | A54            | A54            |
| 7    | Belt Guard                    | TT-GUARD       | TT-GUARD       | TT-GUARD       | TT-GUARD       |
| 8    | Engine - Honda                | GX160K1QX6     | GX160JQE6      | GX270QA6       | GX270QAE       |
| 9    | Pilot Unloader w/ Check Valve | LMV100F        | LMV100F        | LMV100F        | LMV100F        |
| 10   | Pulley - Engine               | MAL37          | MAL37          | MAL37          | MAL37          |
|      | Pulley Bushing - Engine       | LX3/4          | LX3/4          | LX1            | LX1            |
| 11   | Safety Valve                  | PSV1/4-150     | PSV1/4-150     | PSV1/4-150     | PSV1/4-150     |
| 12   | Engine Control w/ Cable       | TCP-48         | TCP-48         | TCLP-48        | TCLP-48        |
| 13   | Handle Grip                   | TT-GRIP (2)    | TT-GRIP (2)    | TT-GRIP (2)    | TT-GRIP (2)    |
| 14   | Vibration Damper              | TT-FOOT (4)    | TT-FOOT (4)    | TT-FOOT (4)    | TT-FOOT (4)    |
| 15   | Pneumatic Wheel               | TT-WHEEL       | TT-WHEEL       | TT-WHEEL       | TT-WHEEL       |
|      | Axle                          | WA1001         | WA1001         | WA1001         | WA1001         |
| 16   | Coupler                       | CPL-DUO        | CPL-DUO        | CPL-TRI        | CPL-TRI        |
| 17   | Hose Assembly - Regulator     | TT-HOSE        | TT-HOSE        | TT-HOSE        | TT-HOSE        |
| 18   | Pressure Gauge (Regulator)    | PT0160         | PT0160         | PT0160         | PT0160         |
|      | Eagle Compressor Oil          | EAOIL10        | EAOIL10        | EAOIL10        | EAOIL10        |

MODELS  
 TT55G  
 TT55G-P  
 TT55GE  
 TT90G  
 TT90G-P  
 TT90GE



\* For TT55G-P - substitute part #12 for TCSP-H-5565 \* For TT90G-P - substitute part #12 for TSCP-H-0811

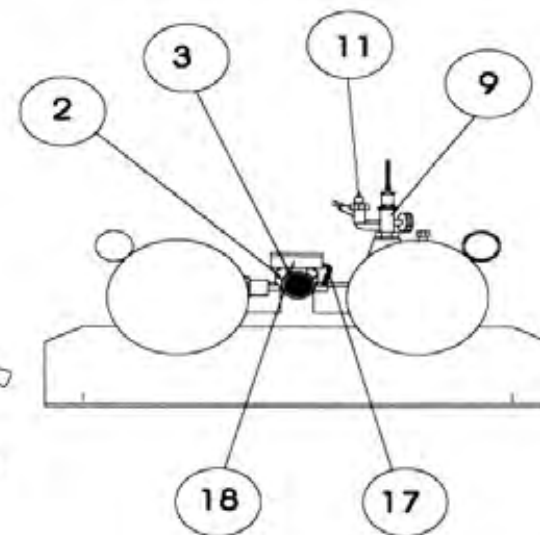
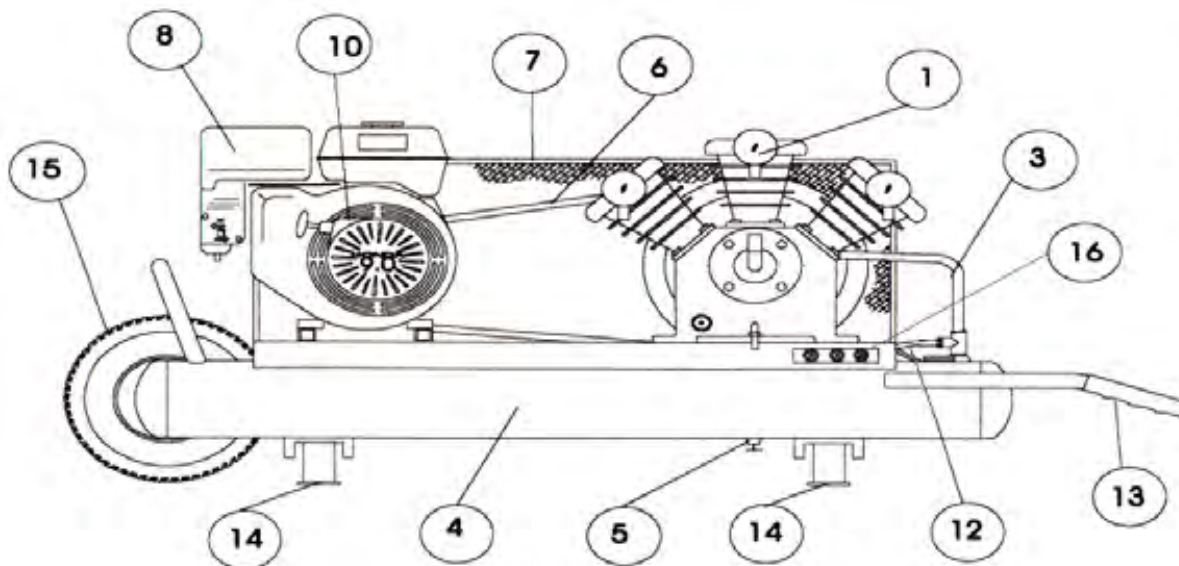


### Eagle Air Compressor part breakdown sheet - TT90GE

| Item | Description                   | TT90GE         |
|------|-------------------------------|----------------|
| 1    | Compressor w/ Flywheel        | PT03A          |
|      | Discharge Tube w/ Fittings    | TU-23-AL       |
| 2    | Pressure Gauge (Tank)         | PG200-2.5SI1/4 |
| 3    | Regulator                     | R202-1/4       |
| 4    | Air Receiver                  | 10TT41X5-B     |
| 5    | Drain Cock (2)                | DC1/4          |
| 6    | V-Belt                        | A54            |
| 7    | Belt Guard                    | TT-GUARD       |
| 8    | Engine - Honda                | GX270QAE       |
| 9    | Pilot Unloader w/ Check Valve | LMV100F        |
| 10   | Pulley - Engine               | MAL37          |
|      | Pulley Bushing - Engine       | LX1            |
| 11   | Safety Valve                  | PSV1/4-150     |
| 12   | Engine Control w/ Cable       | TCLP-48        |
| 13   | Handle Grip                   | TT-GRIP (2)    |
| 14   | Vibration Damper              | TT-FOOT (4)    |
| 15   | Pneumatic Wheel               | TT-WHEEL       |
|      | Axle                          | WA1001         |
| 16   | Coupler                       | CPL-TRI        |
| 17   | Hose Assembly - Regulator     | TT-HOSE        |
| 18   | Pressure Gauge (Regulator)    | PT0160         |
|      | Eagle Compressor Oil          | EAOIL10        |



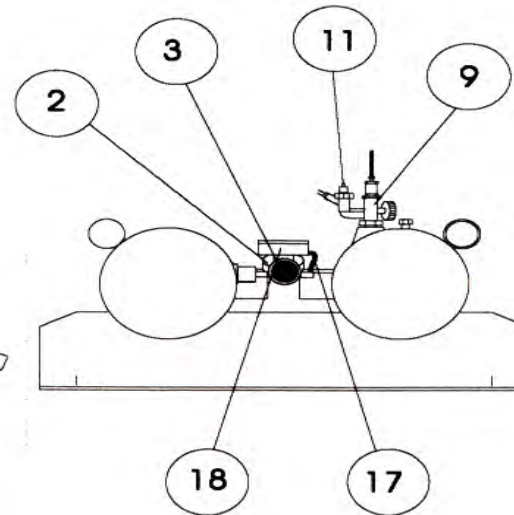
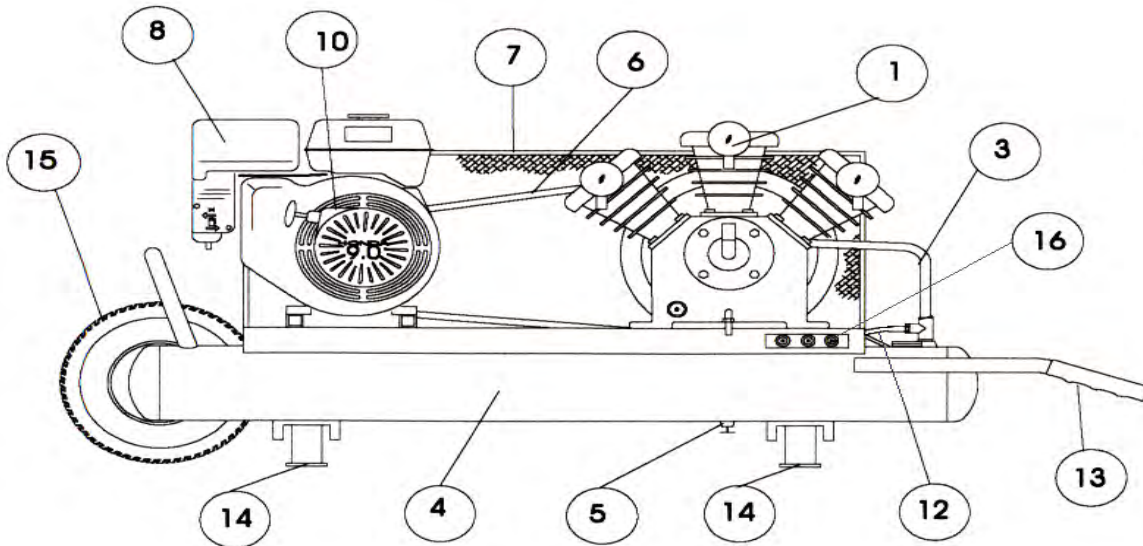
Call 1-800-551-2406 for the Customer Service Department.



**TT90GE**

## Eagle Air Compressor part breakdown sheet - TT90G

| Item | Description                   | TT90GE         |
|------|-------------------------------|----------------|
| 1    | Compressor w/ Flywheel        | PT03A          |
|      | Discharge Tube w/ Fittings    | TU-23-AL       |
| 2    | Pressure Gauge (Tank)         | PG200-2.5SI1/4 |
| 3    | Regulator                     | R202-1/4       |
| 4    | Air Receiver                  | 10TT41X5-B     |
| 5    | Drain Cock (2)                | DC1/4          |
| 6    | V-Belt                        | A54            |
| 7    | Belt Guard                    | TT-GUARD       |
| 8    | Engine - Honda                | GX270UT1QA2-R  |
| 9    | Pilot Unloader w/ Check Valve | LMV100F        |
| 10   | Pulley - Engine               | MAL37          |
|      | Pulley Bushing - Engine       | LX1            |
| 11   | Safety Valve                  | PSV1/4-150     |
| 12   | Engine Control w/ Cable       | TCLP-48        |
| 13   | Handle Grip                   | TT-GRIP (2)    |
| 14   | Vibration Damper              | TT-FOOT (4)    |
| 15   | Pneumatic Wheel               | TT-WHEEL       |
|      | Axle                          | WA1001         |
| 16   | Coupler                       | CPL-TRI        |
| 17   | Hose Assembly - Regulator     | TT-HOSE        |
| 18   | Pressure Gauge (Regulator)    | PT0160         |
|      | Eagle Compressor Oil          | EAOIL10        |



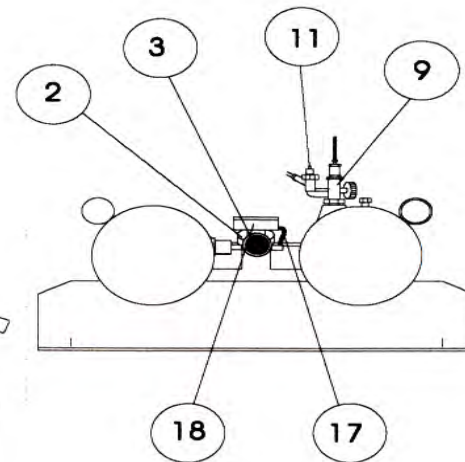
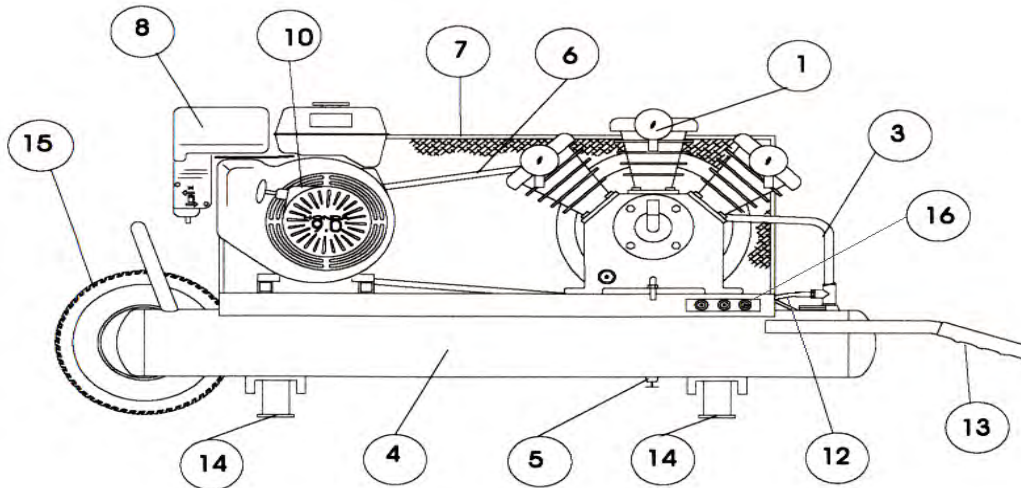
**TT90G**

## Eagle Air Compressor part breakdown sheet - TT55GE

| Item | Description                   | TT55GE         |
|------|-------------------------------|----------------|
| 1    | Compressor w/ Flywheel        | PV02A          |
|      | Discharge Tube w/ Fittings    | TU-23-AL       |
| 2    | Pressure Gauge (Tank)         | PG200-2.5SI1/4 |
| 3    | Regulator                     | R202-1/4       |
| 4    | Air Receiver                  | 10TT41X5-B     |
| 5    | Drain Cock (2)                | DC1/4          |
| 6    | V-Belt                        | A49            |
| 7    | Belt Guard                    | TT-GUARD       |
| 8    | Engine - Honda                | GX160JQE6      |
| 9    | Pilot Unloader w/ Check Valve | LMV100F        |
| 10   | Pulley - Engine               | MAL37          |
|      | Pulley Bushing - Engine       | LX3/4          |
| 11   | Safety Valve                  | PSV1/4-150     |
| 12   | Engine Control w/ Cable       | TCP-48         |
| 13   | Handle Grip                   | TT-GRIP (2)    |
| 14   | Vibration Damper              | TT-FOOT (4)    |
| 15   | Pneumatic Wheel               | TT-WHEEL       |
|      | Axle                          | WA1001         |
| 16   | Coupler                       | CPL-DUO        |
| 17   | Hose Assembly - Regulator     | TT-HOSE        |
| 18   | Pressure Gauge (Regulator)    | PT0160         |
|      | Eagle Compressor Oil          | EAOIL10        |



Call 1-800-551-2406 for the Customer Service Department.



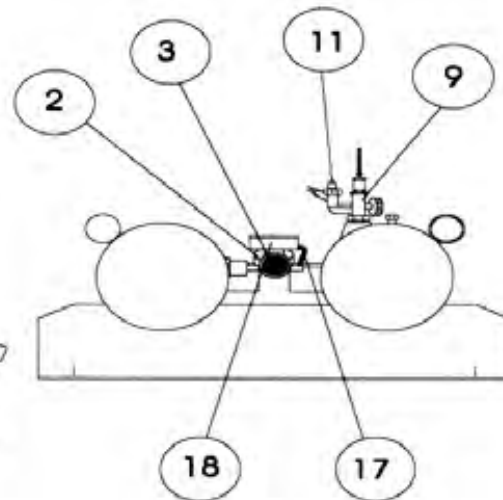
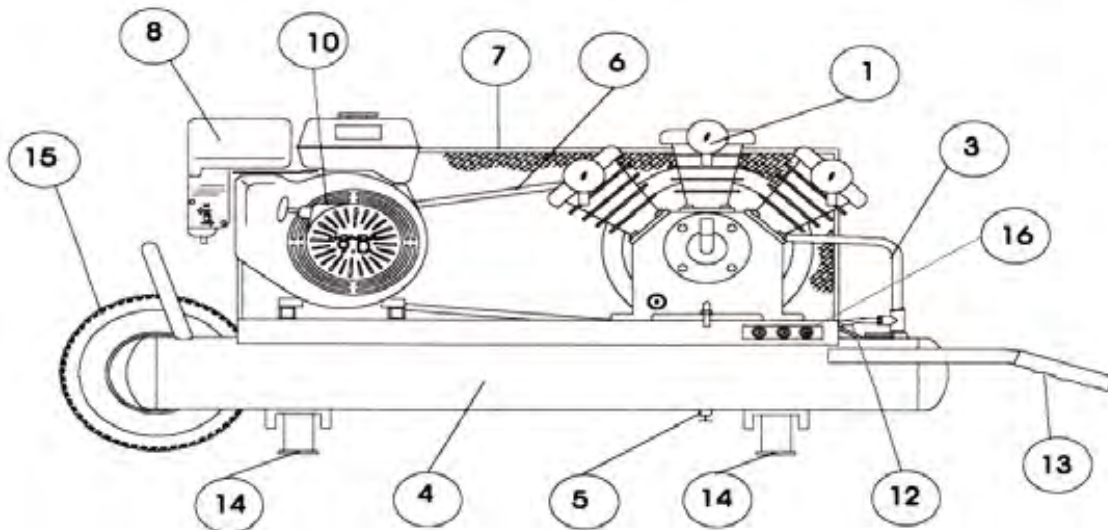
**TT55GE**

### Eagle Air Compressor part breakdown sheet - TT55G

| Item | Description                   | TT55G          |
|------|-------------------------------|----------------|
| 1    | Compressor w/ Flywheel        | PV02A          |
|      | Discharge Tube w/ Fittings    | TU-23-AL       |
| 2    | Pressure Gauge (Tank)         | PG200-2.5SI1/4 |
| 3    | Regulator                     | R202-1/4       |
| 4    | Air Receiver                  | 10TT41X5-B     |
| 5    | Drain Cock (2)                | DC1/4          |
| 6    | V-Belt                        | A49            |
| 7    | Belt Guard                    | TT-GUARD       |
| 8    | Engine - Honda                | GX160K1QX6     |
| 9    | Pilot Unloader w/ Check Valve | LMV100F        |
| 10   | Pulley - Engine               | MAL37          |
|      | Pulley Bushing - Engine       | LX3/4          |
| 11   | Safety Valve                  | PSV1/4-150     |
| 12   | Engine Control w/ Cable       | TCP-48         |
| 13   | Handle Grip                   | TT-GRIP (2)    |
| 14   | Vibration Damper              | TT-FOOT (4)    |
| 15   | Pneumatic Wheel               | TT-WHEEL       |
|      | Axle                          | WA1001         |
| 16   | Coupler                       | CPL-DUO        |
| 17   | Hose Assembly - Regulator     | TT-HOSE        |
| 18   | Pressure Gauge (Regulator)    | PT0160         |
|      | Eagle Compressor Oil          | EAOIL10        |



Call 1-800-551-2406 for the Customer Service Department.



**TT55G**