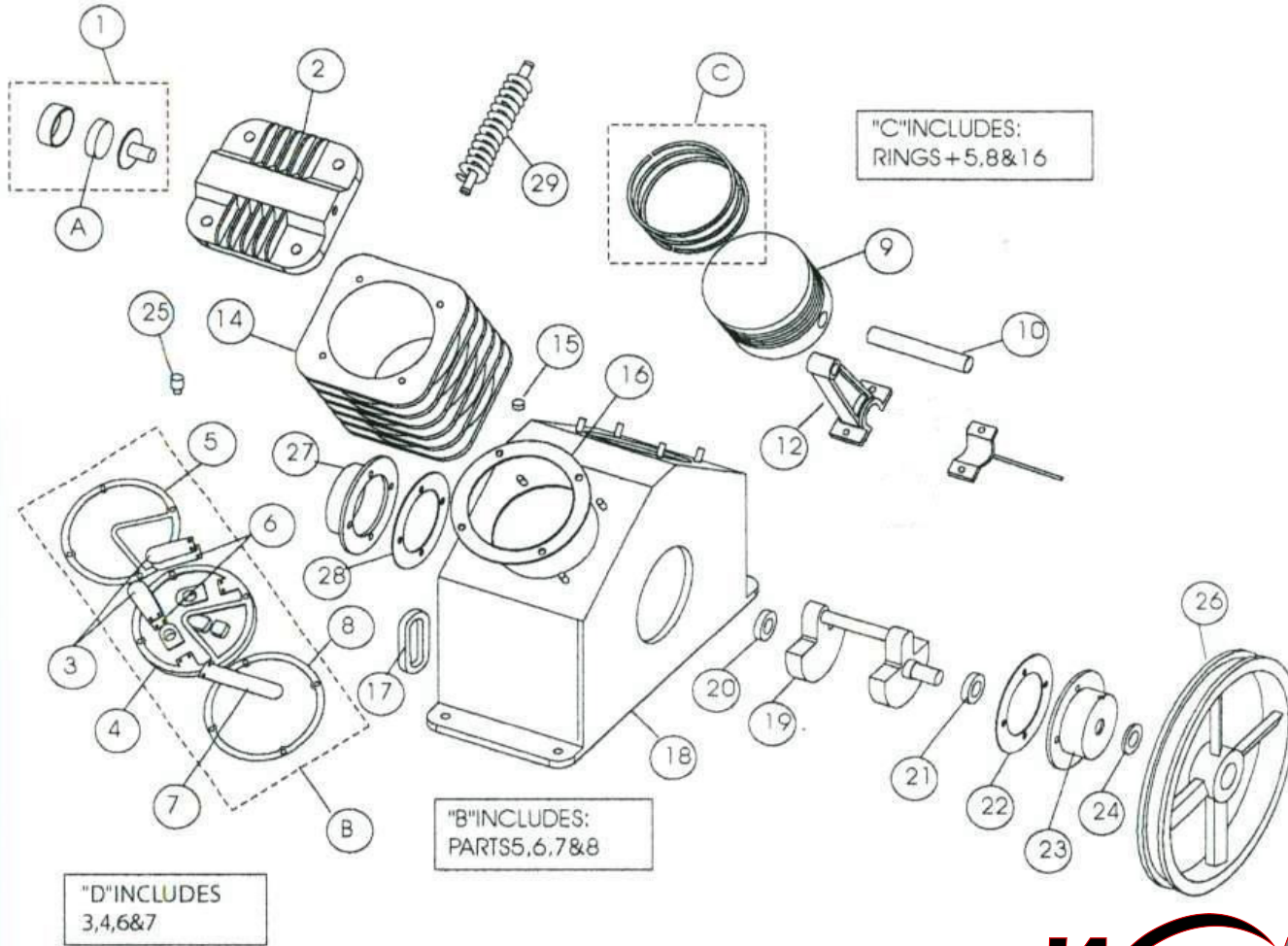


Eagle Air Compressor part breakdown sheet - PV02A

Item	Description	Qty Req.	Part #
1	intake filter ass'y	2	51111-5600
2	cylinder head	2	52122-0101
3	lift limiter - discharge valve plate	4	51121-3102
4	valve seat	2	52122-2101
5	valve seat to head gasket	2	52122-2105
6	discharge valve plate	4	51121-2103
7	intake valve plate	2	52122-2103
8	valve seat to cylinder gasket	2	52122-2104
9	piston	2	51122-5101
10	piston pin c/w snap rings	2	51122-5112
11	piston pin bushing	N/A	N/A
12	connecting rod c/w dipper	2	51122-5120
13	connecting rod bearing (pair)	N/A	N/A
14	cylinder	2	52122-4101
15	oil filler cap	1	51111-4719
16	cylinder to crankcase gasket	2	51122-4103
17	oil sight glass c/w gasket	1	51111-4770
18	crankcase	1	51122-4701
19	crankshaft	1	51122-4601
20	front bearing	1	83501-6205
21	rear bearing	1	83501-6205
22	crankcase to rear bearing housing gasket	1	51122-4704
23	rear bearing housing	1	51122-4703
24	oil seal	1	51122-4708
25	crankcase breather	1	51111-4761
26	flywheel c/w fasteners	1	51122-6601
27	front bearing housing	1	51122-4706
28	crankcase to front bearing housing gasket	1	51122-4707
29	connecting (interstage) tubing	1	51122-7710
Misc	1/4" street elbow (oil drain)	1	STREL1/4
	rear bearing snap ring	1	83610-113025
	interstage "Y" fitting	1	51121-7710
	interstage "elbow" fitting	1	51112-7701
	Eagle oil (590ml or 20oz)	1	EAOIL10



A	intake filter element kit includes: - three(3) intake filter elements	1	101000-300
B	valve repair kit includes: -valve seat to head gasket (item 5) -two(2) outlet valve plates (item 6) -intake valve plate (item 7) -six(6) valve plate screws -valve seat to cylinder gasket (item 8)	2	101000-165
C	ring repair kit includes: -valve seat to head gasket (item 5) -valve seat to cylinder gasket (item 8) -two(2) compression rings -one(1) oil control ring -cylinder to crankcase gasket (item 16)	2	101000-265
D	Valve Plate Assembly (Not shown)	2	52122-2100

Description	Part No.	Qty
Unloader	52122-0120	2
Unloading Elbow	69926-050101	1
Unloading Tee	69927-050101	1
Unloading Tube	TU-1/4-CU	3ft
Cylinder Head	51121-0101U	2

For PV02AU only

