

WORLD'S BEST
ACCU-STEAM™
GRIDDLE

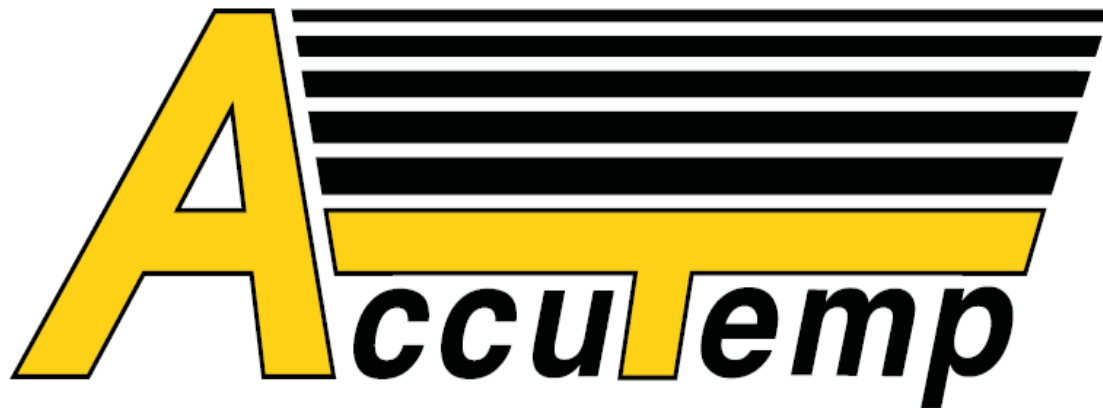
SERVICE MANUAL
ACCU-STEAM ELECTRIC G2 GRIDDLE



WARNING

Improper installation, alteration, adjustment, service, cleaning or maintenance of this commercial appliance could result in property damage, serious injury or death.

Read and understand the installation, operational, maintenance instructions before installing, servicing, or operating this commercial appliance.



Technical Services

Toll Free	800.480.0415
Office	260.469.3040
Fax	260.493.8914
email	service@accutemp.net
Web Site	www.accutemp.net

WARNING SYMBOL DEFINITIONS

SYMBOL DEFINITIONS

Symbols are used to attract your attention to possible dangers. They are only effective if the operator uses proper accident prevention measures. Some of the symbols are boxed text; while others may be just picture icons. Please give this information the respect they deserve for safe operation.

Warning Text Boxes

Below are definitions of the warning text boxes.

DANGER

Indicates an imminently hazardous situation; which, if unchanged, will result in death or serious injury.

WARNING

Indicates a potentially hazardous situation; which, if unchanged, will result in death or serious injury.

CAUTION

Indicates a potentially hazardous situation; which, if unchanged, will result in minor or moderate injury.

NOTE

Advises the reader of information or instructions, vital to the operation or maintenance of the equipment.

Symbol Icons

Below are definitions of the symbol icons used in this manual.



ALERT

Notifies the reader of an important message or warning; usually a safety related message.



INFORMATION

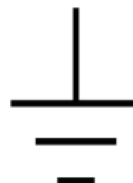
Notifies the reader of an important information that may or may not be safety related.



CAUTION - HOT SURFACE



DANGEROUS VOLTAGE



EARTH GROUND

SAFETY PRECAUTIONS

DANGER

ELECTRICAL SHOCK HAZARD WHILE WORKING ON ENERGIZED EQUIPMENT.

Unplug equipment prior to removing any components effected by electricity.

PERSONNEL INJURY HAZARD WHILE PICKING UP OR MOVING HEAVY EQUIPMENT.

Always use at least 2 people and proper lifting techniques when picking-up, moving, or flipping-over heavy equipment.

IMPORTANT FOR YOUR SAFETY

The **Safety Instructions** listed on this page below, should be posted in a prominent location as a reminder of safe practices; as well as, recommended actions to follow in the event of an equipment or facility's utility issue.

WARNING

In the event of a Power Failure, **DO NOT** attempt to operate this appliance.

WARNING

DO NOT store or use Gasoline, or any other Flammable Vapor and/or Liquids in the vicinity of this or any other appliance.

WARNING

IMPROPER installation, adjustment, alteration, service, or maintenance can cause personal injury or death; and/or property damage. Read the installation, operation, and service/maintenance instructions thoroughly; before installing or servicing this equipment.

WARNING

Only **QUALIFIED** service technicians/electricians should perform the equipment installation, to ensure that all electrical and safety requirements are met; and that all wiring is performed in accordance with all national, state, and local electrical codes.

WARNING & CAUTION NOTES

WARNING

**ONLY QUALIFIED SERVICE TECHNICIANS
SHOULD PERFORM MAINTENANCE ON
THIS EQUIPMENT.**

CAUTION

GRIDDLE MAY HAVE SHARP EDGES.

Table of Contents

Sequence of Operation	8
Specification Sheet	9
Troubleshooting Guide	10-11
Digital Controller	12-13
Main Components and Purpose	14
Parts Identification, Removal and Installation	
-3 pole Contactor	15
-Fuses	15
-Control Board	16
-Hi_Limit	16
-Transformer	17
-Heat light	17
-Solid State Relay	17
-RTD Sensor(s)	18
Testing	
-RTD	18
Preventative Maintenance	19
Schematics	
- 240v single phase	20
-208v & 240v three phase	21
-440v & 480v three phase	22
-380v & 415v three phase	23
Product Warranty	24

Sequence of Operation

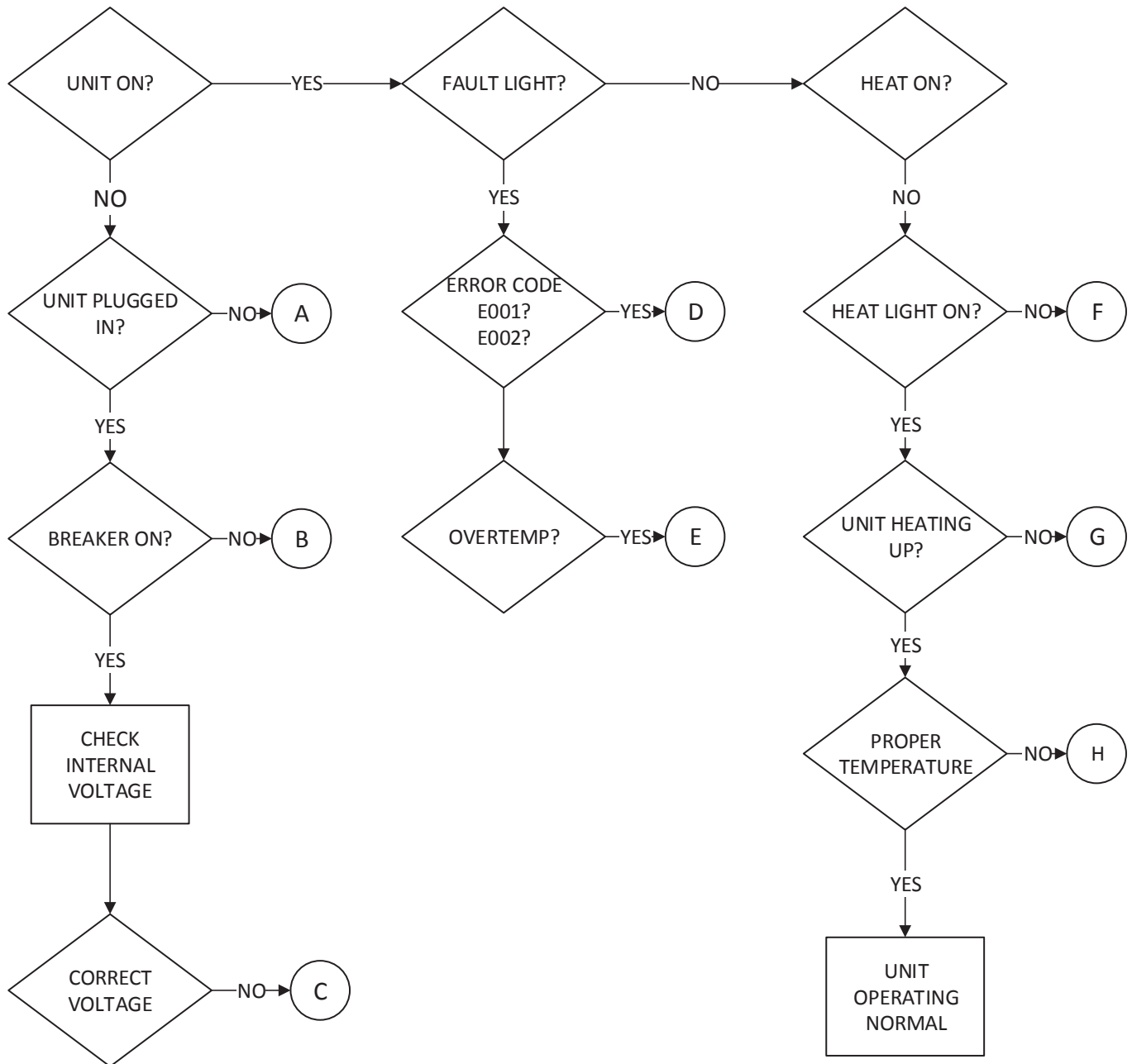
When the “Accu-Steam™ G2” griddle is plugged in, AC line voltage is supplied to the lead-in contacts of the contactor. From the contactor, line voltage is supplied to the primary side of the transformer. The secondary side voltage out is 24VAC nominal. One leg of the secondary side of the transformer (24VAC) is split and is connected to the contactor coil and the Hi-Limit thermostat. From the HI-Limit thermostat, the 24VAC leg is daisy chained to the main digital control board. The other secondary leg of power from the transformer goes to the Hi-Limit and then daisy chains over to the main digital control board. At this time, the system is waiting to be powered on via the Digital control board. Upon pressing the “ON” button on the digital controller, the digital controller powers up and a relay on the digital controller is closed, thus making a connection between one of the two 24VAC legs and the input of the HI-Limit thermostat. If the reading from the Hi-Limit RTD (Resistive Thermal Device) is not too high, an output relay in the Hi-Limit controller will be closed causing the contactor to pull in. Once the contactor pulls in, line voltage is sent to the solid state relays and heating elements. If the internal temperature of the griddle is below the set point of the digital controller as measured by the digital controller RTD sensor, the digital controller will output 24VDC to the control side of the solid state relays, turning them on. When the solid state relay(s) are turned on, line voltage is sent through the SSR connection to all the heating elements and the griddle heats up. When the griddle heats up to the set point temperature, the digital controller RTD resistance changes and provides a signal to the control board telling it that the set point temperature has been reached. When the digital controller sees the resistance value for the set point temperature, it cuts power to the SSR(s) and breaks the connection to the elements causing the griddle to stop heating further.

Griddle Specifications Sheet

GENERIC MODEL NO	COOKING SURFACE		COOKING AREA SQUARE INCHES	VOLTAGE	Hz	AMPS	KW/HR	HEAT SOURCE TYPE	Minimum Recommended Clearances			Griddle Weight LBS	W/legs LBS	w/ Stand w/ Casters LBS	Pallet weight LBS	Ship Weight Legs LBS	Ship Weight Stands LBS.
	WIDTH	DEPTH							SIDES	BACK	BTTM						
EGX2083A24	24 INCHES	30 INCHES	720	208	50/60	27	10	ELECTRIC	1 INCH	1 INCH	FLUSH	225.5	229.5	258	35.5	265	293.5
EGX2083B24	24 INCHES	24 INCHES	576	208	50/60	27	10	ELECTRIC	1 INCH	1 INCH	FLUSH				35.5		
EGX2083A36	36 INCHES	30 INCHES	1,080	208	50/60	40	15	ELECTRIC	1 INCH	1 INCH	FLUSH	306.5	310.5	347	59.5	370	406.5
EGX2083B36	36 INCHES	24 INCHES	864	208	50/60	40	15	ELECTRIC	1 INCH	1 INCH	FLUSH				59.5		
EGX2083A48	48 INCHES	30 INCHES	1,440	208	50/60	40	15	ELECTRIC	1 INCH	1 INCH	FLUSH	369.0	373.0	418	64	437	482
EGX2083B48	48 INCHES	24 INCHES	1,152	208	50/60	40	15	ELECTRIC	1 INCH	1 INCH	FLUSH				64		
EGX2301A24	24 INCHES	30 INCHES	720	230	50/60	19	9	ELECTRIC	1 INCH	1 INCH	FLUSH	225.5	229.5	258	35.5	265	293.5
EGX2301B24	24 INCHES	24 INCHES	576	230	50/60	19	9	ELECTRIC	1 INCH	1 INCH	FLUSH				35.5		
EGX2401A24	24 INCHES	30 INCHES	720	240	50/60	40	10	ELECTRIC	1 INCH	1 INCH	FLUSH	225.5	229.5	258	35.5	265	293.5
EGX2401B24	24 INCHES	24 INCHES	576	240	50/60	40	10	ELECTRIC	1 INCH	1 INCH	FLUSH				35.5		
EGX2403A24	24 INCHES	30 INCHES	720	240	50/60	24	10	ELECTRIC	1 INCH	1 INCH	FLUSH	225.5	229.5	258	35.5	265	293.5
EGX2403B24	24 INCHES	24 INCHES	576	240	50/60	24	10	ELECTRIC	1 INCH	1 INCH	FLUSH				35.5		
EGX2403A36	36 INCHES	30 INCHES	1,080	240	50/60	35	15	ELECTRIC	1 INCH	1 INCH	FLUSH	306.5	310.5	347	59.5	370	406.5
EGX2403B36	36 INCHES	24 INCHES	864	240	50/60	35	15	ELECTRIC	1 INCH	1 INCH	FLUSH				59.5		
EGX2403A48	48 INCHES	30 INCHES	1,440	240	50/60	35	15	ELECTRIC	1 INCH	1 INCH	FLUSH	369.0	373.0	418	64	437	482
EGX2403B48	48 INCHES	24 INCHES	1,152	240	50/60	35	15	ELECTRIC	1 INCH	1 INCH	FLUSH				64		
EGX4155A24	24 INCHES	30 INCHES	720	380/400/415	50/60	13/13/14	9/9/10	ELECTRIC	1 INCH	1 INCH	FLUSH	225.5	229.5	258	35.5	265	293.5
EGX4155B24	24 INCHES	24 INCHES	576	380/400/415	50/60	13/13/14	9/9/10	ELECTRIC	1 INCH	1 INCH	FLUSH				35.5		
EGX4155A36	36 INCHES	30 INCHES	1,080	380/400/415	50/60	19/19/20	12/14/15	ELECTRIC	1 INCH	1 INCH	FLUSH	306.5	310.5	347	59.5	370	406.5
EGX4155B36	36 INCHES	24 INCHES	864	380/400/415	50/60	19/19/20	12/14/15	ELECTRIC	1 INCH	1 INCH	FLUSH				59.5		
EGX4155A48	48 INCHES	30 INCHES	1,440	380/400/415	50/60	19/19/20	12/14/15	ELECTRIC	1 INCH	1 INCH	FLUSH	369.0	373.0	418	64	437	482
EGX4155B48	48 INCHES	24 INCHES	1,152	380/400/415	50/60	19/19/20	12/14/15	ELECTRIC	1 INCH	1 INCH	FLUSH				64		
EGX4403A24	24 INCHES	30 INCHES	720	440	50/60	15	11	ELECTRIC	1 INCH	1 INCH	FLUSH	225.5	229.5	258	35.5	265	293.5
EGX4403B24	24 INCHES	24 INCHES	576	440	50/60	15	11	ELECTRIC	1 INCH	1 INCH	FLUSH				35.5		
EGX4403A36	36 INCHES	30 INCHES	1,080	440	50/60	21	16	ELECTRIC	1 INCH	1 INCH	FLUSH	306.5	310.5	347	59.5	370	406.5
EGX4403B36	36 INCHES	24 INCHES	864	440	50/60	21	16	ELECTRIC	1 INCH	1 INCH	FLUSH				59.5		
EGX4403A48	48 INCHES	30 INCHES	1,440	440	50/60	21	16	ELECTRIC	1 INCH	1 INCH	FLUSH	369.0	373.0	418	64	437	482
EGX4403B48	48 INCHES	24 INCHES	1,152	440	50/60	21	16	ELECTRIC	1 INCH	1 INCH	FLUSH				64		
EGX4803A24	24 INCHES	30 INCHES	720	480	50/60	16	13	ELECTRIC	1 INCH	1 INCH	FLUSH	225.5	229.5	258	35.5	265	293.5
EGX4803B24	24 INCHES	24 INCHES	576	480	50/60	16	13	ELECTRIC	1 INCH	1 INCH	FLUSH				35.5		
EGX4803A36	36 INCHES	30 INCHES	1,080	480	50/60	23	20	ELECTRIC	1 INCH	1 INCH	FLUSH	306.5	310.5	347	59.5	370	406.5
EGX4803B36	36 INCHES	24 INCHES	864	480	50/60	23	20	ELECTRIC	1 INCH	1 INCH	FLUSH				59.5		

Troubleshooting Guide

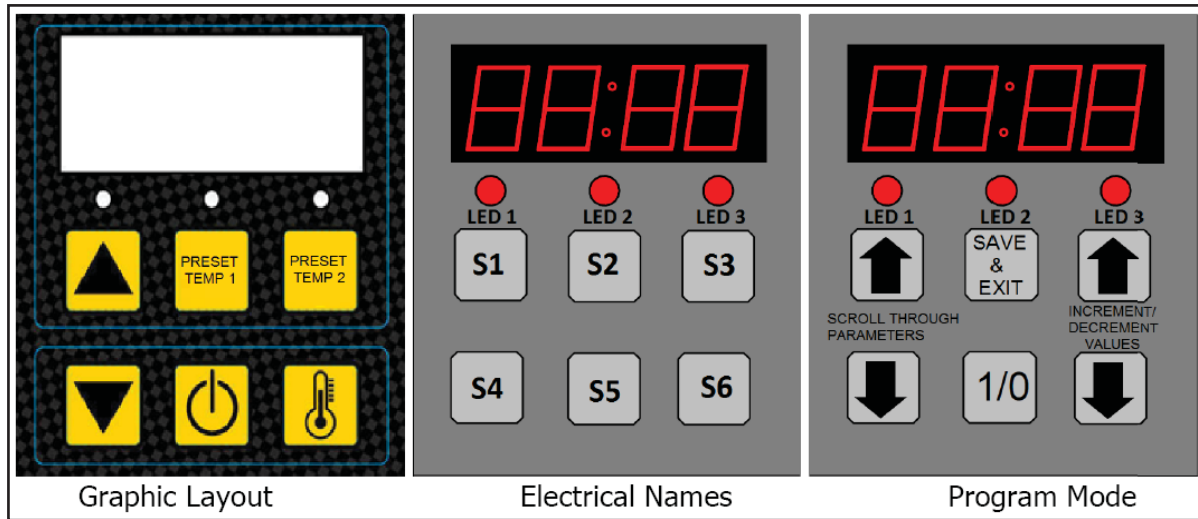
Diagnostic Flow Chart



Troubleshooting Guide

A	Power cord disconnected	Confirm proper voltage at outlet Plug in power cord
B	Breaker is tripped	Unplug griddle and check line voltage at outlet. Reset breaker
C	Transformer	Check for 24 Volts from secondary side of transformer. If input to transformer is present and there is no output, replace transformer.
	Temperature Controller (Digital Control Board)	If 24VAC is on secondary side of transformer, check power input terminals of Temp Controller J2-1 & J2-2. If 24VAC is at terminals, replace Temp Controller. If 24VAC is not at terminals, check for broken wires or poor crimps at the terminals.
	Fuses	Check for blown fuses
	Wiring	Inspect wiring for damage, opens and/or shorts. Inspect ground and wire to wire connections. Inspect for poor terminal crimps. Inspect power cord. Note* Unit has a digital controller, if voltages, fuses and wiring appear to be in order, try cycling power.
D	Error Code E001 or E002 on display	E001: Open Temp (RTD) sensor J3-1 & J3-2. Check terminals for poor crimping. E002: Shorted Temp (RTD) sensor J3-1 & J3-2 If RTD checks good (see page 18), reconnect RTD and cycle power. Is error code still present? Replace Temperature Controller
E	Over temp indicator	If griddle is not warming up or holding a set point temperature, cycle power. Check Over Temp RTD for proper values at current temperature (see page 18). If temp/resistance values match RTD, replace Over Temp Thermostat. If values do not match RTD, replace Over Temp RTD. If Over Temp and Heat light are on and griddle is not warming, cycle power. . If Over Temp light goes out, monitor griddle to see if it over temps again. If temperature is greater than 50 degrees different than measurement device, verify measurement device. If measurement device appears to be accurate, measure RTD. If RTD measures normally, replace temperature controller. If RTD measures out of specifications, replace RTD.
F	Heat light not on	If griddle is warming up or regulating at a set point, replace indicator lamp. If griddle is not warming, check for 24 VDC at SSR terminals. If voltage is present at SSR, replace SSR. Check J7-1 and J7-2 at temp controller. If no voltage at output, replace temperature controller.
G	Unit not heating up (with heat light on)	If 24VDC is not present at SSR(s), check for poor or loose connections, broken red and/ or orange wires between the "Heat" indicator lamps and the SSR(s). If wiring is correct replace SSR. If 24VDC is present at SSR(s), check for poor or loose connections between the contactor, elements and SSR(s). Verify all elements Ohm out equally and the contactor is pulling in.
H	Inaccurate Temperature	If display temperature is greater than 50 degrees different than measurement device, verify measurement device. If measurement device appears to be accurate, measure RTD. If RTD measures normally, replace temperature controller. If RTD measures out of specifications (see page 18), replace RTD.

Digital Controller



Minimum Set Temperature: 200°F
Maximum Set Temperature: 400°F
Default Set Temperatures: 350°F
Ambient Temperature: 30 °F To 158 °F (0 to 70°C) operating
Input Voltage: 24 VAC 60HZ +/-10%
Display: 4 digit LED, Clock Style
Mode: On/Off or Proportional
Hysteresis: 2-10 °F User Programmable
Sensor Probes: PRTD 1000Ω
Unit of Measure: Degree F
Resolution: 1°F
Power Consumption: 1.2VA
Calibration is factory preset.

ERROR CODES

The control will display error codes for the following conditions:

E001 Displays when controller detects an Open Sensor

E002 Displays when controller detects a Shorted Sensor

To reset from any error, unit must be turned OFF (using S5 or cycling power), repaired, and then turned ON.

When any error is displayed: Output to J7-2 & J7-4 forced open / K2 forced open.

Digital Controller

PRESET 1 & 2

To Set Preset Temperature:

To set temperature, press either the UP arrow key or the DOWN arrow key and hold for approximately 3 seconds. The controller will load and display Default Cook Temp and enter set temperature mode.

Press the UP arrow key to increment or the DOWN arrow key to decrement from the current temperature setting. Once the correct temperature is displayed, and before the five second time out, press and hold the Preset Temp 1 key or the Preset Temp 2 key to save the displayed value to the desired preset key and to exit this mode. Press the On/Off key to exit without saving. Default values for Preset 1 = 375°F. Default values for Preset 2 = 400°F

To Set User Lockout Mode (Manager's Mode):

To Set USER LOCKOUT mode, press and hold the 0/1 key and the TEMP key for approximately 4 seconds while the controller is ON.

After 4 seconds, the USER LOCKOUT parameter will toggle and the display will show either "Loc" or "ULoc". When buttons are released, the controller will store the new USER LOCKOUT parameter value into NVM.

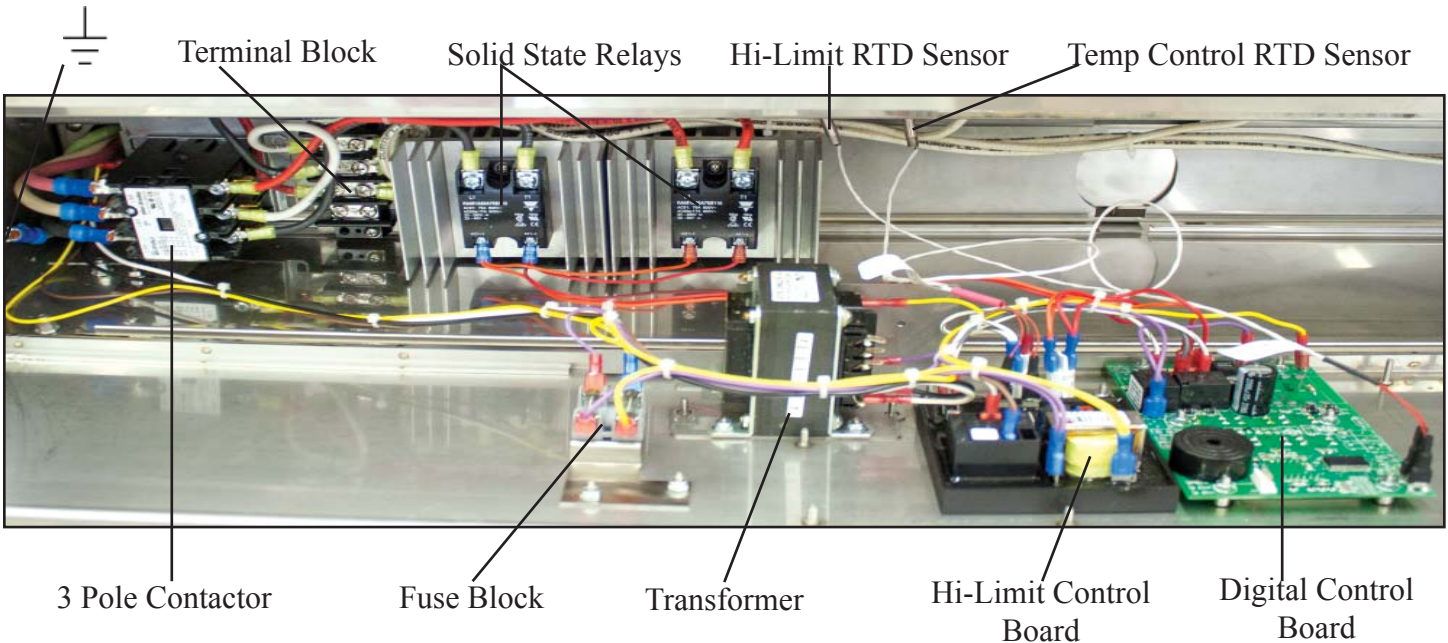
Factory Reset

Pressing and holding the DOWN arrow key (S4) and the ON/OFF key (S5) for five seconds will reset the software back to the factory default settings.

Main Components and Purpose Reference

Transformer AT0E-2662-5	-Steps down the line voltage to approximately 24VAC
3 Pole Contactor (Relay) AT0E-1587-4	-Receives power from the Hi-Limit Control Board which will open and close the contactor. When closed the relay supplies line voltage to the elements and Solid state relays. -Provides line voltage to the transformer.
Digital Control Board AT0E-3625-5	-Receives input signal from RTD Temperature Sensor. -Regulates griddles temperature by giving 24VDC to the solid state relays.
Fuse .75 Amp 250v AT0E-2731-4	-The .75A fuse is to provide protection to the control circuitry in case of a short in the system.
Hi-Limit Control Board AT0E-3880-1	-Receives input signal from Hi-Limit RTD temperature sensor and pulls contactor in. -Releases contactor when unsafe signal is met from Hi-Limit RTD (approximately 425° or 182Ω)
Temperature Sensor RTD AT0E-2885-8	-Digital temperature control board RTD is a 1000Ω RTD with a black shrink sleeve identifier.
Hi-Limit Temperature Sensor, RTD AT0E-2885-7	- The RTDs provide temperature reference information to the respective controllers. High limit control RTD is a 100Ω RTD, red heat shrink sleeve identification.
Heat Lamp 24v Red AT0E-1800-2	-Receives 24VDC power from Digital control board and indicates the solid state relays are energized.
Solid State Relay AT0E-2059-3	-Solid state relays provide the high voltage/power switching to the heating elements via the 24VDC output from the digital control board.
Over temp Lamp 24v Red	-Receives 24VDC power from Hi-Limit control board and indicates the griddle has exceeded 425°.

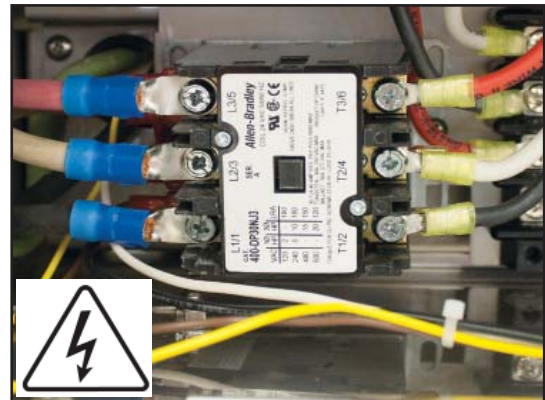
Parts Identification, Removal and Installation



3 Pole Contactor

AT0E-1587-4

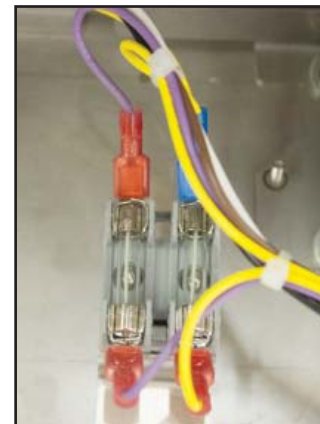
1. Unplug from wall receptacle.
2. Lower front access panel by removing the screws in the upper corners of the panel.
3. Locate contactor and note the location of the wires and their terminals, disconnect wires.
4. Removed nuts securing contactor.
5. Remove contactor.
6. Reinstall in reverse order.



Fuse .75 Amp 250V

AT0E-2731-4

1. Unplug from wall receptacle.
2. Lower front access panel by removing the screws in the upper corners of the panel.
3. Replace fuse.



Parts Identification, Removal and Installation

Digital Control Board

AT0E-3625-5

1. Unplug from wall receptacle.
2. Lower front access panel by removing the screws in the upper corners of the panel.
3. Locate the main control board. Take note of wires and their terminals, remove wires.
4. Remove nuts and washers securing board to panel, remove panel.
5. Reinstall in reverse order.

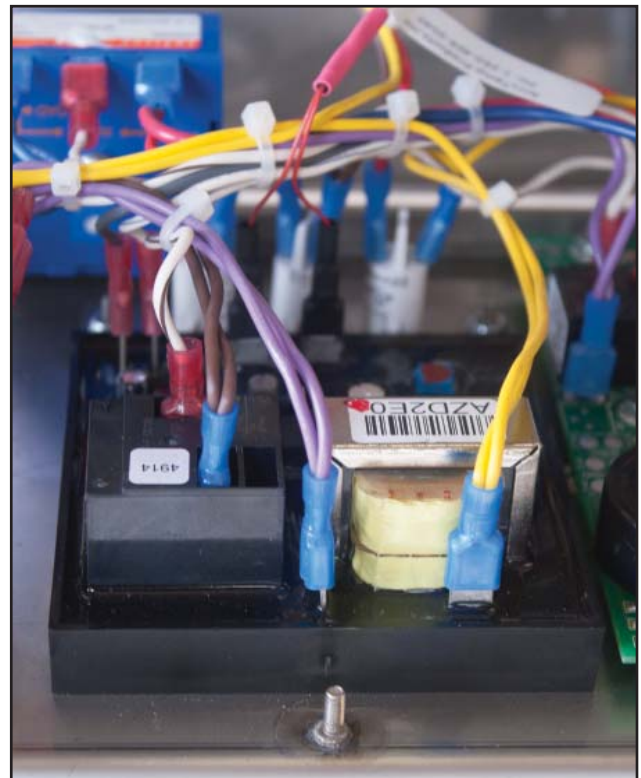


IMPORTANT NOTICE: Failure to unplug the unit before pulling wires from the board could result in fatal damage to the controller board.

Hi-Limit Control Board

AT0E-3880-1

1. Unplug from wall receptacle.
2. Lower front access panel by removing the screws in the upper corners of the panel.
3. Locate the Hi-Limit control board. Take note of wires and their terminals, remove wires.
4. Remove nuts and washers securing board to panel, remove panel.
5. Reinstall in reverse order.

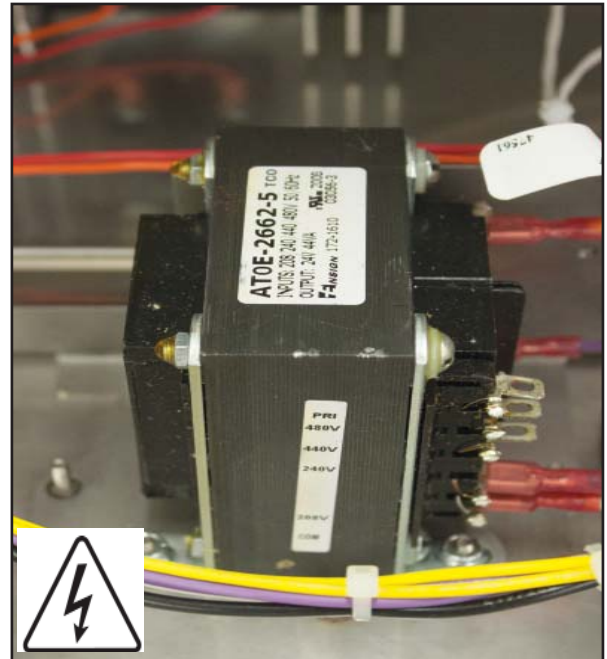


Parts Identification, Removal and Installation

Transformer

AT0E-2662-5

1. Unplug from wall receptacle.
2. Lower front access panel by removing the screws in the upper corners of the panel.
3. Locate transformer and note the location of the wires and their terminals, disconnect wires.
4. Removed nuts securing transformer.
5. Remove transformer.
6. Reinstall in reverse order.

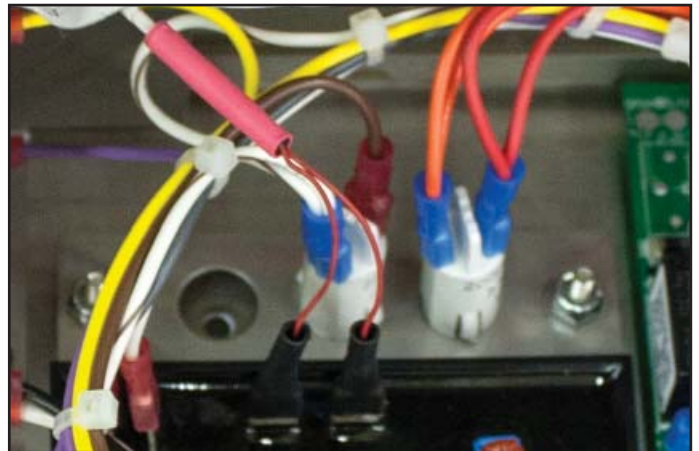


Heat Lamp 24V Red

Over Temp Lamp 24V Red

AT0E-1800-2

1. Lower front access panel by removing the screws in the upper corners of the panel.
2. Locate the light bar and remove wires from lamp.
3. Remove nuts securing the lamp to light bar.
4. Remove lamp.
5. Reinstall in reverse order.



Solid State Relay(s)

AT0E-2059-3

1. Unplug from wall receptacle.
2. Lower front access panel by removing the screws in the upper corners of the panel.
3. Locate the solid state relay (SSR) and remove screws securing wires to relay.
4. Remove screw securing relay to heat sync plate.
5. Reinstall in reverse order.

NOTE: It is vital to have both mounting screws install with each relay in order to ensure the relays have a long life and do not burn out prematurely from over heating.



Parts Identification, Removal and Installation

Temperature Sensor, 1000Ω RTD

AT0E-2885-8

1. Lower front access panel by removing the screws in the upper corners of the panel.
2. Locate and remove RTD wires attached to the main control board .
3. Remove nut securing RTD to griddle .
4. Reinstall in reverse order.



Hi-Limit Sensor, 100Ω RTD

AT0E-2885-7

1. Lower front access panel by removing the screws in the upper corners of the panel.
2. Locate and remove RTD wires attached to the Hi-Limit control Board.
3. Remove nut securing RTD to griddle .
4. Reinstall in reverse order.

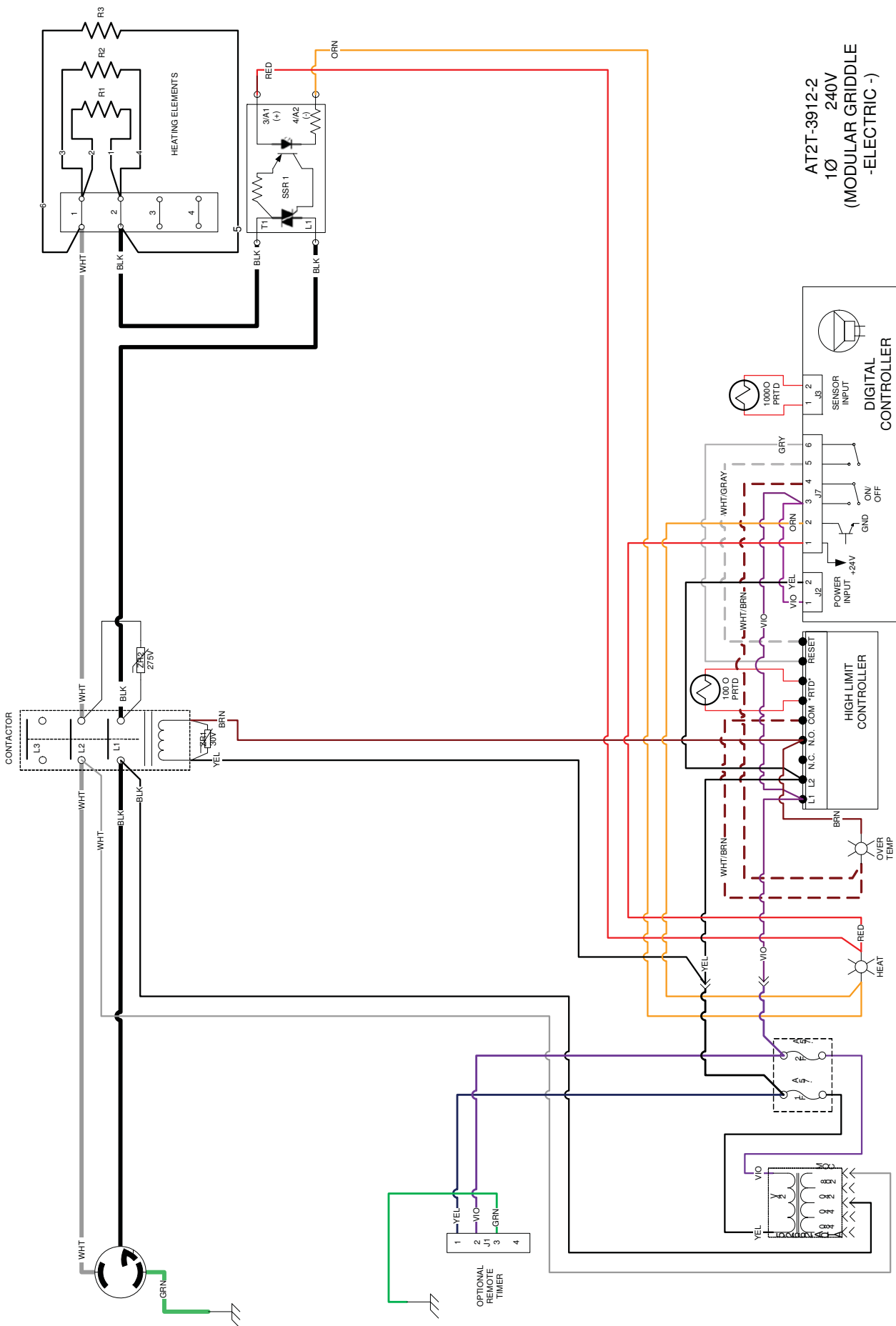
Testing

RTD Resistance Chart

Temp	Hi-Limit Sensor (100 Ω)	Temp Sensor (1000 Ω)	Temp	Hi-Limit Sensor (100 Ω)	Temp Sensor (1000 Ω)
70	108.22	1082.25			
100	114.68	1146.82	300	156.91	1569.101
125	120.03	1200.38	325	162.08	1620.883
150	125.37	1253.72	350	167.24	1672.442
175	130.68	1306.84	375	167.24	1672.442
200	135.97	1359.74	400	172.37	1723.778
225	141.24	1412.41	425	177.48	1774.892
250	146.48	1464.86	450	187.64	1876.451
275	151.7	1517.09	475	192.68	1926.897

Preventative Maintenance

PM TASK DESCRIPTION	Daily	Biannual	Yearly
Verify that the appliance is level and properly located under the hood.		X	X
Verify that the temperature controller is working properly, that there are no rips in the label.	X	X	X
Check that the splash shield at the top of the control panel is under the rail provided. If not water and or grease can migrate into control panel.		X	X
Inspect the control compartment for foreign particulate and any loose wiring or connections.		X	X
Check that the power supply cord is not frayed, outer covering is not degraded or any bare cooper is visible. Replace if required.	X	X	X
Verify amp draw to listed amp requirements on the data tag of the appliance.		X	X
If on an AccuTemp Stand verify mounting fasteners are in place and tight. If not correct. If the stand has casters check that the wheels are intact and that they mounted correctly. If grease covered clean with a mild detergent and clean water. Dry completely . Apply a food grade silicone to the locking mechanism.	X	X	X
Complete a 9 point temperature test to check for even temperature across the surface of the cooking surface.		X	X
Check for grease buildup in the grease drawer container and clean it with a damp towel saturated with a mild detergent and clean water. Dry with a clean dry towel.	X	X	X
After all metallic areas are cool to the touch Clean external metal surfaces except the cooking surface. with a damp clean towel saturated with a mild detergent and clean water. Dry with a clean dry towel.	X	X	X
Season the cooking surface as as outlined in this manual.	X		



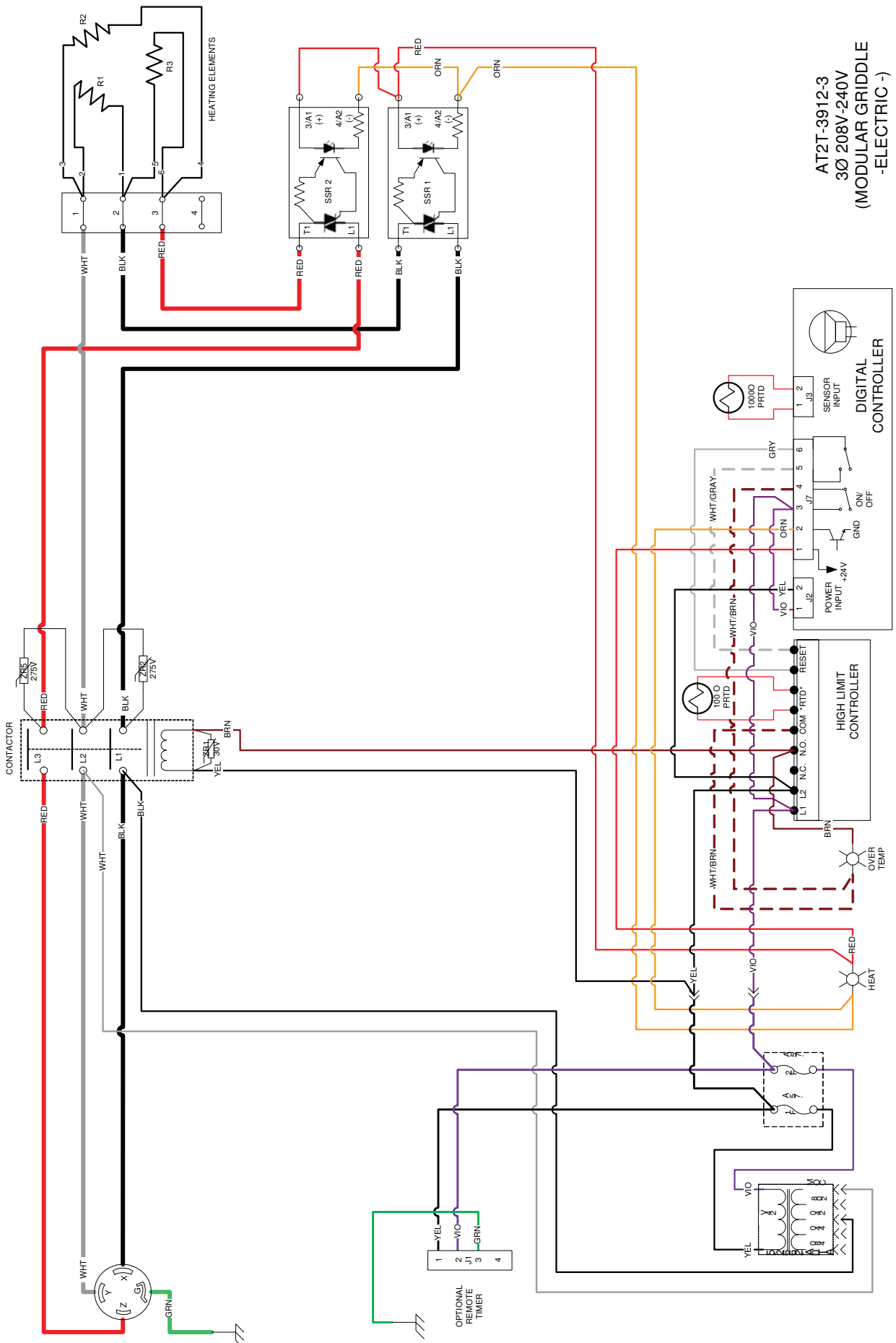
AT2T-3912-2
 1Ø 240V
 (MODULAR GRIDDLE
 -ELECTRIC -)



AccuTemp Products, Inc.
 8415 N. Clinton Park
 Fort Wayne, IN 46825

**SCHEMATIC,
 G2 GRIDDLE
 AT2T-3912**

Rev. **A**



AT2T-3912-3
 3Ø 208V-240V
 (MODULAR GRIDDLE
 -ELECTRIC-)

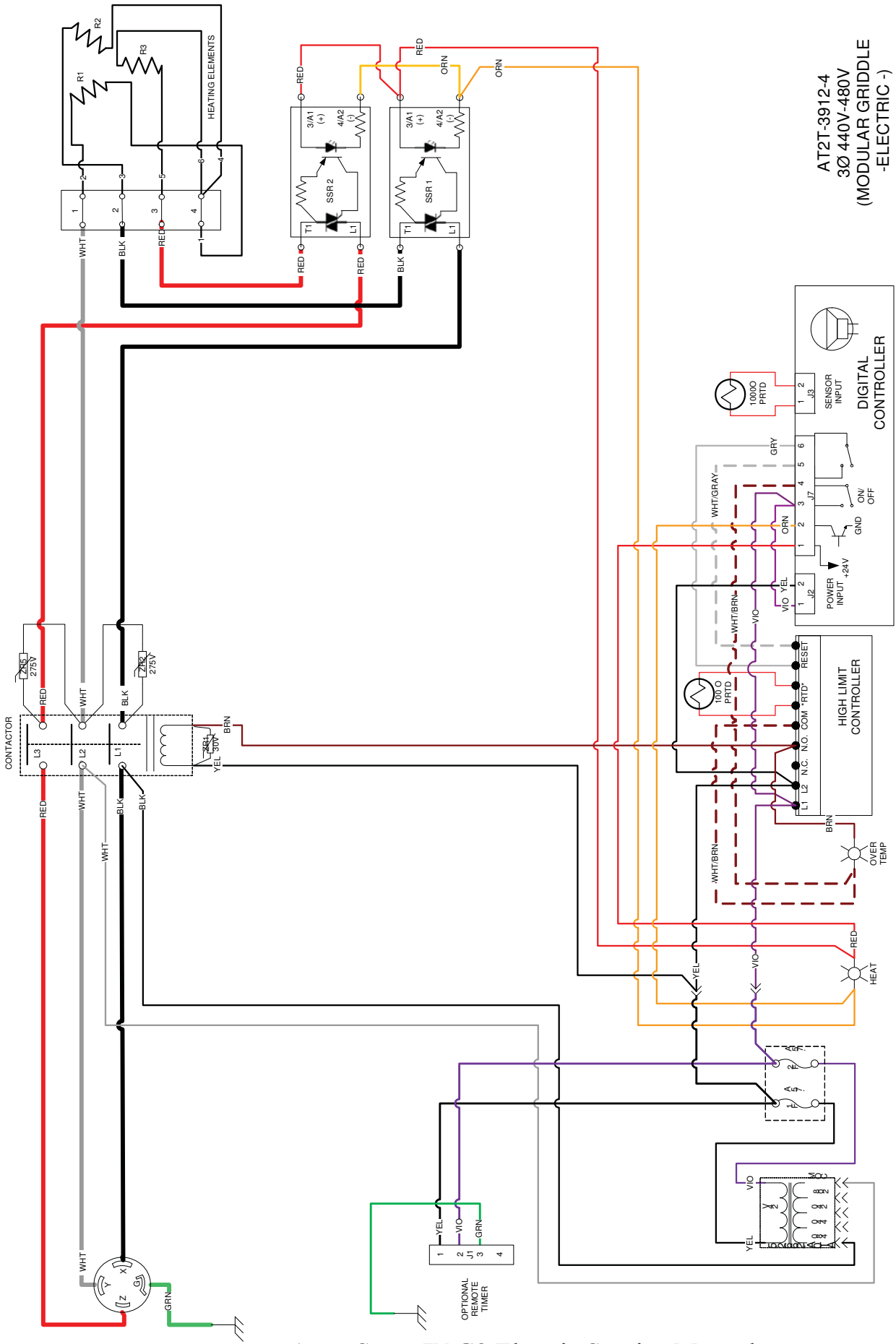


AccuTemp Products, Inc.
 8415 N. Clinton Park
 Fort Wayne, IN 46825

**SCHEMATIC,
 G2 GRIDDLE**

AT2T-3912

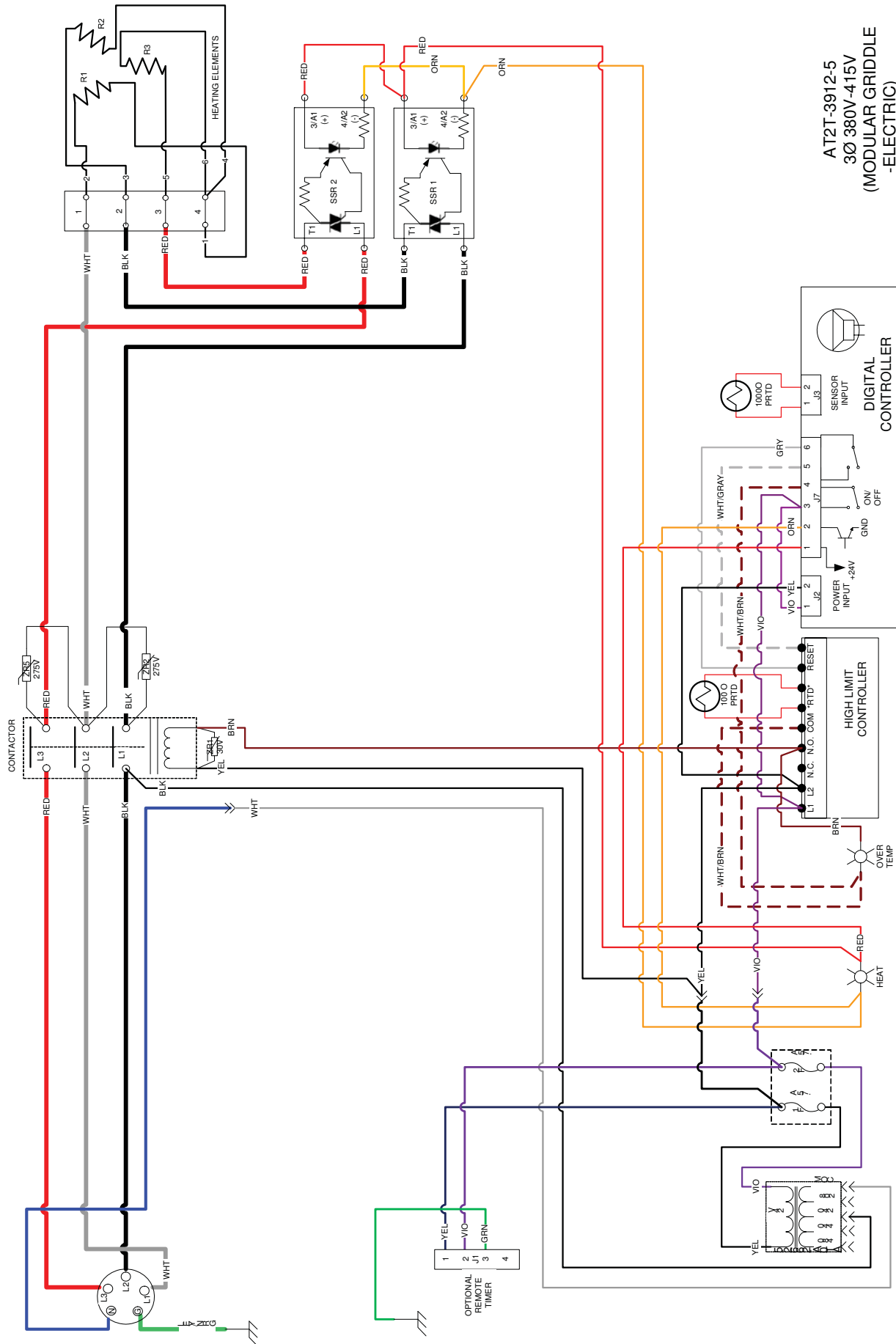
Rev. **A**



AT2T-3912-4
 3Ø 440V-480V
 (MODULAR GRIDDLE
 -ELECTRIC -)



AccuTemp Products, Inc.
 10000
 Fort Wayne, IN 46825
**SCHEMATIC,
 G2 GRIDDLE**
 AT2T-3912
 Rev. **A**



AT2T-3912-5
 3Ø 380V-415V
 (MODULAR GRIDDLE
 -ELECTRIC)



Accuemp Products, Inc.
 8415N. Clinton Park
 Fort Wayne, IN 46825

**SCHEMATIC,
 G2 GRIDDLE**

AT2T-3912

Rev: **A**

Product Warranty

U.S. & Canada Sales Only

LIMITED WARRANTY

One Year Parts and Labor One Year Parts and Labor

AccuTemp Products, Inc. (AccuTemp) warrants that your AccuTemp equipment will be free of defects in material and workmanship under normal use for a period of twelve (12) months from installation or fifteen (15) months from date of shipment from AccuTemp, whichever date first occurs (the Warranty Period). Registration of AccuTemp equipment is required at time of installation.

Damage to AccuTemp equipment that occurs during shipment must be reported to the carrier, and is not covered under this warranty. The reporting of any damage during shipment is the sole responsibility of the commercial purchaser/user of such AccuTemp equipment.

AccuTemp provides an active service department, which should be contacted and advised of service issues regardless of warranty period.

During the warranty period, AccuTemp agrees to repair or replace, at its option, F.O.B. factory, any part which proves to be defective due to defects in material or workmanship, provided the equipment has not been altered in any way and has been properly installed, maintained, and operated in accordance with the instructions in the AccuTemp Owners Manual.

During the warranty period, AccuTemp also agrees to pay for any factory authorized equipment service agency (within the continental United States and Canada) for reasonable labor required to repair or replace, at our option, F.O.B. factory, any part which proves to be defective due to defects in materials or workmanship, provided the service agency has received advance approval from AccuTemp factory service to perform the repair or replacement. This warranty includes travel time not to exceed two hours and mileage not to exceed 50 miles (100 miles round trip), but does not include post start-up assistance or training, tightening of loose fittings or external electrical connections, minor adjustments, gaskets, maintenance, or cleaning. AccuTemp will not reimburse the expense of labor required to replace parts after the expiration of the warranty period.

Proper installation is the responsibility of the dealer, owner-user, or installing contractor and is not covered by this warranty. While AccuTemp products are built to comply with applicable standards for manufacturers, including Underwriters Laboratories (UL) and National Sanitation Foundation (NSF), it is the responsibility of the owner and the installer to comply with any applicable local codes that may exist.

AccuTemp makes no other warranties or guarantees, whether expressed or implied, including any warranties of performance, merchantability, or fitness for any particular purpose. AccuTemp's liability on any claim of any kind, including negligence, with respect to the goods and services covered hereunder, shall in no case exceed the price of the goods and services, or parts thereof, which gives rise to the claim. In no event shall AccuTemp be liable for special, incidental, or consequential damages, or damages in the nature of penalties.

This constitutes the entire warranty, which supersedes and excludes all other warranties, whether written, oral, or implied.

IMPORTANT

Improper installation can affect your warranty. Installation is the responsibility of the Dealer, Owner/ User or the Installation Contractor. See: Section One, Installation of the Owner's Manual.

For Service Call 800-480-0415 or email: service@accutemp.net

