

# KAYCAN LTD

## VINYL/PVC AND ALUMINUM SOFFIT - SOLID AND VENTED

### INSTALLATION ANCHORAGE DETAILS

PROJECT #415-0229				
			RJA	BY
		6/7/15	DATE	
		A	UPDATE TO THE 5TH EDITION (2014) FBC	REV
			DESCRIPTION	

KAYCAN LTD 1 MEMORIAL DRIVE RICHFORD, VT 05476	VINYL/PVC AND ALUMINUM SOFFIT INSTALLATION GENERAL NOTES AND SPECIFICATIONS	DATE: 04/11/13 DRAWING NO: KAY0007 SHEET: 1 OF 15	DRAWN BY: RJA SCALE: N.T.S. REV: A
--	--	---	--

PFC PRODUCT DESIGN GROUP, LLC  
 P.O. Box 520775  
 Longwood, FL 32752-0775  
 Phone: 321.690.1788  
 Fax: 321.690.1789  
 Email: info@pfc-corp.com

**GENERAL NOTES:**

1. THIS PRODUCT HAS BEEN TESTED AND DESIGNED TO COMPLY WITH THE CURRENT EDITION OF FLORIDA BUILDING CODE- BUILDING AND RESIDENTIAL VOLUMES EXCLUDING THE HIGH VELOCITY HURRICANE ZONE (HVHZ) AT THE DESIGN PRESSURES SHOWN ON THIS SHEET (SEE TABLE). THESE PRODUCTS WERE TESTED TO ASTM E330-02. STRUCTURAL TEST RESULTS BASED ON ASTM E330-02 WERE DIVIDED BY 1.5 AS REQUIRED BY THE BUILDING CODE.
2. DESIGN PRESSURE (DP) RATINGS SHOWN ON THIS SHEET ARE DOCUMENTED AT TWO EAVE WIDTHS.
  - 2.1. FOR EAVE WIDTHS THE SAME AS THE MINIMUM AND MAXIMUM RANGES SHOWN, THE DP FOR THAT EAVE WIDTH SHALL APPLY.
  - 2.2. FOR EAVE WIDTHS LESS THAN THE MINIMUM SHOWN, THE DP AT THE MINIMUM EAVE WIDTH SHALL APPLY.
  - 2.3. FOR EAVE WIDTHS GREATER THAN THE MINIMUM BUT LESS THAN THE MAXIMUM SHOWN, THE DP MAY BE LINEARLY INTERPOLATED.
  - 2.4. EAVE WIDTHS GREATER THAN THE MAXIMUM EAVE WIDTH SHOWN ARE NOT ALLOWED.
3. THE PRODUCT DETAILS CONTAINED HEREIN ARE BASED UPON SIGNED AND SEALED FENESTRATION TESTING LABORATORY, INC. TESTING REPORT NO. 7367, DATED 6/1/13 AND NO. 7329, DATED 5/21/13 INCLUDING ASSOCIATED LABORATORY STAMPED DRAWINGS.
4. ADEQUACY OF THE EXISTING STRUCTURAL CONCRETE, MASONRY AND WOOD FRAMING COMPRISING THE ATTACHMENT SUBSTRATE FOR THE SOFFIT SHALL BE DETERMINED TO BE CAPABLE OF WITHSTANDING AND TRANSFERRING APPLIED PRODUCT LOADS TO THAT STRUCTURE AND IS THE RESPONSIBILITY OF THE ARCHITECT OR ENGINEER OF RECORD FOR THE PROJECT.
5. OVERHANGS RECEIVING SOFFIT SHALL BE CHECKED FOR STRUCTURAL ADEQUACY. DAMAGE, CRACKS OR DEFECTS THAT MAY PRECLUDE THE SOFFIT FROM PERFORMING ITS INTENDED FUNCTIONS SHALL BE ELIMINATED.
6. INSTALLATION OF SOFFIT AND ACCESSORIES SUCH AS CORNER POSTS, STARTER STRIPS, AND TRIM AROUND OPENINGS SHALL BE DONE IN ACCORDANCE WITH THE CURRENT EDITION OF THE FLORIDA BUILDING CODE - BUILDING AND RESIDENTIAL VOLUMES AND THE MANUFACTURER'S INSTRUCTIONS.
7. SITE CONDITIONS THAT DEVIATE FROM THE DETAILS OF THIS DRAWING REQUIRE FURTHER ENGINEERING EVALUATION BY A LICENSED ENGINEER OR REGISTERED ARCHITECT
8. SOFFIT SHALL BE LABELED IN ACCORDANCE WITH 5TH EDITION (2014) FBC, SECTION 1710.9.2.
9. SOFFIT NET FREE AREA IN ACCORDANCE WITH 5TH EDITION (2014) FBC, SECTION 1710.9.1 ARE SHOWN IN THE APPROVED SOFFIT SCHEDULE ON SHEET 2.
10. MATERIALS:
  - 10.1. KAYCAN BUILDING PRODUCTS VINYL SOFFIT IS MANUFACTURED FROM A FORMULATED PVC POWDER COMPOUND MEETING THE SPECIFICATIONS OF ASTM D3679.
  - 10.2. KAYCAN BUILDING PRODUCTS ALUMINUM SOFFIT IS MANUFACTURED FROM ALUMINUM ALLOY WITH ASTM E8 TESTED TENSILE STRENGTH OF 21 KSI AND YIELD STRENGTH OF 9.86 KSI.
  - 10.3. SEE SHEET 2 FOR SOFFIT SPECIFICATIONS.

**INSTALLATION NOTES:**

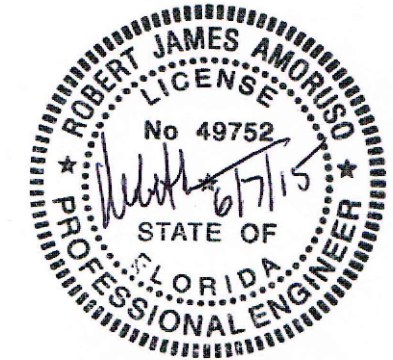
1. ANCHORS SHALL BE THE TYPE, SIZE, EMBEDMENT AND EDGE DISTANCE SHOWN HEREIN FOR RESPECTIVE SUBSTRATE.
2. INSTALLATION ANCHORS SHALL BE AS SHOWN ON THE INSTALLATION FASTENER SCHEDULE ON SHEET 3 AND IN INSTALALTION DETAILS ON SHEETS 11, 12, 13 AND 14..
3. MINIMUM EMBEDMENT EXCLUDE WALL FINISHES (INCLUDING BUT NOT LIMITED TO STUCCO, FOAM, BRICK VENEER AND SIDING). EDGE DISTANCES SHALL BE SUCH TO PREVENTIVE CRACKING OF SUBSTRATE MATERIAL.
4. ALL FASTENERS SHALL HAVE CORROSION RESISTANT COATINGS OR BE MADE OF CORROSION RESISTANT MATERIALS COMPATIBLE WITH THE SUBSTRATE MATERIALS.

DESIGN PRESSURE (PSF) RATING			
VINYL (PVC) SOFFIT SERIES	EAVE WIDTH (IN)	DESIGN PRESSURE (PSF)	
12" TRIPLE 4 SOLID SOFFIT 12" TRIPLE 4 VENTED SOFFIT 12" TRIPLE 4 CENTER-VENT SOFFIT 12" TRIPLE 4 CENTER-O-VENT SOFFIT 12" TRIPLE 4 FULL-O-VENT SOFFIT	10	+106.7/-33.3	
	24	+93.3/-33.3	
	10" DOUBLE 5 SOLID SOFFIT 10" DOUBLE 5 VENTED SOFFIT	10	+113.3/-46.7
		24	+106.7/-40
	8" BEADED SOLID SOFFIT 8" BEADED VENTED SOFFIT	10 TO 24	+106.7/-40
ALUMINUM SOFFIT SERIES	EAVE WIDTH (IN)	DESIGN PRESSURE (PSF)	
SP-600 16" SOLID SOFFIT SP-600 16" VENTED SOFFIT	12	+93.3/-40	
	24	+80/-36.7	
12" 3 PANEL SOLID SOFFIT 12" 3 PANEL VENTED SOFFIT	12	+106.7/-46.7	
	24	+93.3/-40	

DESIGN PRESSURE RATINGS SHOWN ABOVE SHALL BE COMPARED TO LOADING BASED ON  $V_{asd}$  BASIC WIND SPEEDS. THUS PROJECT DESIGN PRESSURES AS DETERMINED FROM ASCE 7-10 BASED ON  $V_{ult}$  BASIC WIND SPEEDS ARE PERMITTED TO BE MULTIPLIED BY 0.6 PER SECTION 1710.9.4 OF THE 5TH EDITION (2014) FBC/SECTION R301.9 OF THE 5TH EDITION (2014) FRC FOR COMPARISON TO THE DESIGN PRESSURE RATINGS ABOVE.

TABLE OF CONTENT	
SHEET	DESCRIPTION
1	GENERAL NOTES AND SPECIFICATIONS
2	APPROVED VINYL AND ALUMINUM SOFFIT AND TRIM SCHEDULE
3	INSTALLATION FASTENER SCHEDULE AND SOFFIT PROFILES
4 TO 11	SOFFIT AND ACCESSORY PROFILES
12	SOFFIT INSTALLATION CROSS SECTION
13	WALL SIDE - STAPLE DETAIL
14	WALL SIDE - NAIL DETAIL
15	EAVE/FASCIA SIDE DETAIL

Robert J. Amoruso, P.E.  
Florida P.E. No. 49752



# APPROVED VINYL AND ALUMINUM SOFFIT AND TRIM SCHEDULE

Kaycan Vinyl Soffit and Trim					
Product	Kaycan Drawing No.	Panel Length (in)	Thickness (in)	Net Free Area (sq. in./lineal ft.)	Net Free Area (sq. in./sq. ft.)
12" Triple 4 Solid Soffit (Vinyl)	VSAAF-0801UA	144	0.040	n/a	n/a
12" Triple 4 Vented Soffit (Vinyl)	VSAAF-0801UD	144	0.040	6.55	6.55
12" Triple 4 Center-Vent Soffit (Vinyl)	VSAAF-0801UD	144	0.040	2.18	2.18
12" Triple 4 Center-O-Vent Soffit (Vinyl)	VSAAF-0801UB	144	0.040	1.37	1.37
12" Triple 4 Full-O-Vent Soffit (Vinyl)	VSAAF-0801UC	144	0.040	4.18	4.18
10" Double 5 Solid Soffit (Vinyl)	VSAAM-0800UA	144	0.040	n/a	n/a
10" Double 5 Vented Soffit (Vinyl)	VSAAM-0800UB	144	0.040	5.17	4.50
8" Beaded Solid Soffit (Vinyl)	VSAAX-0800UA	150	0.040	n/a	n/a
8" Beaded Vented Soffit (Vinyl)	VSAAX-0800UB	150	0.040	3.38	4.64
F-Channel/Trim (Vinyl)	VAAAT-0800UA	n/a	0.040	n/a	n/a
4" Fascia Trim (Aluminum)	ACAAR-1800UA	n/a	0.022		

Kaycan Aluminum Soffit and Trim					
Product	Kaycan Drawing No.	Panel Length (in)	Thickness (in)	Net Free Area (sq. in./lineal ft.)	Net Free Area (sq. in./sq. ft.)
SP-600 16" Solid Soffit (Aluminum)	606	144	0.015	n/a	n/a
SP-600 16" Vented Soffit (Aluminum)	605	144	0.015	7.70	6.17
12" 3 Panel Solid Soffit (Aluminum)	9518	144	0.015	n/a	n/a
12" 3 Panel Vented Soffit (Aluminum)	9517	144	0.015	6.57	6.57
F-Channel/Trim (Aluminum)	ACAAN-1800UA	n/a	0.022	n/a	n/a
4" Fascia Trim (Aluminum)	ACAAR-1800UA	n/a	0.022		

PROJECT #415-0229

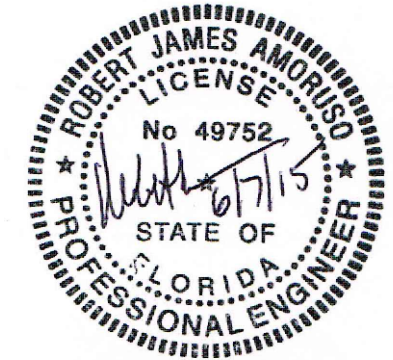
KAYCAN LTD  
1 MEMORIAL DRIVE  
RICHFORD, VT 05476

TITLE: VINYL/PVC AND ALUMINUM SOFFIT INSTALLATION  
APPROVED VINYL & ALUMINUM SOFFIT & TRIM SCHEDULE

PREPARED BY: RJA  
DATE: 04/11/13  
DRAWING NO: KAY0007  
SCALE: N.T.S.  
SHEET: 2 OF 15  
REV: A



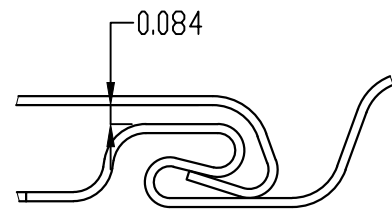
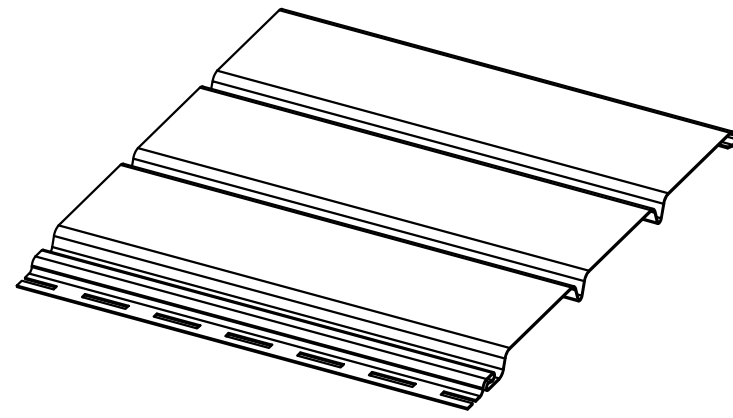
Robert J. Amoruso, P.E.  
Florida P.E. No. 49752



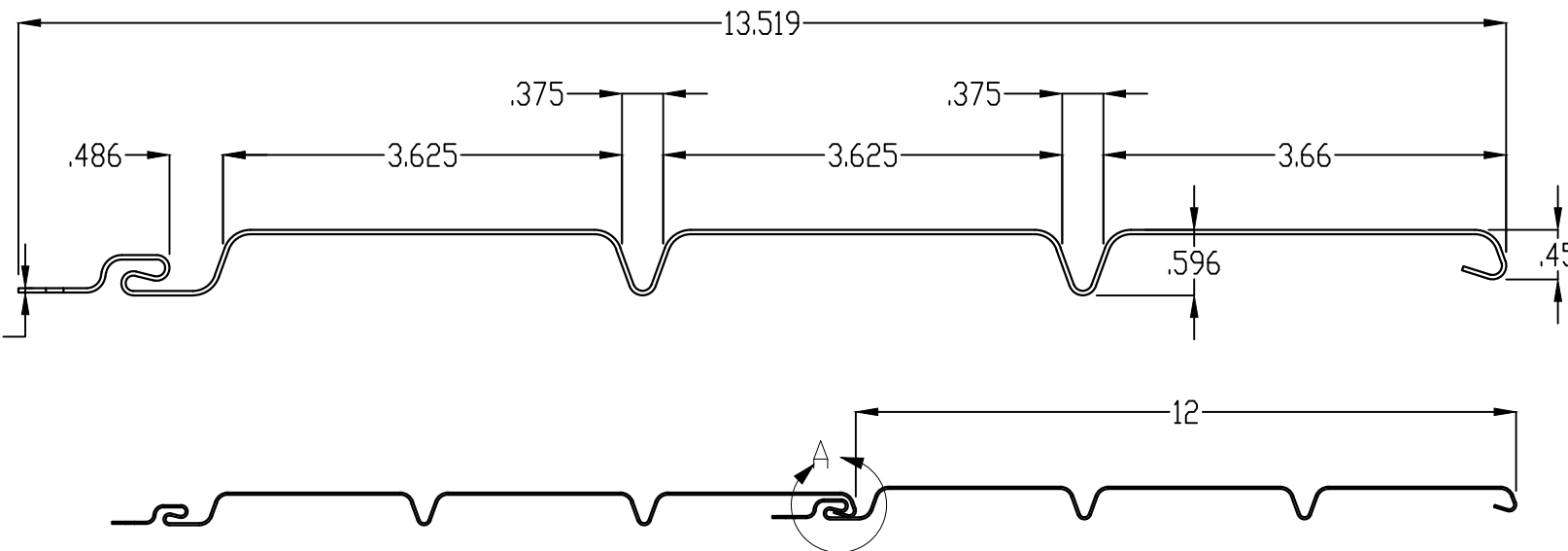
## INSTALLATION FASTENER SCHEDULE

Wall Side			
Substrate	F-Channel (Trim)		
	Fastener	Embedment	Max. Spacing
Wood	Min. 0.12" Dia. Nail with 3/8" Head Dia.	1-1/4"	24"
	Three (3) Min. 1" Leg Length x 1/4" Width Crown Staples in a Triangular Pattern	3/4"	24"
Concrete or Masonry (CMU Block)	Min. 0.097" Diameter Hardened T-Nail or Stub Nail	5/8"	24"

Eave/Fascia Side			
Substrate	Soffit		
	Fastener	Embedment	Max. Spacing
Wood	3/8" Leg Length X 3/8" Width T50 Crown Staple	3/8"	Located In Each Soffit Panel Valley
	Fascia Cap		
	Fastener	Embedment	Max. Spacing
	5d 1-3/4" Long x 0.072" Dia. Trim Nail Stainless Steel	1-3/4"	48"



DETAIL A



12" TRIPLE 4 SOLID SOFFIT — VINYL

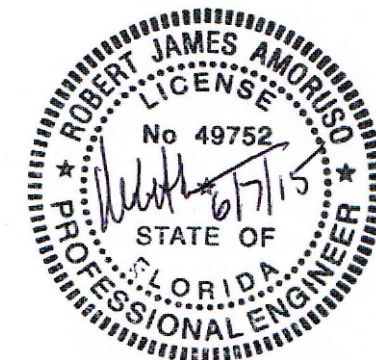
PROJECT #415-0229

KAYCAN LTD  
1 MEMORIAL DRIVE  
RICHFORD, VT 05476

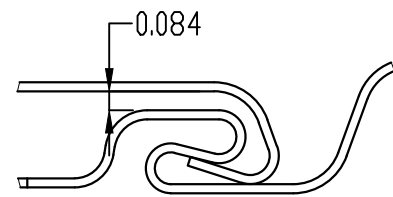
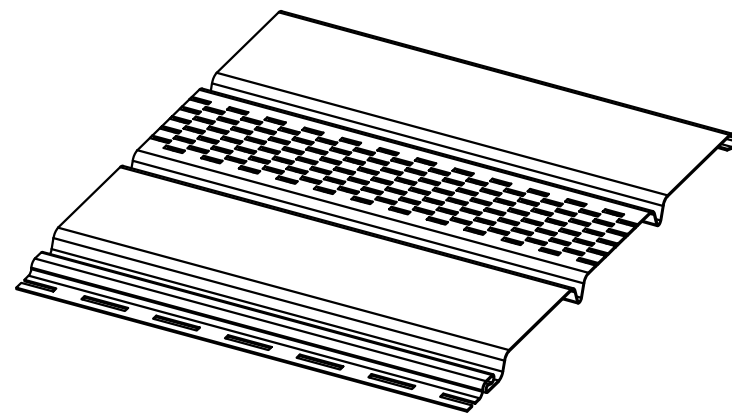
TITLE: VINYL/PVC AND ALUMINUM SOFFIT INSTALLATION  
INSTALLATION FASTENER SCHEDULE / 12" TRIPLE 4 SOLID SOFFIT - VINYL

DRAWN BY:	DATE:	DRAWING NO.:	SHEET:
RJA	04/11/13	KAY0007	3 OF 15
SCALE:	REV:	DESCRIPTION	DATE
N.T.S.	A	UPDATE TO THE 5TH EDITION (2014) FBC	6/7/15
BY	RJA	BY	RJA

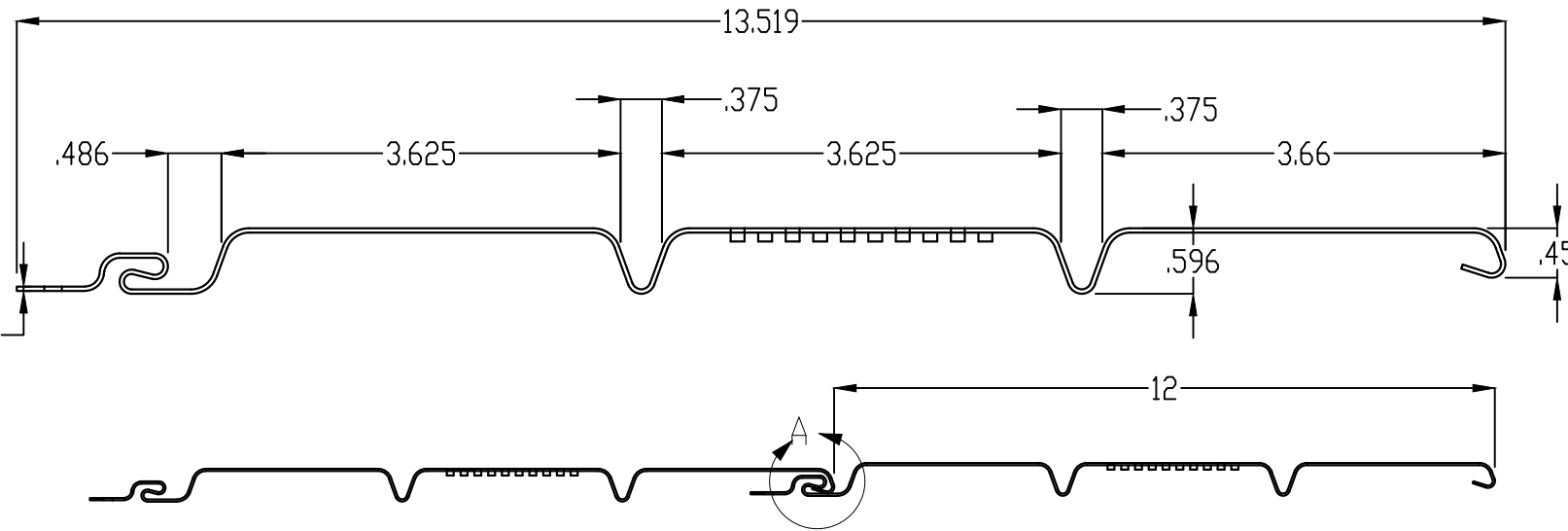
Robert J. Amoruso, P.E.  
Florida P.E. No. 49752



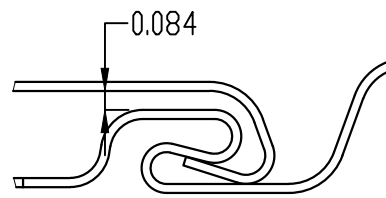
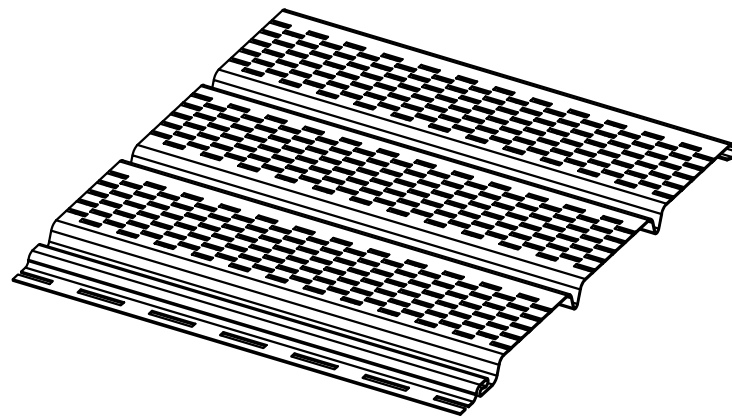
PTC PRODUCT DESIGN GROUP, LLC  
P.O. Box 520775  
Longwood, FL 32752-0775  
Phone: 321.690.1788  
Fax: 321.690.1789  
Email: info@ptc-corp.com



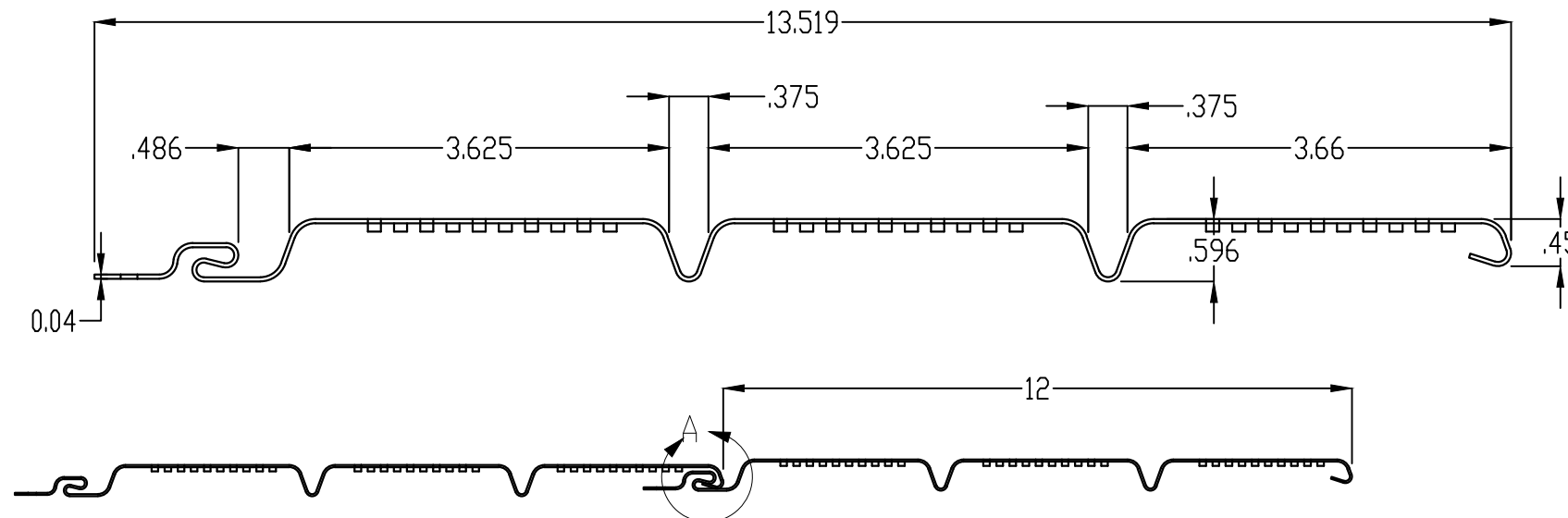
DETAIL A



12" TRIPLE 4 CENTER-VENT SOFFIT - VINYL



DETAIL A



12" TRIPLE 4 VENTED SOFFIT - VINYL

PROJECT #415-0229

KAYCAN LTD  
1 MEMORIAL DRIVE  
RICHFORD, VT 05476

TITLE: VINYL/PVC AND ALUMINUM SOFFIT INSTALLATION  
12" TRIPLE 4 CENTER-VENT SOFFIT - VINYL

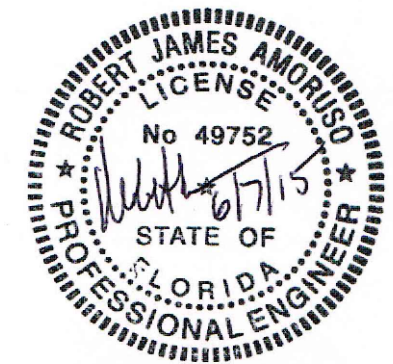
DATE: 04/11/13  
DRAWING NO: KAY0007  
SHEET: 4 OF 15  
DRAWN BY: RJA  
SCALE: N.T.S.  
REV: A

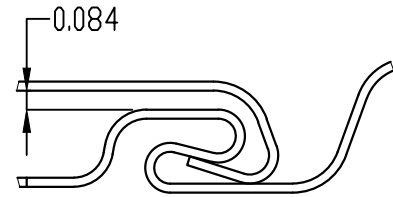
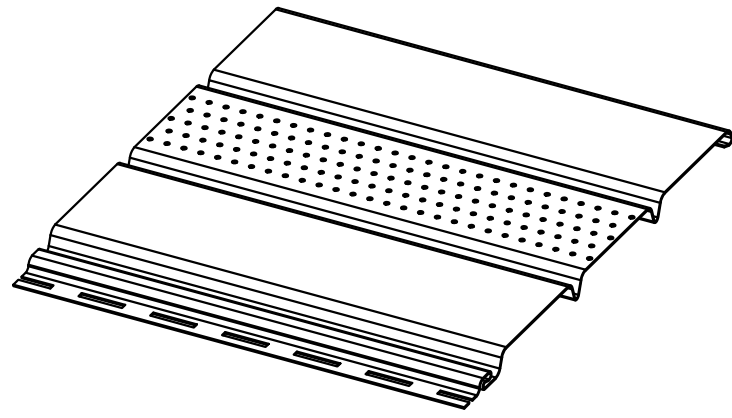


PTC PRODUCT DESIGN GROUP, LLC  
P.O. Box 520775  
Longwood, FL 32752-0775  
Phone: 321.690.1788  
Fax: 321.690.1789  
Email: info@ptc-corp.com

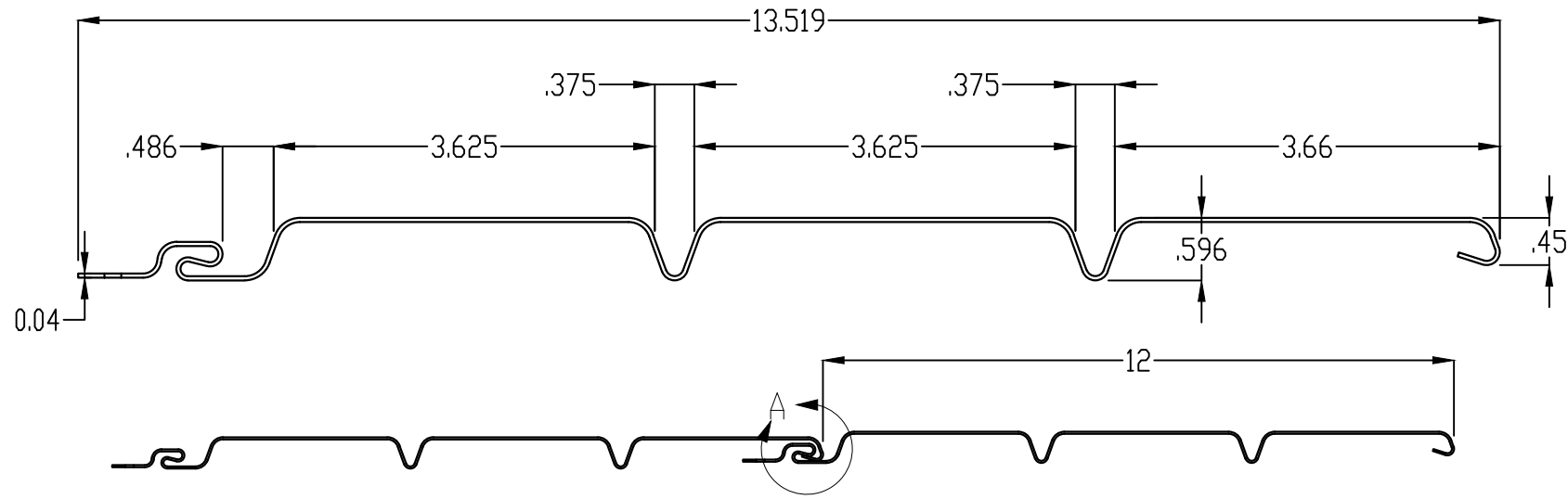
BY	RJA
DATE	6/7/15
DESCRIPTION	UPDATE TO THE 5TH EDITION (2014) FBC
REV	A

Robert J. Amoruso, P.E.  
Florida P.E. No. 49752

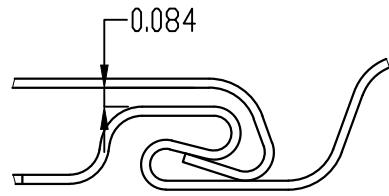
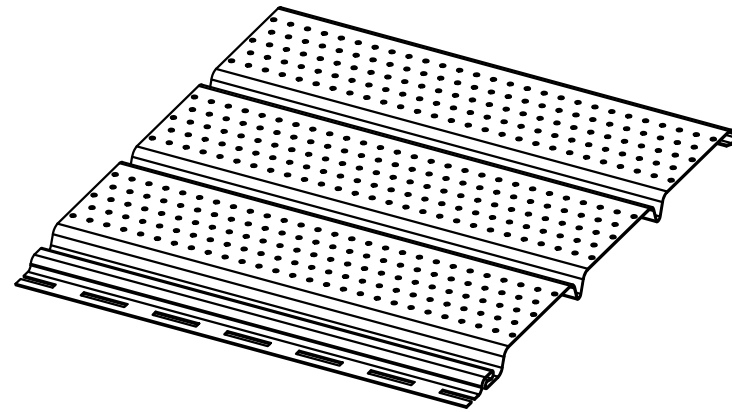




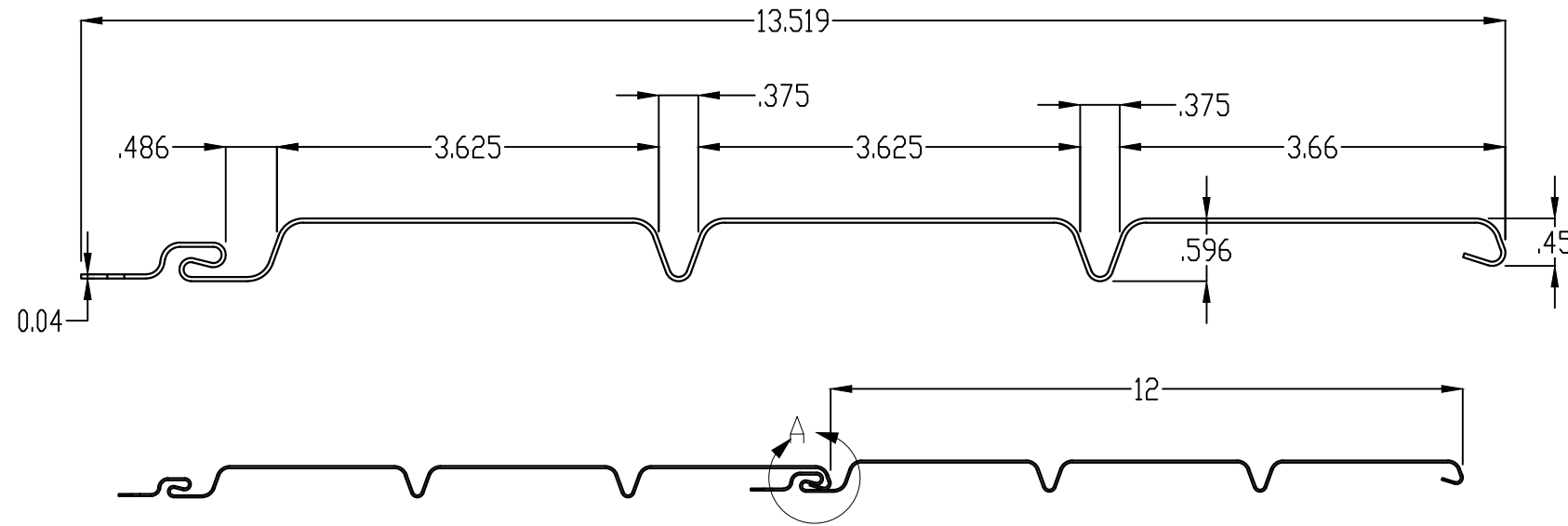
DÉTAIL A



# 12" TRIPLE 4 CENTER-O-VENT SOFFIT — VINYL



DÉTAIL A



# 12" TRIPLE 4 FULL-O-VENT SOFFIT — VINYL

PROJECT #415-0229

KAYCAN LTD  
1 MEMORIAL DRIVE  
RICHFORD, VT 05476

TITLE: VINYL/PVC AND ALUMINUM SOFFIT INSTALLATION  
12" TRIPLE 4 CENTER-O-VENT & FULL-O-VENT SOFFIT - VINYL

PREPARED BY: RJA DATE: 04/11/13

SCALE: N.T.S. DRAWING NO: KAY0007

REV: A SHEET: 5 OF 15

UPDATE TO THE 5TH EDITION (2014) FBC

REV

DESCRIPTION

6/7/15

DATE

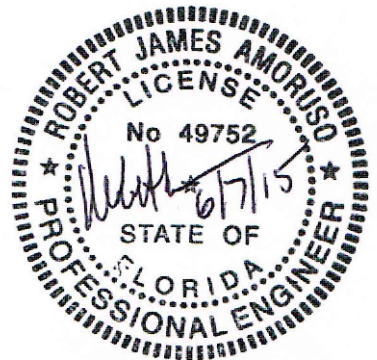
BY

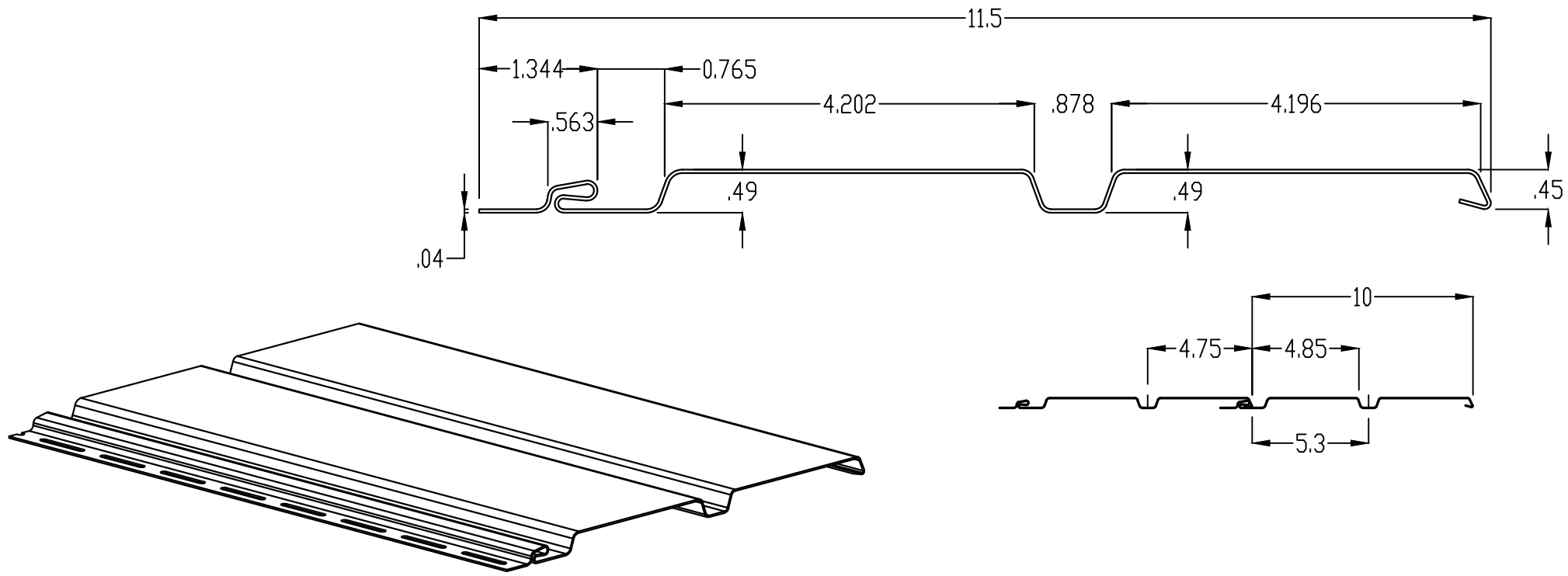
RJA



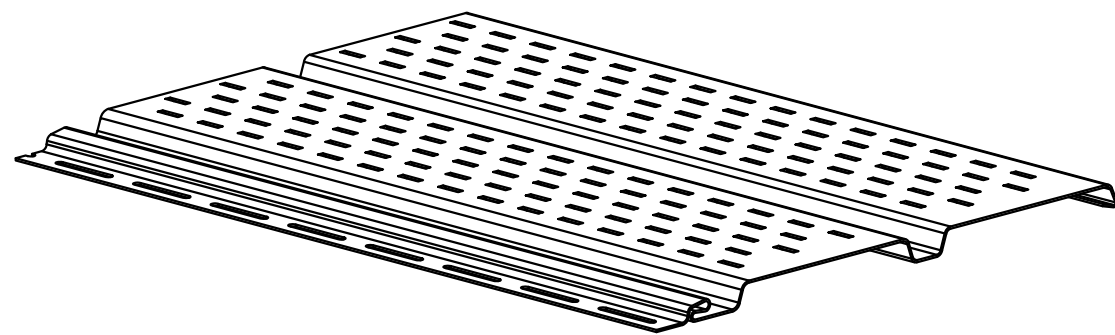
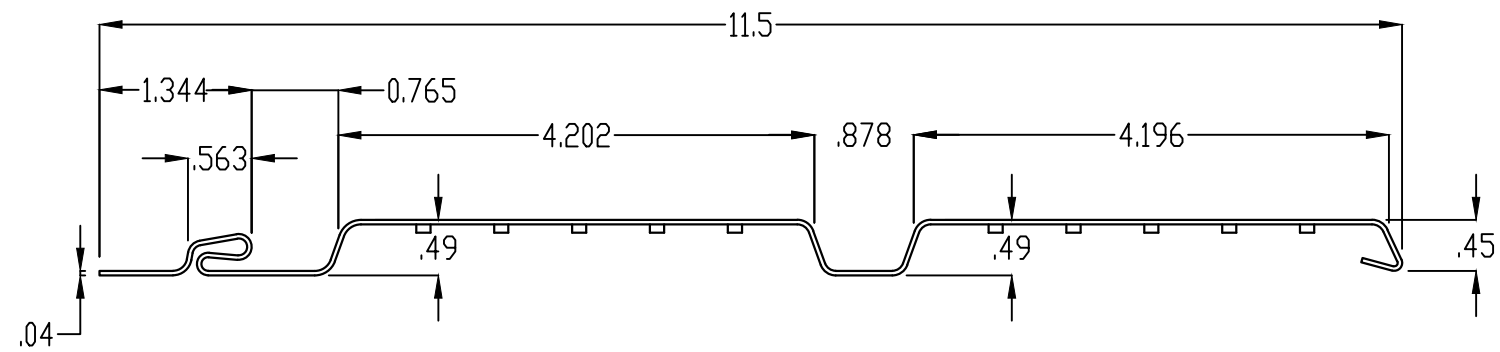
PTC PRODUCT DESIGN GROUP, LLC  
P.O. Box 520775  
Longwood, FL 32752-0775  
Phone: 321.690.1788  
Fax: 321.690.1789  
Email: info@ptc-corp.com

Robert J. Amoruso, P.E.  
Florida P.E. No. 49752





10" DOUBLE 5 SOLID SOFFIT — VINYL



10" DOUBLE 5 VENTED SOFFIT — VINYL

PROJECT #415-0229

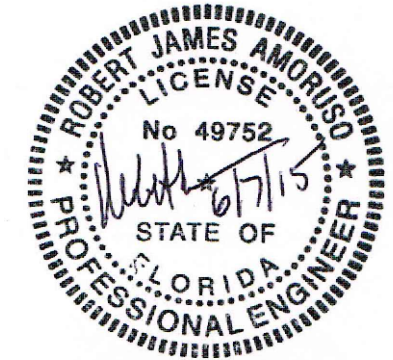
A	UPDATE TO THE 5TH EDITION (2014) FBC	6/7/15	RJA
REV	DESCRIPTION	DATE	BY

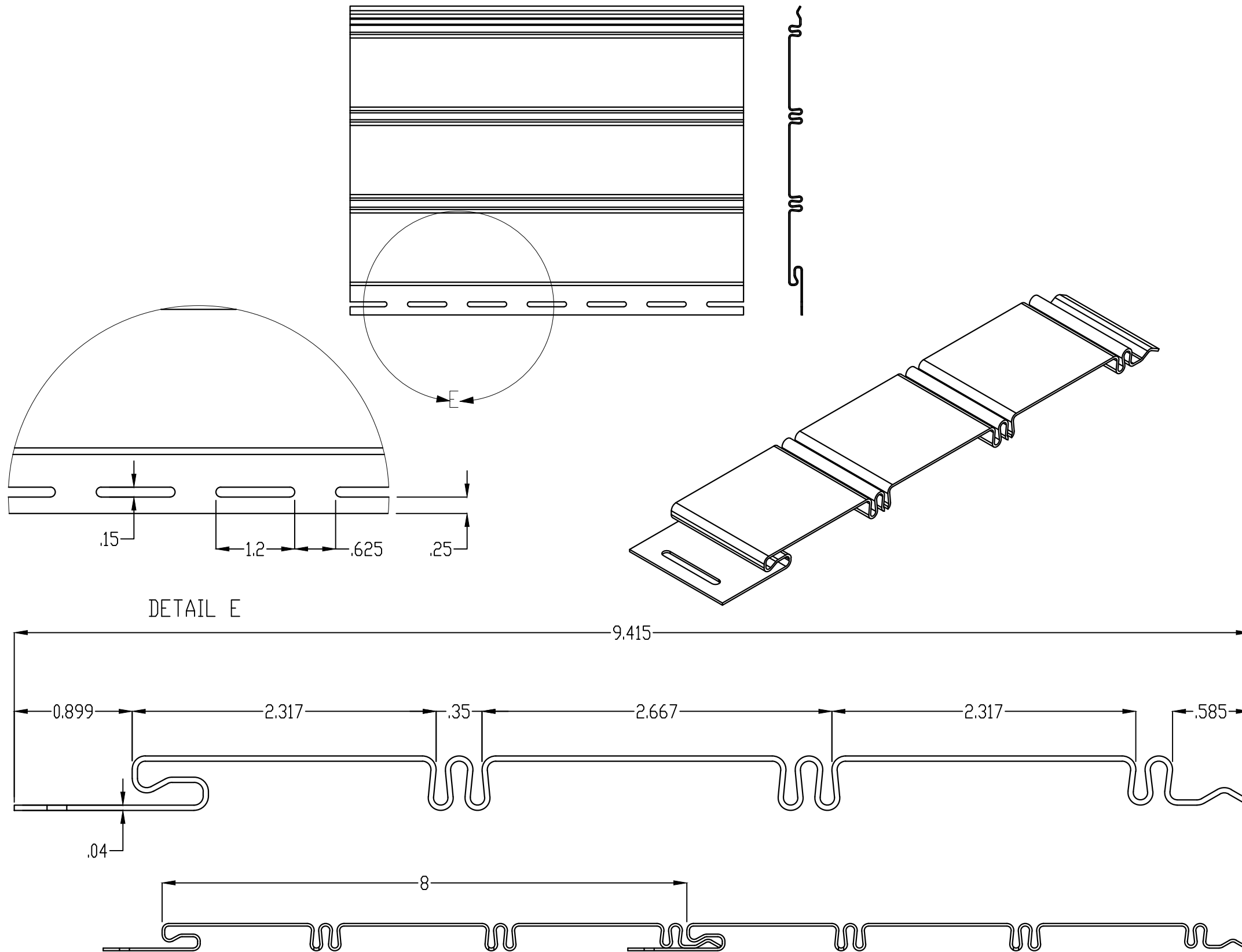
KAYCAN LTD  
 1 MEMORIAL DRIVE  
 RICHFORD, VT 05476

TITLE:	VINYL/PVC AND ALUMINUM SOFFIT INSTALLATION
DATE:	04/11/13
DRAWING NO.:	KAY0007
SCALE:	N.T.S.
SHEET:	6 OF 15
PREPARED BY:	RJA
DRAWN BY:	RJA
DATE:	04/11/13
SCALE:	N.T.S.
DRAWING NO.:	KAY0007
SHEET:	6 OF 15
PREPARED BY:	A
DRAWN BY:	A
DATE:	
SCALE:	
DRAWING NO.:	
SHEET:	

**FBPE**  
 PTC PRODUCT DESIGN GROUP, LLC  
 P.O. Box 520775  
 Longwood, FL 32752-0775  
 Phone: 321.690.1788  
 Fax: 321.690.1789  
 Email: info@fbpe-corp.com

Robert J. Amoruso, P.E.  
 Florida P.E. No. 49752





8" BEADED SOLID SOFFIT — VINYL

PROJECT #415-0229

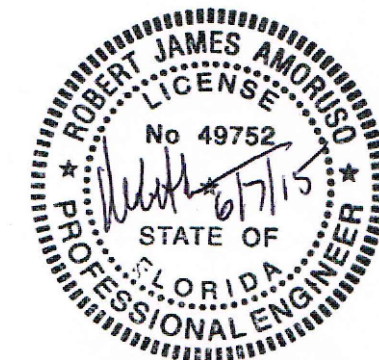
KAYCAN LTD  
1 MEMORIAL DRIVE  
RICHFORD, VT 05476

TITLE: VINYL/PVC AND ALUMINUM SOFFIT INSTALLATION  
8" BEADED SOLID SOFFIT - VINYL

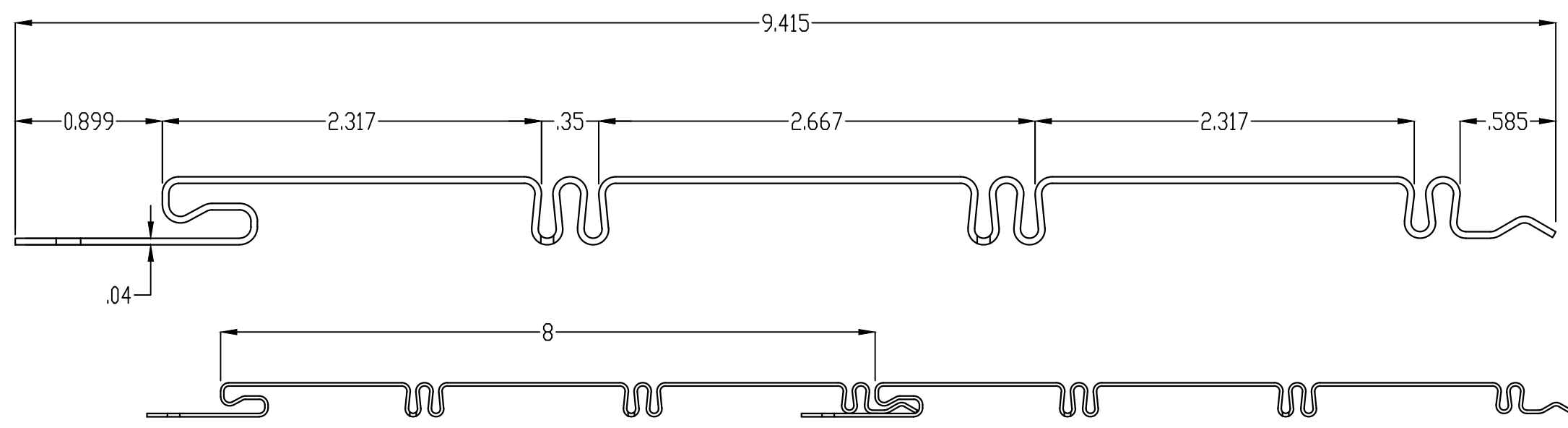
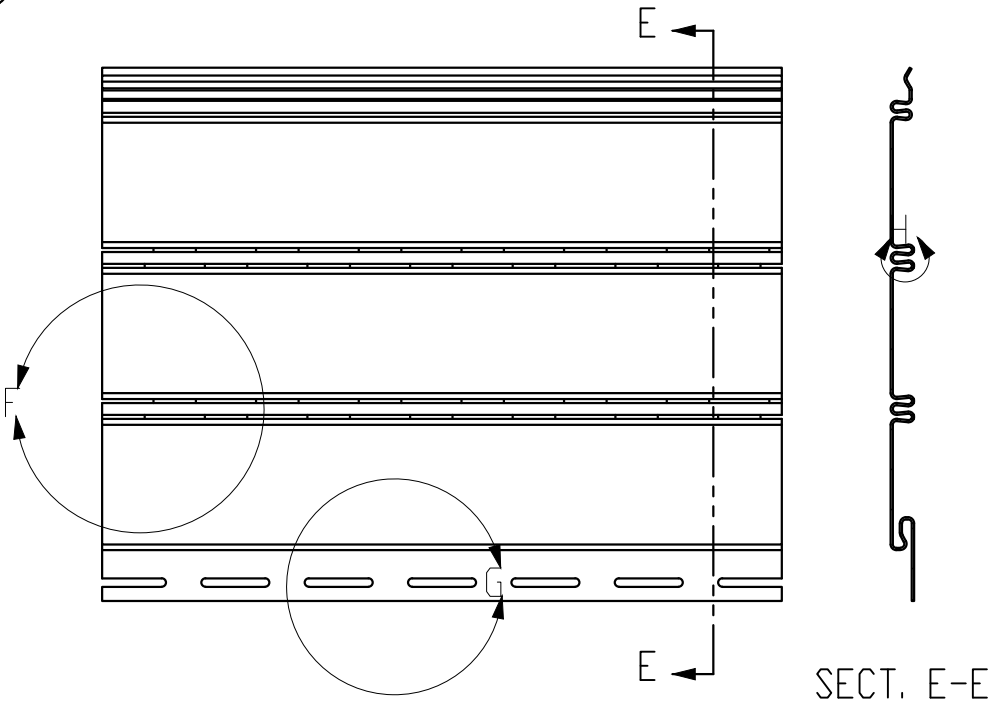
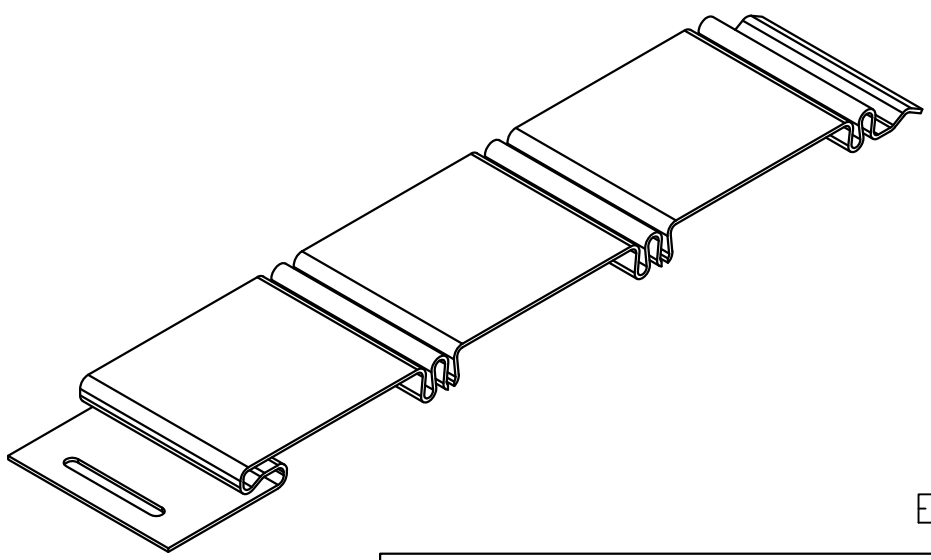
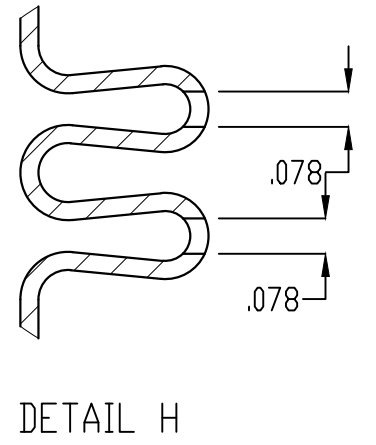
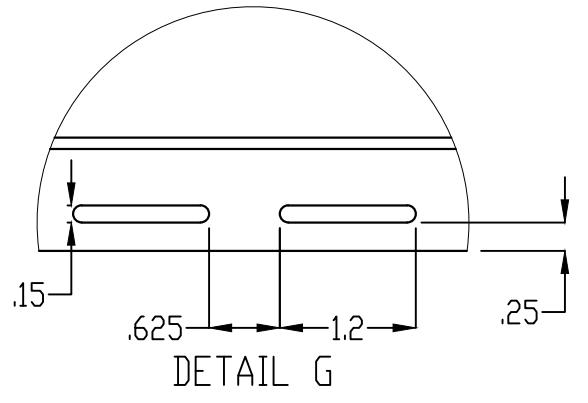
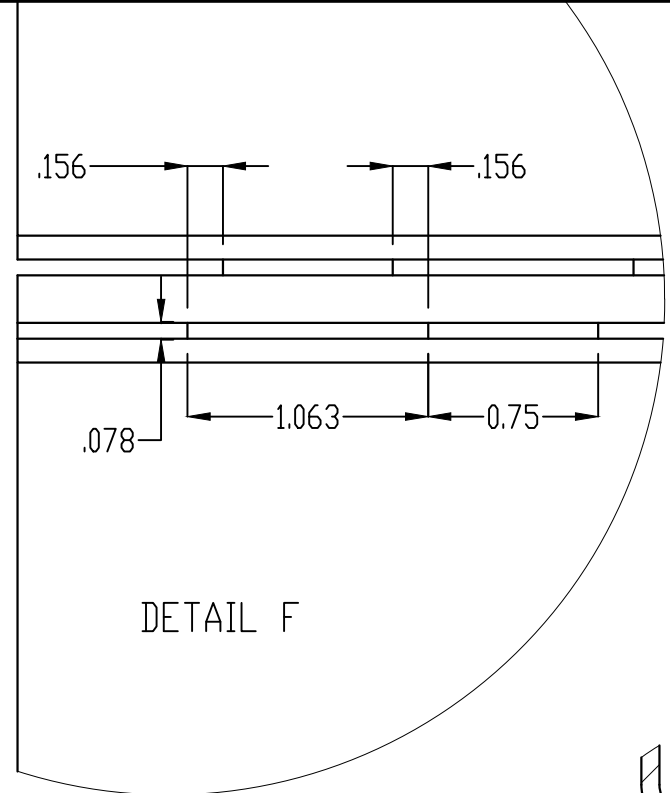
PREPARED BY: RJA  
SCALE: N.T.S.  
DATE: 04/11/13  
DRAWING NO: KAY0007  
SHEET: 7 OF 15  
REV: A

REV: A  
DESCRIPTION: UPDATE TO THE 5TH EDITION (2014) FBC  
DATE: 6/7/15  
BY: RJA

Robert J. Amoruso, P.E.  
Florida P.E. No. 49752



PTC PRODUCT DESIGN GROUP, LLC  
P.O. Box 520775  
Longwood, FL 32752-0775  
Phone: 321.690.1788  
Fax: 321.690.1789  
Email: info@ptc-corp.com



8" BEADED VENTED SOFFIT - VINYL

PROJECT #415-0229

REV	DESCRIPTION	DATE	BY
A	UPDATE TO THE 5TH EDITION (2014) FBC	6/7/15	RJA

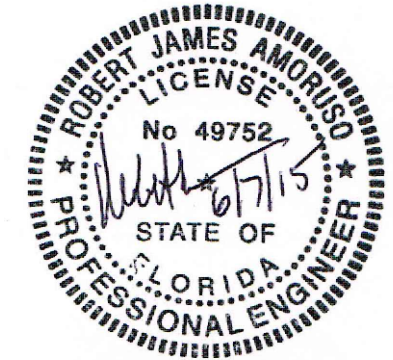
KAYCAN LTD  
1 MEMORIAL DRIVE  
RICHFORD, VT 05476

TITLE: VINYL/PVC AND ALUMINUM SOFFIT INSTALLATION  
8" BEADED VENTED SOFFIT - VINYL

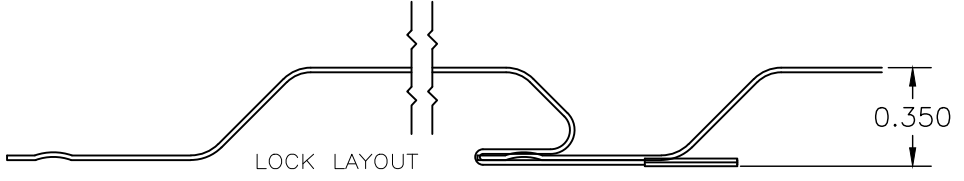
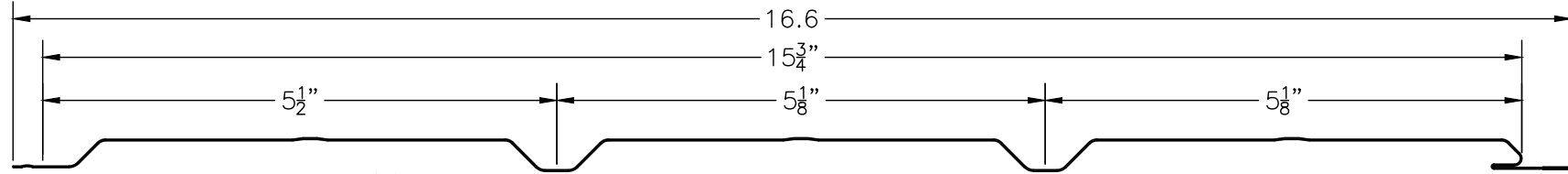
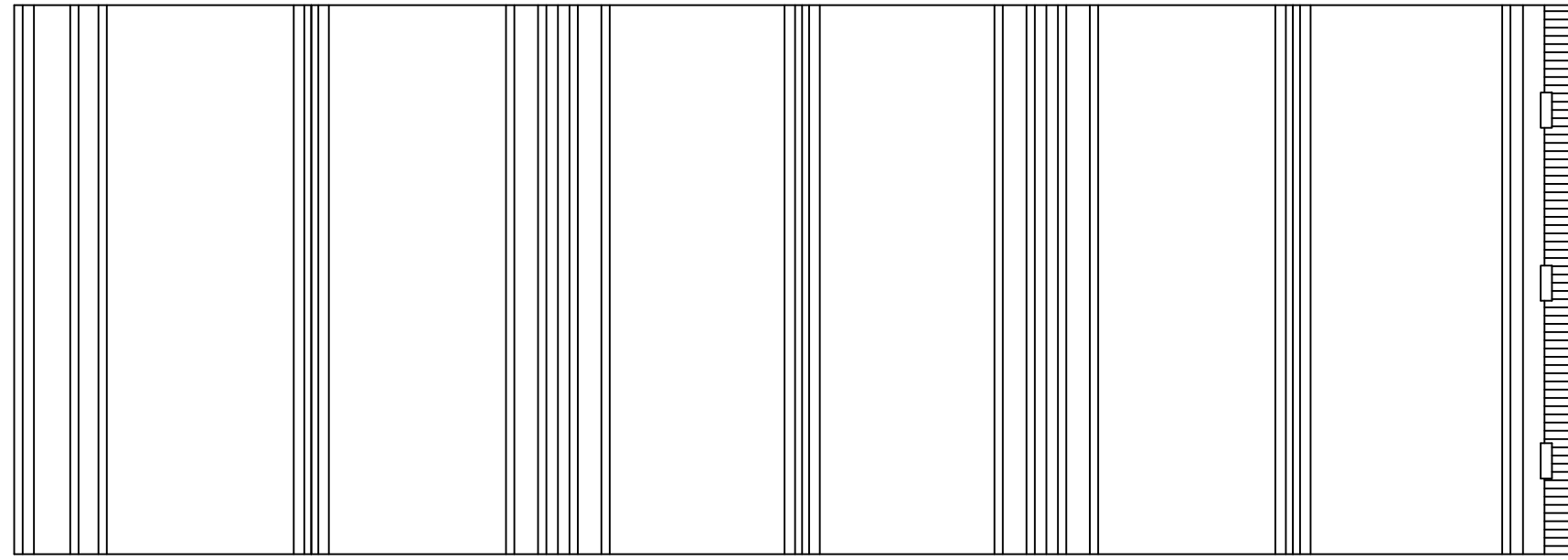
DRAWN BY:	RJA	DATE:	04/11/13
SCALE:	N.T.S.	DRAWING NO.:	KAY0007
REV:	A	SHEET:	8 OF 15

PREPARED BY: PTC PRODUCT DESIGN GROUP, LLC  
P.O. Box 520775  
Longwood, FL 32752-0775  
Phone: 321.690.1788  
Fax: 321.690.1789  
Email: info@ptc-corp.com

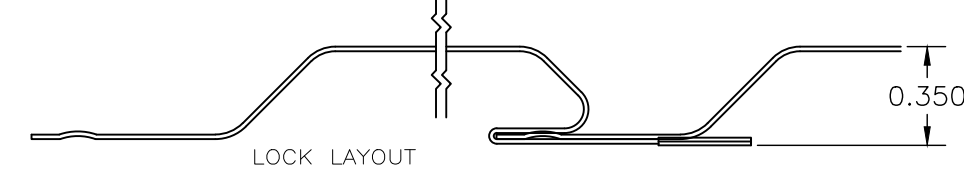
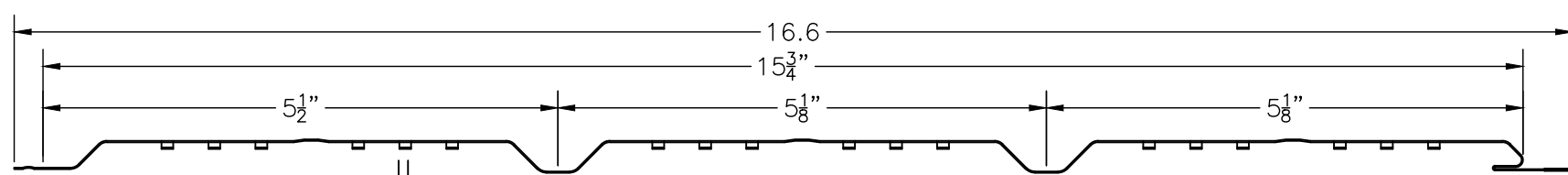
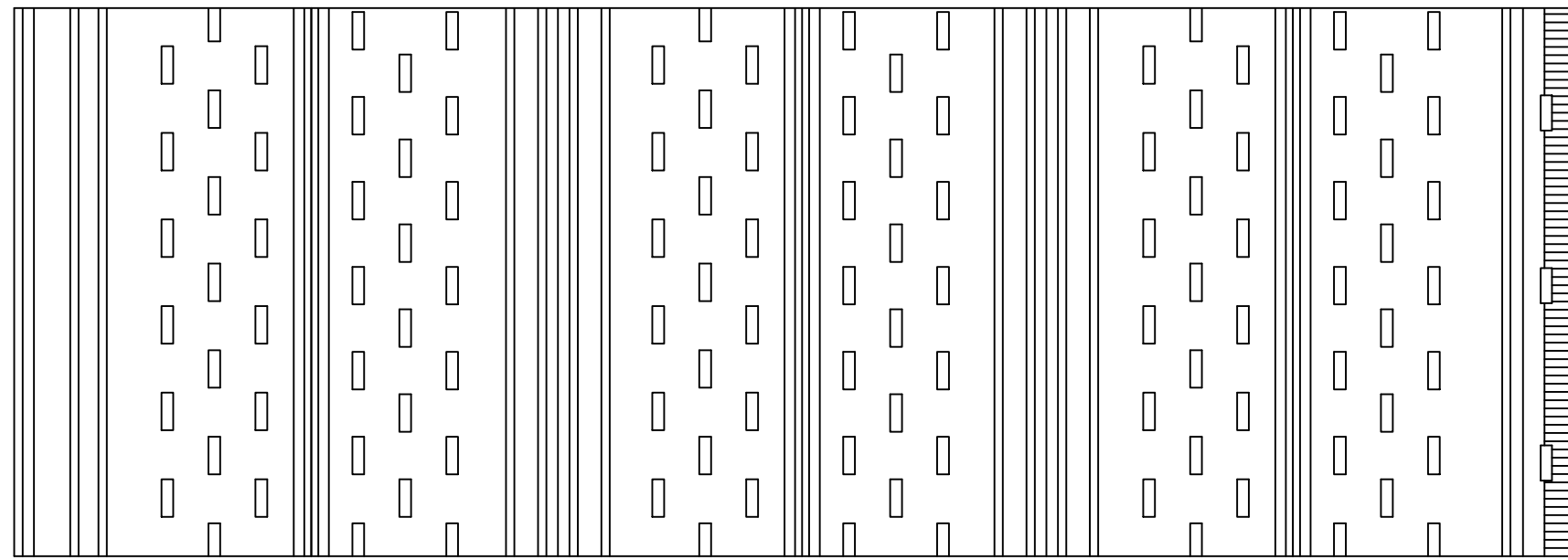
Robert J. Amoruso, P.E.  
Florida P.E. No. 49752







SP-600 16" SOLID SOFFIT - ALUMINUM



SP-600 16" VENTED SOFFIT - ALUMINUM

PROJECT #415-0229

REV	DESCRIPTION	DATE	BY
A	UPDATE TO THE 5TH EDITION (2014) FBC	6/7/15	RJA

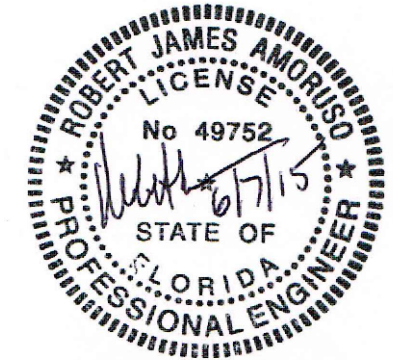
KAYCAN LTD  
1 MEMORIAL DRIVE  
RICHFORD, VT 05476

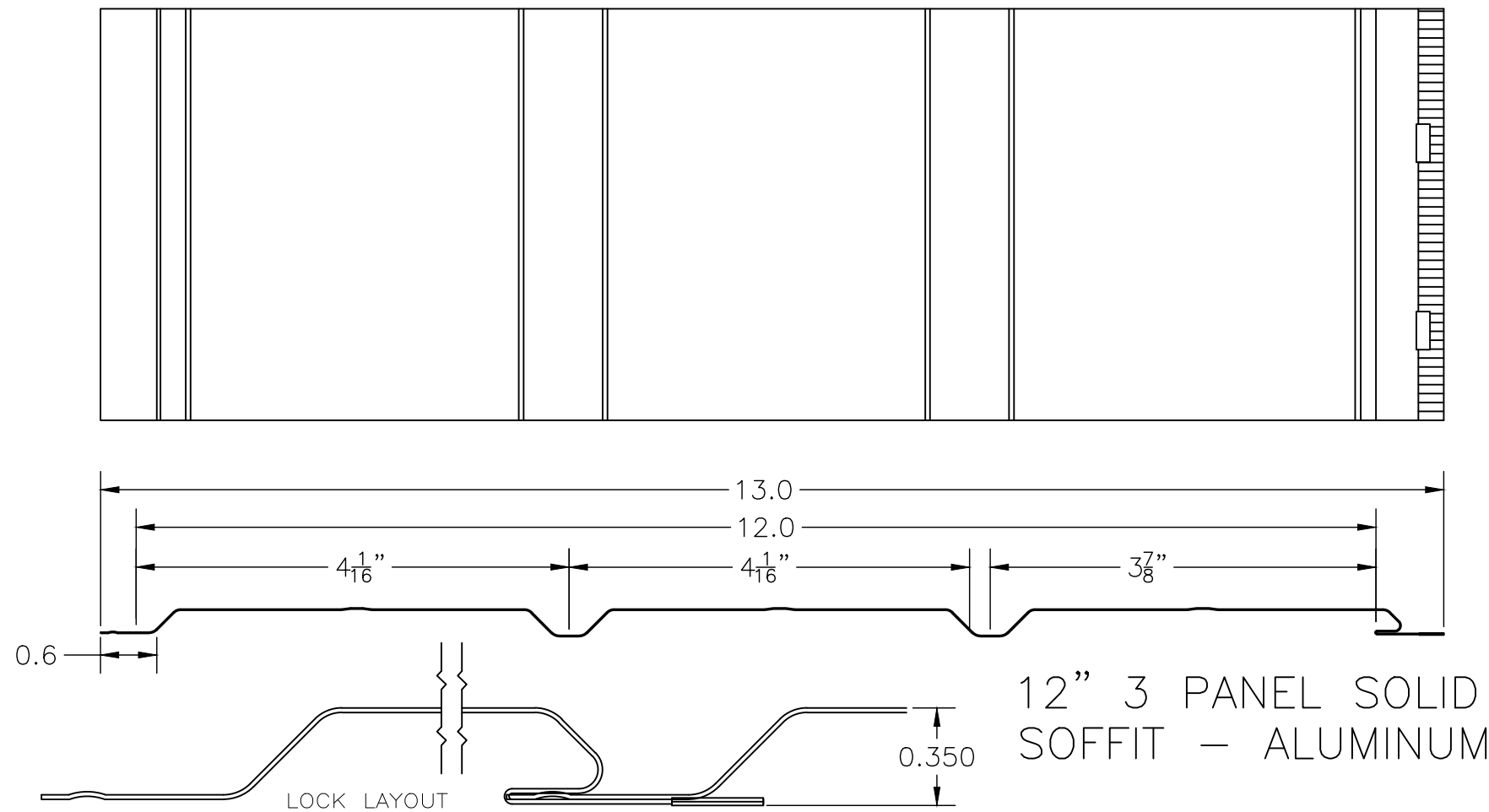
TITLE: VINYL/PVC AND ALUMINUM SOFFIT INSTALLATION  
SP-600 16" SOLID & VENTED SOFFIT - ALUMINUM

DRAWN BY:	RJA	DATE:	04/11/13
SCALE:	N.T.S.	DRAWING NO.:	KAY0007
REV:	A	SHEET:	9 OF 15

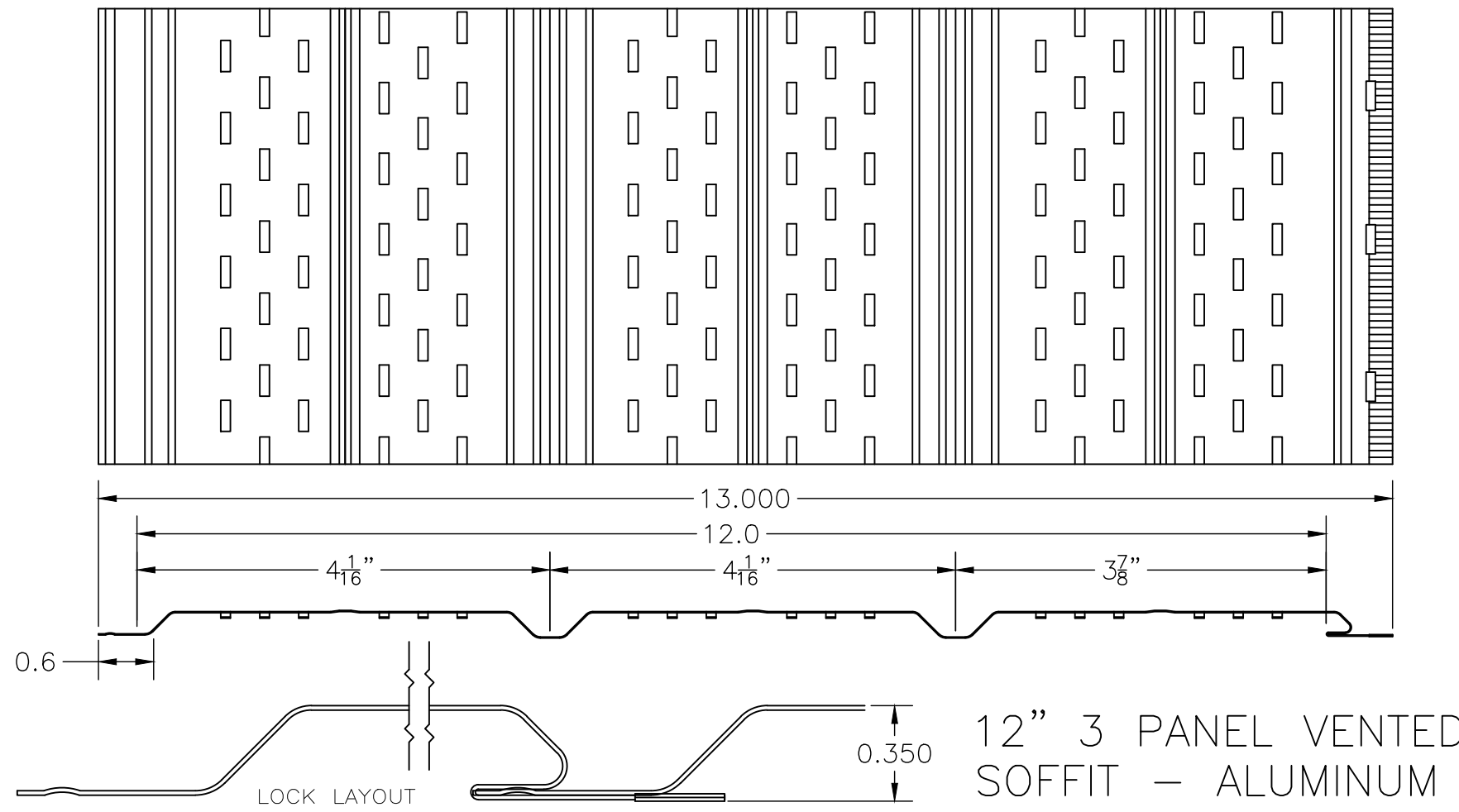
**PDC**  
PTC PRODUCT DESIGN GROUP, LLC  
P.O. Box 520775  
Longwood, FL 32752-0775  
Phone: 321.690.1788  
Fax: 321.690.1789  
Email: info@pdc-corp.com

Robert J. Amoruso, P.E.  
Florida P.E. No. 49752





12" 3 PANEL SOLID SOFFIT - ALUMINUM



12" 3 PANEL VENTED SOFFIT - ALUMINUM

PROJECT #415-0229

REV	DESCRIPTION	DATE	BY
A	UPDATE TO THE 5TH EDITION (2014) FBC	6/7/15	RJA

KAYCAN LTD  
1 MEMORIAL DRIVE  
RICHFORD, VT 05476

TITLE: VINYL/PVC AND ALUMINUM SOFFIT INSTALLATION  
12" 3 PANEL SOLID & VENTED SOFFIT - ALUMINUM

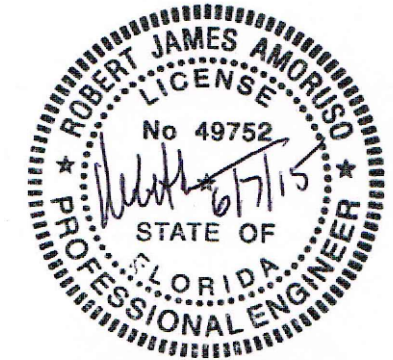
PREPARED BY: RJA  
DRAWN BY: RJA  
SCALE: N.T.S.  
REV: A

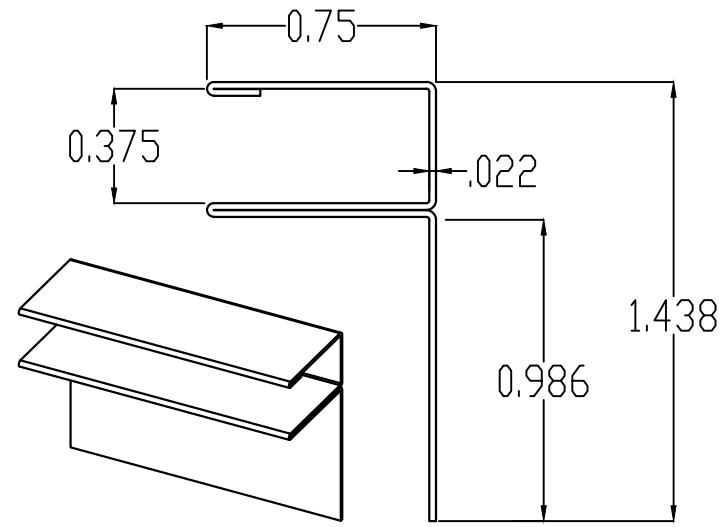
DATE: 04/11/13  
DRAWING NO: KAY0007  
SHEET: 10 OF 15

**PDC**

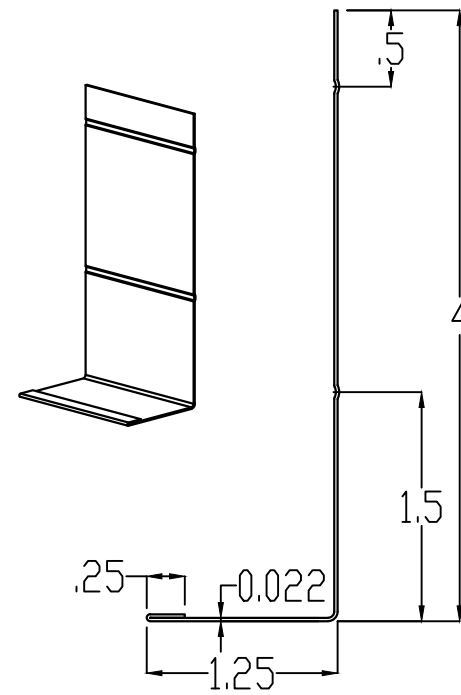
PTC PRODUCT DESIGN GROUP, LLC  
P.O. Box 520775  
Longwood, FL 32752-0775  
Phone: 321.690.1788  
Fax: 321.690.1789  
Email: info@pdc-corp.com

Robert J. Amoruso, P.E.  
Florida P.E. No. 49752

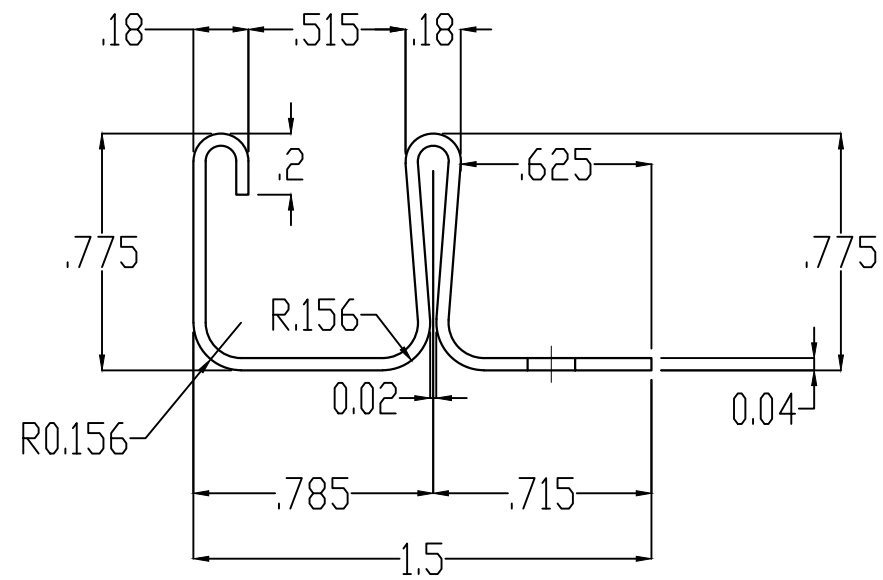




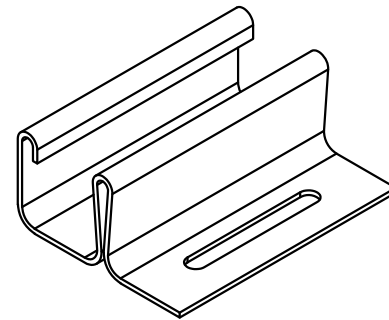
SOFFIT F-CHANNEL/TRIM  
ALUMINUM



4" FASCIA SMOOTH  
ALUMINUM



SOFFIT F-CHANNEL/TRIM  
VINYL



PROJECT #415-0229

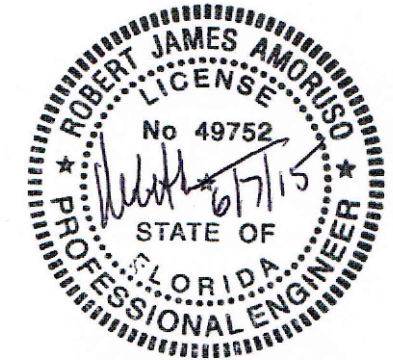
A	UPDATE TO THE 5TH EDITION (2014) FBC	6/7/15	RJA
REV	DESCRIPTION	DATE	BY

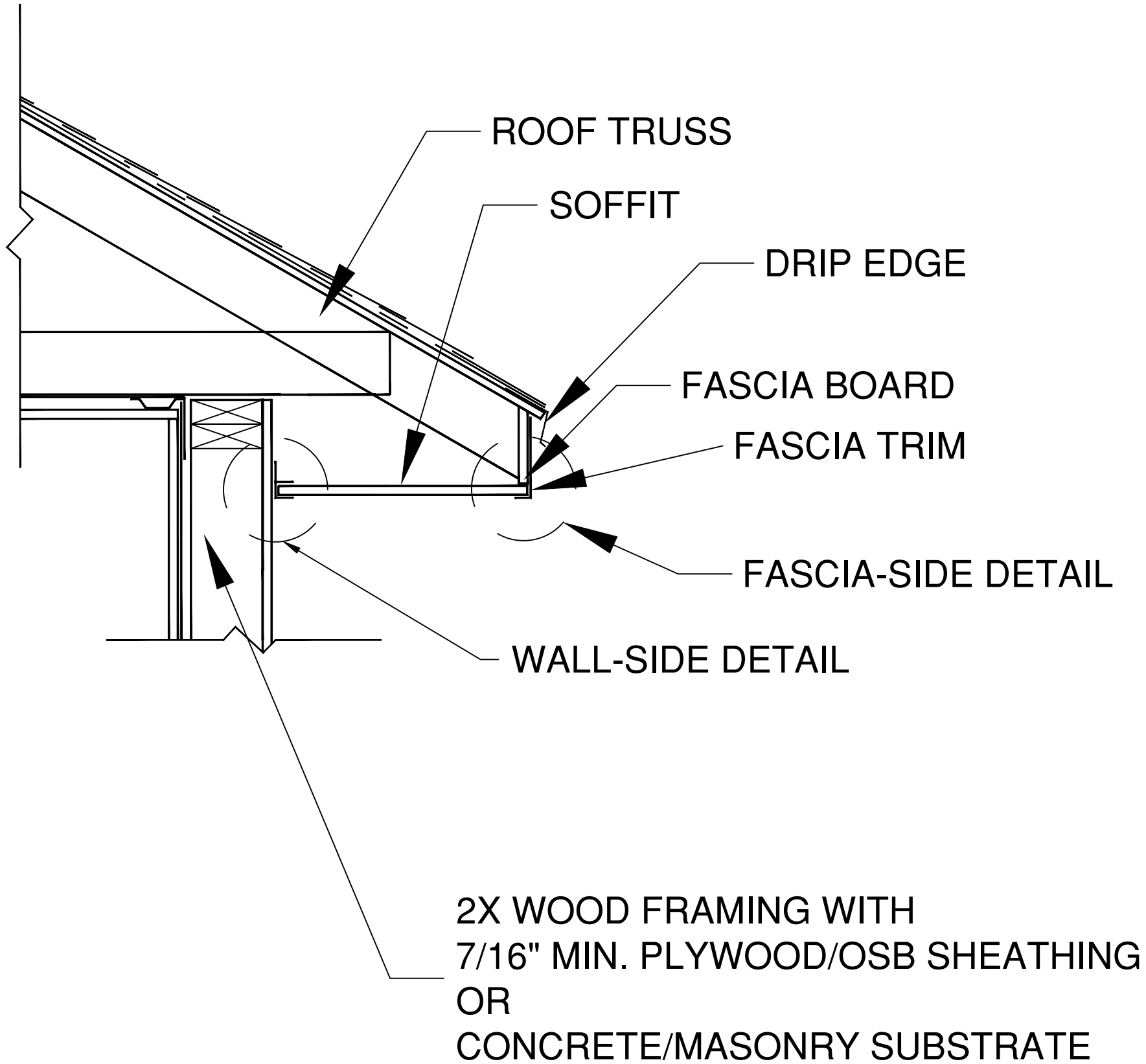
KAYCAN LTD  
1 MEMORIAL DRIVE  
RICHFORD, VT 05476  
TITLE: VINYL/PVC AND ALUMINUM SOFFIT INSTALLATION  
SOFFIT AND FASCIA TRIM

DRAWN BY: RJA	DATE: 04/11/13
SCALE: N.T.S.	DRAWING NO: KAY0007
REV: A	SHEET: 11 OF 15

**PTC**  
PTC PRODUCT DESIGN GROUP, LLC  
P.O. Box 520775  
Longwood, FL 32752-0775  
Phone: 321.690.1788  
Fax: 321.690.1789  
Email: info@ptc-corp.com

Robert J. Amoruso, P.E.  
Florida P.E. No. 49752





# ROOF/ WALL INTERFACE DETAIL

WOOD OR MASONRY/CONCRETE SUBSTRATE

PROJECT #415-0229

A	UPDATE TO THE 5TH EDITION (2014) FBC	6/7/15	RJA
REV	DESCRIPTION	DATE	BY

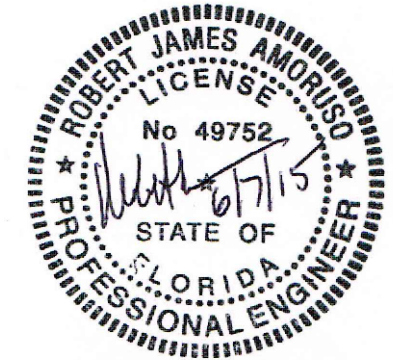
KAYCAN LTD  
1 MEMORIAL DRIVE  
RICHFORD, VT 05476

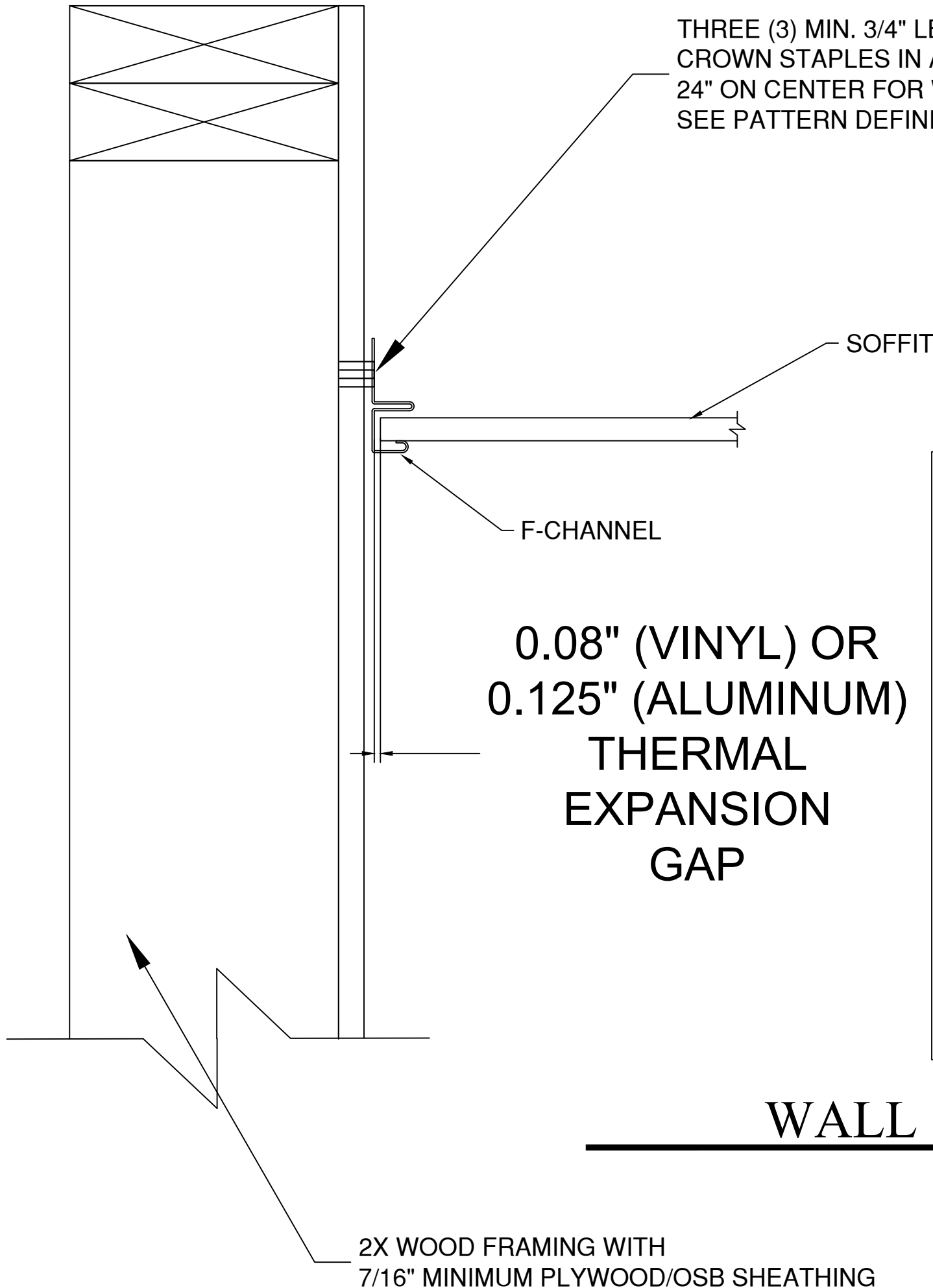
TITLE: VINYL/PVC AND ALUMINUM SOFFIT INSTALLATION  
SOFFIT INSTALLATION CROSS SECTION

DRAWN BY: RJA	DATE: 04/11/13
SCALE: N.T.S.	DRAWING NO: KAY0007
REV: A	SHEET: 12 OF 15

**PTC**  
PTC PRODUCT DESIGN GROUP, LLC  
P.O. Box 520775  
Longwood, FL 32752-0775  
Phone: 321.690.1788  
Fax: 321.690.1789  
Email: info@ptc-corp.com

Robert J. Amoruso, P.E.  
Florida P.E. No. 49752



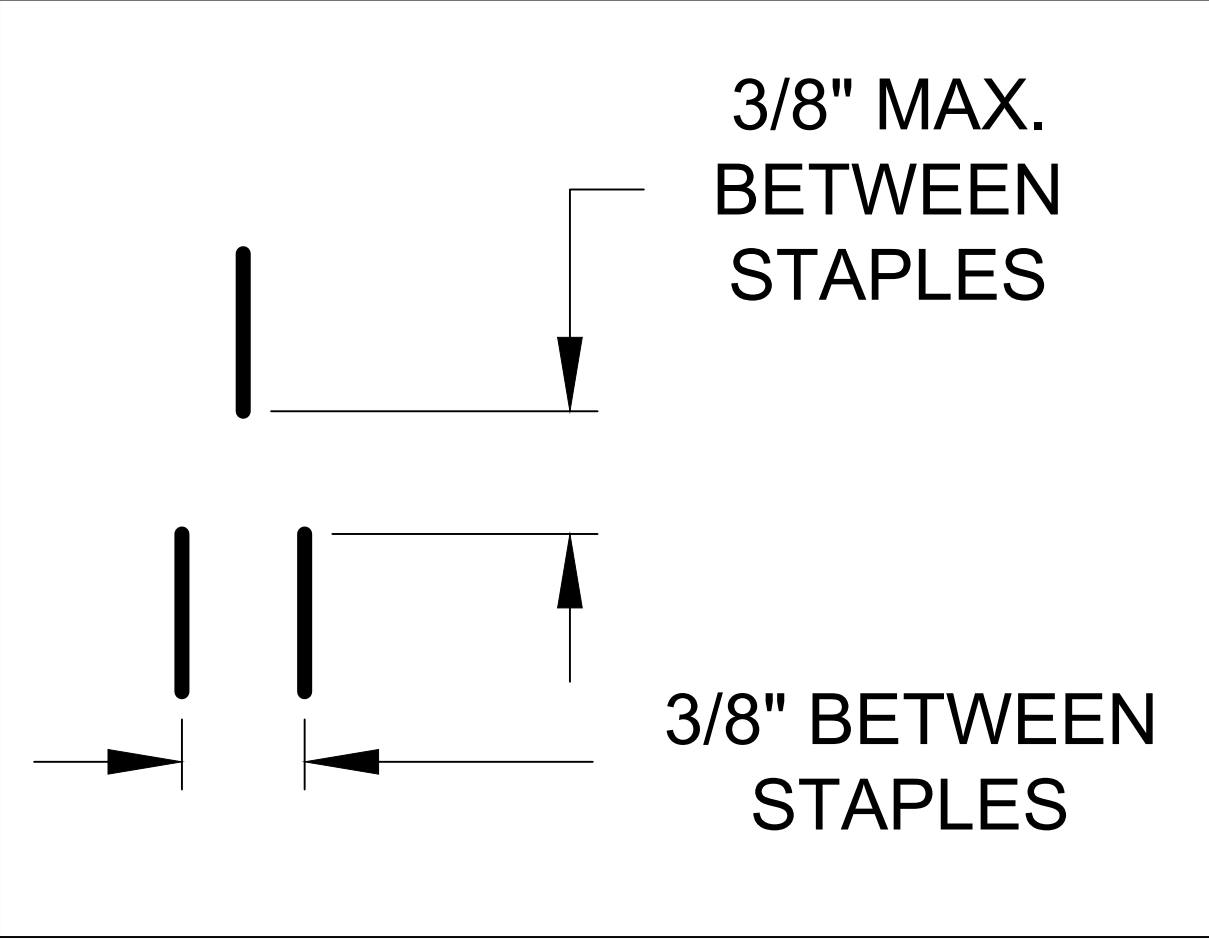


THREE (3) MIN. 3/4" LEG LENGTH X 1/4" WIDTH CROWN STAPLES IN A TRIANGULAR PATTERN 24" ON CENTER FOR WOOD SUBSTRATE. SEE PATTERN DEFINITION BELOW.

SOFFIT

F-CHANNEL

0.08" (VINYL) OR  
0.125" (ALUMINUM)  
THERMAL  
EXPANSION  
GAP



3/8" MAX.  
BETWEEN  
STAPLES

3/8" BETWEEN  
STAPLES

## WALL SIDE - STAPLE DETAIL

WOOD SUBSTRATE

2X WOOD FRAMING WITH  
7/16" MINIMUM PLYWOOD/OSB SHEATHING

PROJECT #415-0229

A	UPDATE TO THE 5TH EDITION (2014) FBC	6/7/15	RJA
REV	DESCRIPTION	DATE	BY

**KAYCAN LTD**  
1 MEMORIAL DRIVE  
RICHFORD, VT 05476

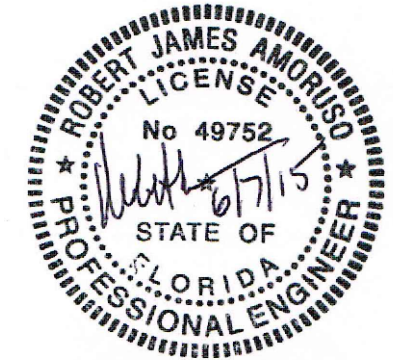
TITLE: VINYL/PVC AND ALUMINUM SOFFIT INSTALLATION  
WALL SIDE - STAPLE DETAIL

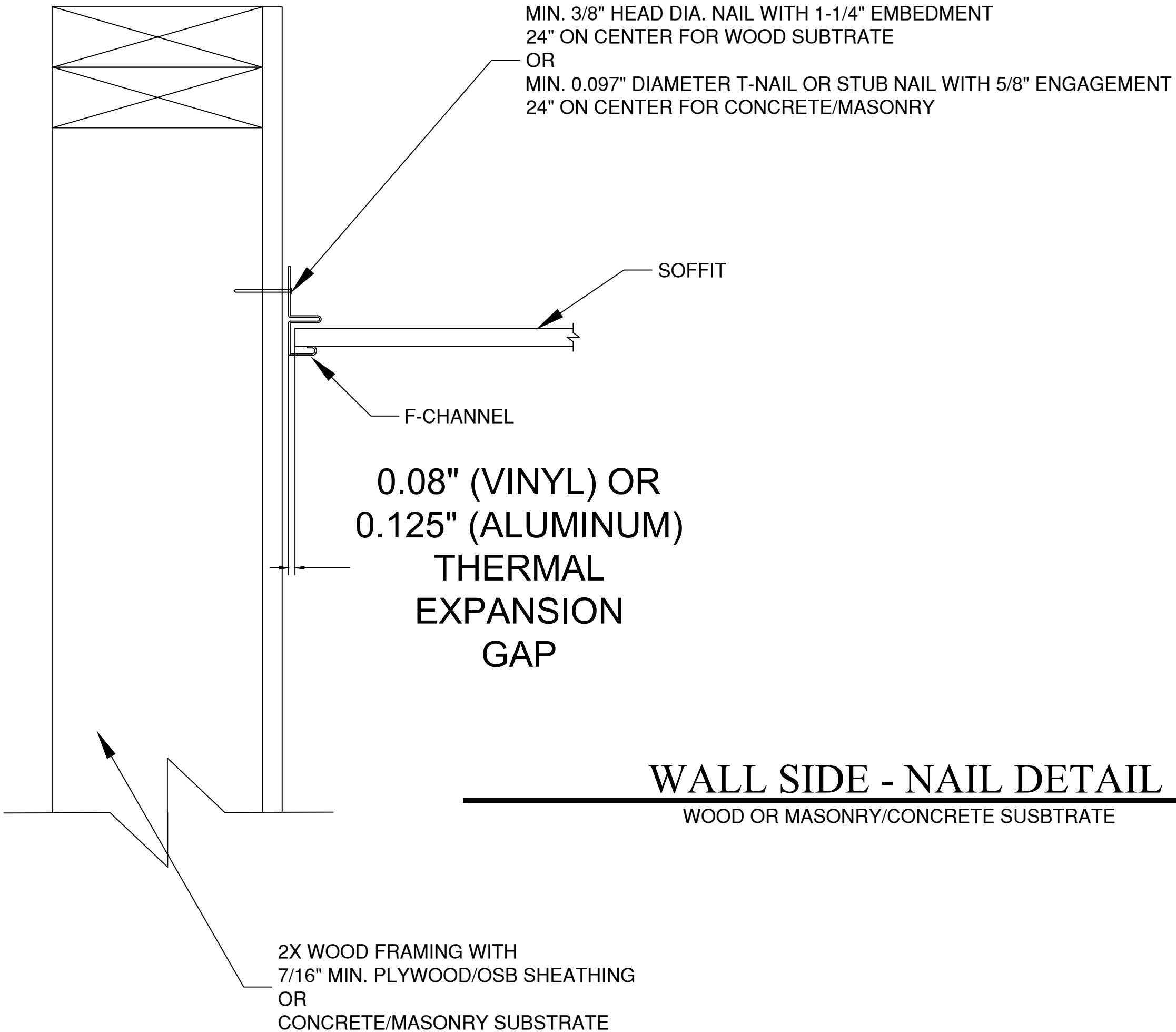
PREPARED BY: RJA  
SCALE: N.T.S.  
REV: A

DATE: 04/11/13  
DRAWING NO: KAY0007  
SHEET: 13 OF 15

**PTC**  
PTC PRODUCT DESIGN GROUP, LLC  
P.O. Box 520775  
Longwood, FL 32752-0775  
Phone: 321.690.1788  
Fax: 321.690.1789  
Email: info@ptc-corp.com

Robert J. Amoruso, P.E.  
Florida P.E. No. 49752





## WALL SIDE - NAIL DETAIL

WOOD OR MASONRY/CONCRETE SUBSTRATE

PROJECT #415-0229

A	UPDATE TO THE 5TH EDITION (2014) FBC	6/7/15	RJA
REV	DESCRIPTION	DATE	BY

KAYCAN LTD  
1 MEMORIAL DRIVE  
RICHFORD, VT 05476

TITLE: VINYL/PVC AND ALUMINUM SOFFIT INSTALLATION  
WALL SIDE - NAIL DETAIL

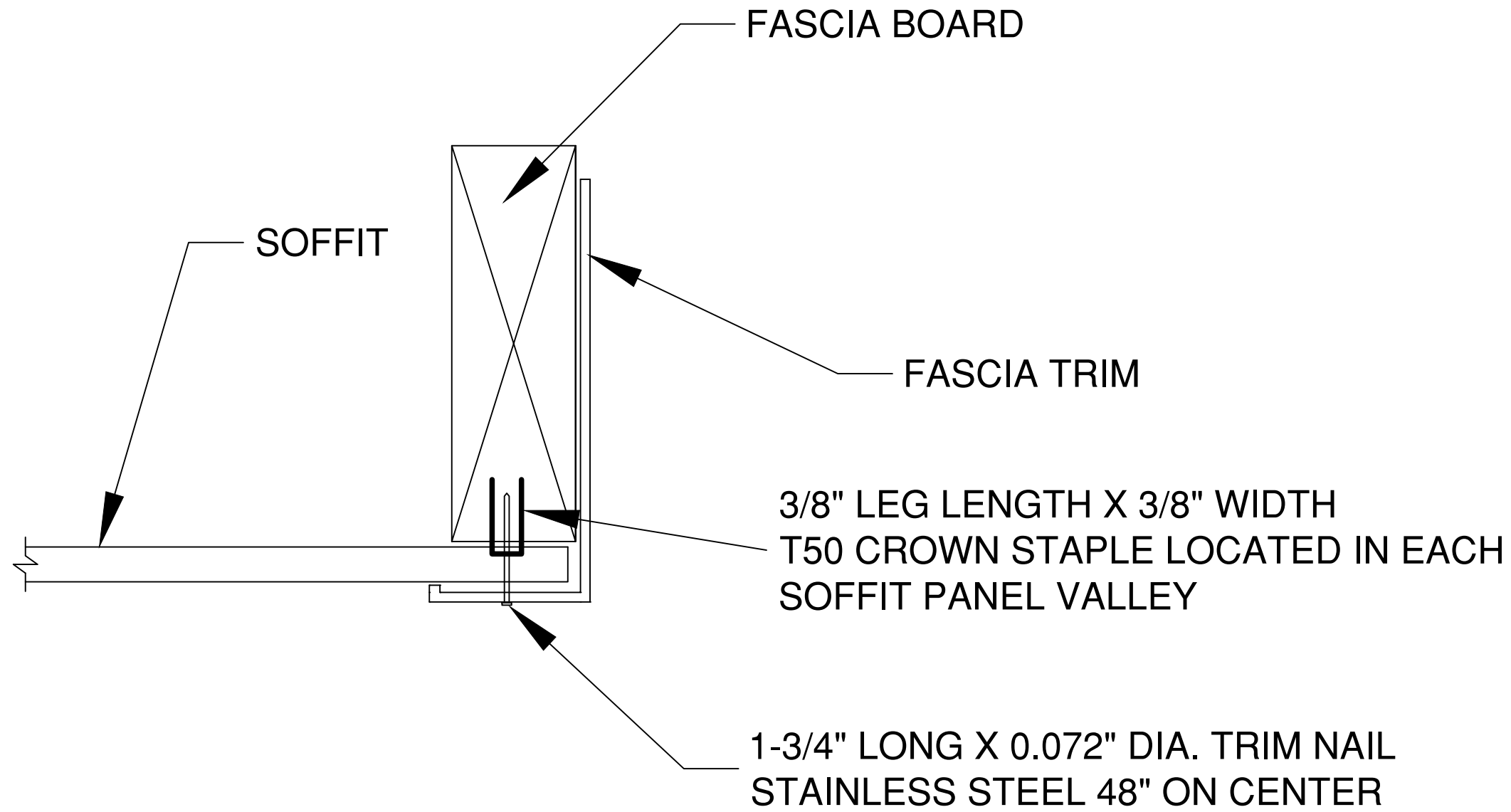
DATE:	04/11/13
DRAWING NO.:	KAY0007
DATE:	04/11/13
DRAWING NO.:	KAY0007
SCALE:	N.T.S.
REV:	A
SHEET:	14 OF 15



PTC PRODUCT DESIGN GROUP, LLC  
P.O. Box 520775  
Longwood, FL 32752-0775  
Phone: 321.690.1788  
Fax: 321.690.1789  
Email: info@ptc-corp.com

Robert J. Amoruso, P.E.  
Florida P.E. No. 49752





## EAVE/FASCIA SIDE DETAIL

WOOD OR MASONRY/CONCRETE SUBSTRATE

PROJECT #415-0229

KAYCAN LTD  
 1 MEMORIAL DRIVE  
 RICHFORD, VT 05476  
 TITLE: VINYL/PVC AND ALUMINUM SOFFIT INSTALLATION  
 EAVE/FASCIA SIDE DETAIL

DRAWN BY:	RJA	DATE:	04/11/13
SCALE:	N.T.S.	DRAWING NO.:	KAY0007
REV:	A	SHEET:	15 OF 15

REV	DESCRIPTION	DATE	BY
A	UPDATE TO THE 5TH EDITION (2014) FBC	6/7/15	RJA

Robert J. Amoruso, P.E.  
 Florida P.E. No. 49752

