

Specifications

32-Meter Concrete Pump

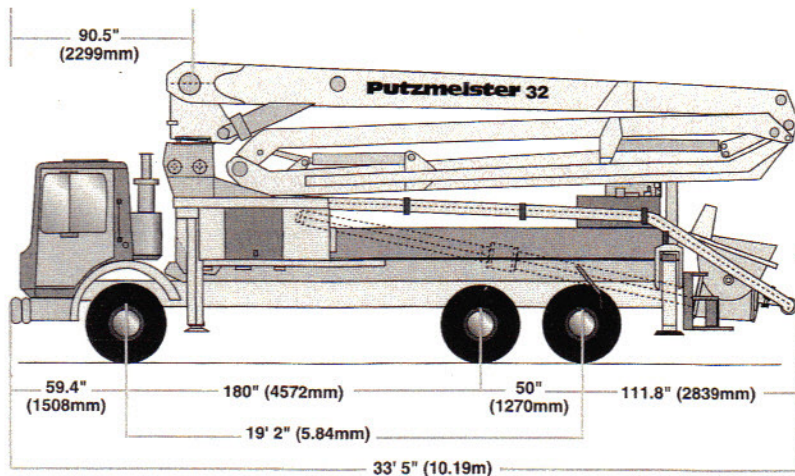
Truck-Mounted Specifications

Based on Model MACK MR688S

Length	33'5"	(10.19m)
Width	8'2"	(2.50m)
Height	13'0"	(3.96m)
Wheelbase	205"	(5207mm)
Front axle weight	19,400 lbs	(8,800kg)
Rear axle weight	33,400 lbs	(15,150kg)
Approx total weight	52,800 lbs	(23,950kg)

Weights are approximate and include pump, boom, truck, full hydraulic oil, driver and some fuel. Varies with options selected.

Dimensions will vary with different truck makes, models and specifications.



BSF Model Illustrated

Boom Specifications • Roll and Fold Design

Height & Reach

Vertical reach	103'10"	(31.67m)
Horizontal reach	91'10"	(28.00m)
Reach from front of truck*	84'4"	(25.69m)
Reach depth	69'8"	(21.24m)
Unfolding height	24'10"	(7.60m)

4-Section Boom

1st section articulation	110°	
2nd section articulation	180°	
3rd section articulation	180°	
4th section articulation	270°	
1st section length	25'4"	(7.70m)
2nd section length	23'1"	(7.05m)
3rd section length	23'1"	(7.05m)
4th section length	20'4"	(6.20m)

General Specs

Pipeline size (ID) metric ends	5"	(125mm)
with couplings	5.5"	(140mm)
Rotation	365°	
End hose-length (heavy duty)	10'	(3m)
End hose-diameter	5"	(125mm)
Outtrigger spread L-R-front telescopic diagonal	20'4"	(6.20m)
Outtrigger spread L-R-rear telescope	13'2"	(4.00m)

Pump Specifications

32.12L

32.16H

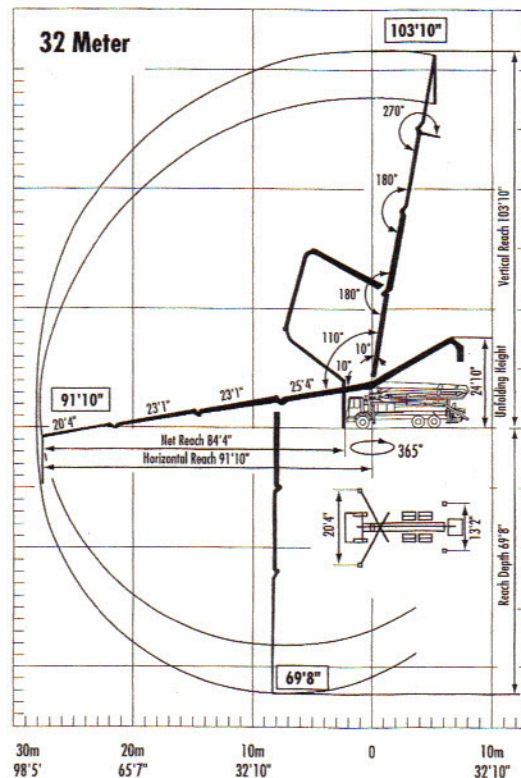
Output-	rod side	152 yd ³ /hr (116m ³ /hr)	210 yd ³ /hr (160m ³ /hr)
	piston side	94 yd ³ /hr (72m ³ /hr)	146 yd ³ /hr (112m ³ /hr)
Pressure-	rod side	1015 psi (70 bar)	1233 psi (85 bar)
	piston side	1624 psi* (112 bar)*	1885 psi* (130 bar)*
Concrete cylinder diameter		9" (230mm)	9" (230mm)
Stroke length		83" (2100mm)	83" (2100mm)
Max strokes per minute-			
	rod side	22	31
	piston side	14	21
Volume control		0-Full	0-Full
Vibrator		Standard	Standard
Hard chromed concrete cylinders		Standard	Standard
Hydraulic system		Free Flow	Free Flow
Hydraulic system pressure	5075 psi (350 bar)	5075 psi (350 bar)	5075 psi (350 bar)
Differential cylinder diameter	5.1" (130mm)	5.5" (140mm)	5.5" (140mm)
Rod diameter	3.1" (80mm)	3.1" (80mm)	3.1" (80mm)
Maximum size aggregate	2.5" (63mm)	2.5" (63mm)	2.5" (63mm)
Water Tank	185 gal (700L)	185 gal (700L)	185 gal (700L)

Maximum theoretical values listed.

* Applies to units mounted on PMA stock truck-MACK MR688S

• Standard delivery line system rated at max line pressure of 1233 psi (85 bar)

Right to make technical amendments reserved.



Putzmeister America
1733 90th Street
Sturtevant
Wisconsin 53177 USA

Telephone (414) 886-3200
Facsimile (414) 886-3212
www.putzmeister.com