



CitiLoc®

Electronic Keypad Lock



**LIBERTY
BUILDING
PRODUCTS**



ELECTRONIC

keypad features

- Provides the convenience of keyless access.
- Operate by keypad or mechanical key.
- Auto locking function.
- Powered by Four - AA (1.5V) Alkaline batteries.
- Designed to fit standard door prep - 2-1/8" cross bore. No extra mounting hole required.
- One Programming Code for setting functions, up to 6 different user codes for door access.
- User codes length 4-10 digits.
- User codes can be deleted individually or all at once.
- Easy to restore factory settings.
- Security protection for invalid code input.
- Low power consumption and low battery notification.
- LED illumination, able to operate in the dark.



Pick Resistant



Bump Resistant



Pry Resistant

lever specification

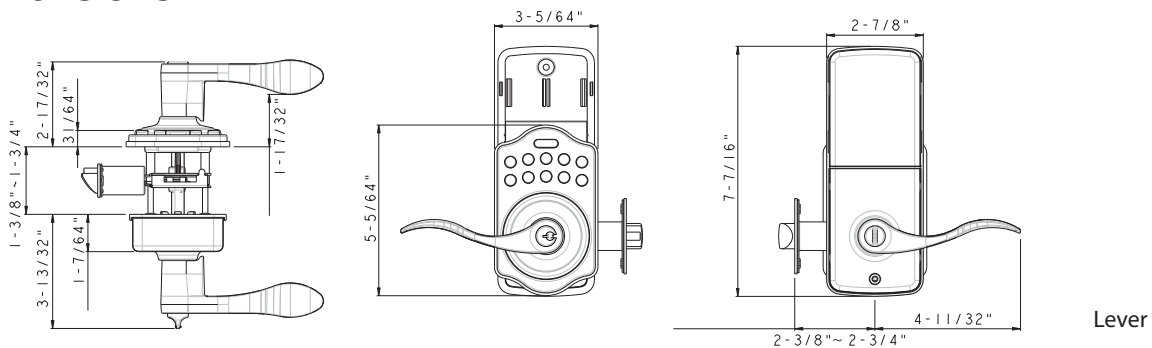
function	Entrance
door prep	Cross bore: 2-1/8" Edge bore: 1"
backset	Adjustable 2-3/8" and 2-3/4"
door thickness	Fits 1-3/8" ~ 1-3/4"
cylinder	SC1 standard.
faceplate	1" x 2-1/4" round corner, and Drive-In.
strike	9103 - 1-3/4" x 2-1/4" full lip strike, round corner.
latch	1/2" throw. Adjustable 4-way design. Standard with Mortise round corner, can be changed to Drive-In latch.
lever style	Royal (RY)
door handing	Reversible Lever



500PT-RY-US15
Entrance



lever dimensions



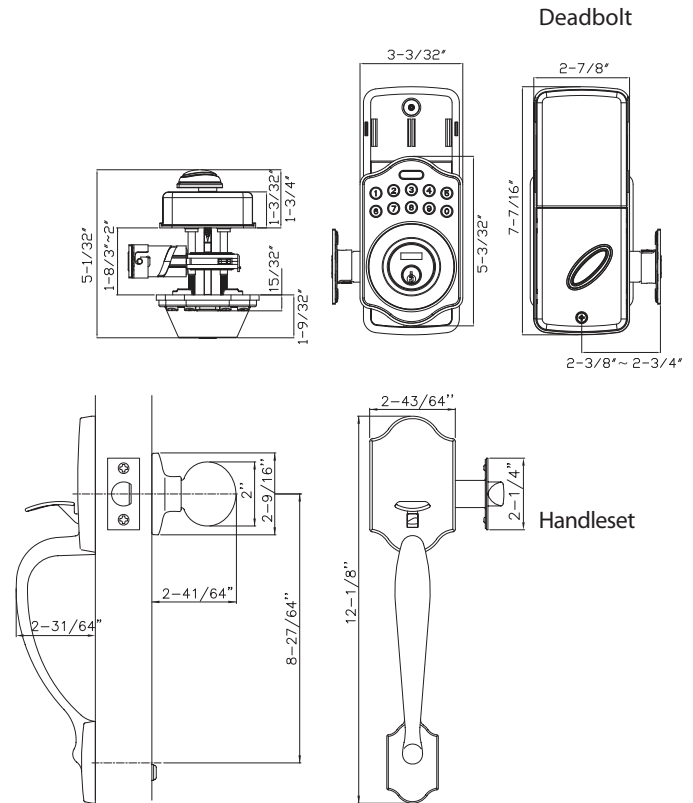
KEYPAD LOCKS



deadbolt specification

dimensions

function Single Cylinder Deadbolt
door prep Cross bore: 2-1/8"
 Edge bore: 1"
backset Adjustable 2-3/8" and 2-3/4"
door thickness Fits 1-3/8" ~ 1-3/4"
cyliner SC1 standard.
faceplate 1" x 2-1/4" round corner, and Drive-In.
strike 9117 – 1-3/4" x 2-1/4" full lip strike
latch Full 1" throw, Stainless steel bolt with hardened steel rod insert.
 Adjustable 4-way design, standard with Mortise round corner, can be changed to Drive-In latch.
door handing Reversible, electronic detection.



Easy to Install



Keyless Access

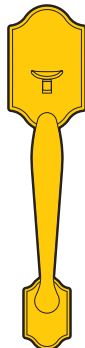
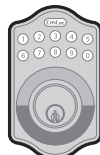


Code Protection



Battery Powered

Suggested Combination



Knob



Lever

Handleset

200PL-US12P
Single Cylinder



keypad price list

CODE	FUNCTION	MODEL NO.	LIST PRICE	QTY/CTN
KP5003	Entrance Lever	500PT-RY-US3	219.40	6 Pcs
KP5004	Entrance Lever	500PT-RY-US15	219.40	6 Pcs
KP5007	Entrance Lever	500PT-RY-US12P	219.40	6 Pcs
KP2003	Single Cylinder Deadbolt	200PL-US3	191.05	6 Pcs
KP2004	Single Cylinder Deadbolt	200PL-US15	191.05	6 Pcs
KP2007	Single Cylinder Deadbolt	200PL-US12P	191.05	6 Pcs
KP4003	Single Cylinder Handleset	400PL-IM-US3 (w/ Imperial Handle)	276.10	1 Pc
KP4004	Single Cylinder Handleset	400PL-IM-US15 (w/ Imperial Handle)	276.10	1 Pc
KP4007	Single Cylinder Handleset	400PL-IM-US12P (w/ Imperial Handle)	276.10	1 Pc



Barn Door Hardware • Builders Hardware • Commercial Hardware • Hinges
Jambs • Locksets • Pocket Door Frames • PVC Products • Transoms

7 Mary Way • Hainesport, NJ 08036
Tel: 1-609-261-2200 • Fax: 1-609-261-2233
liberty@libertybp.net • www.libertybp.net