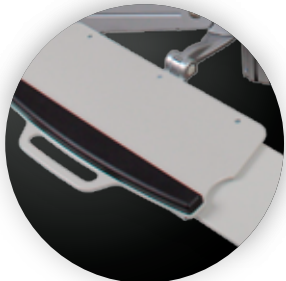




KNAPE & VOGT



INTELLIGENTLY DESIGNED

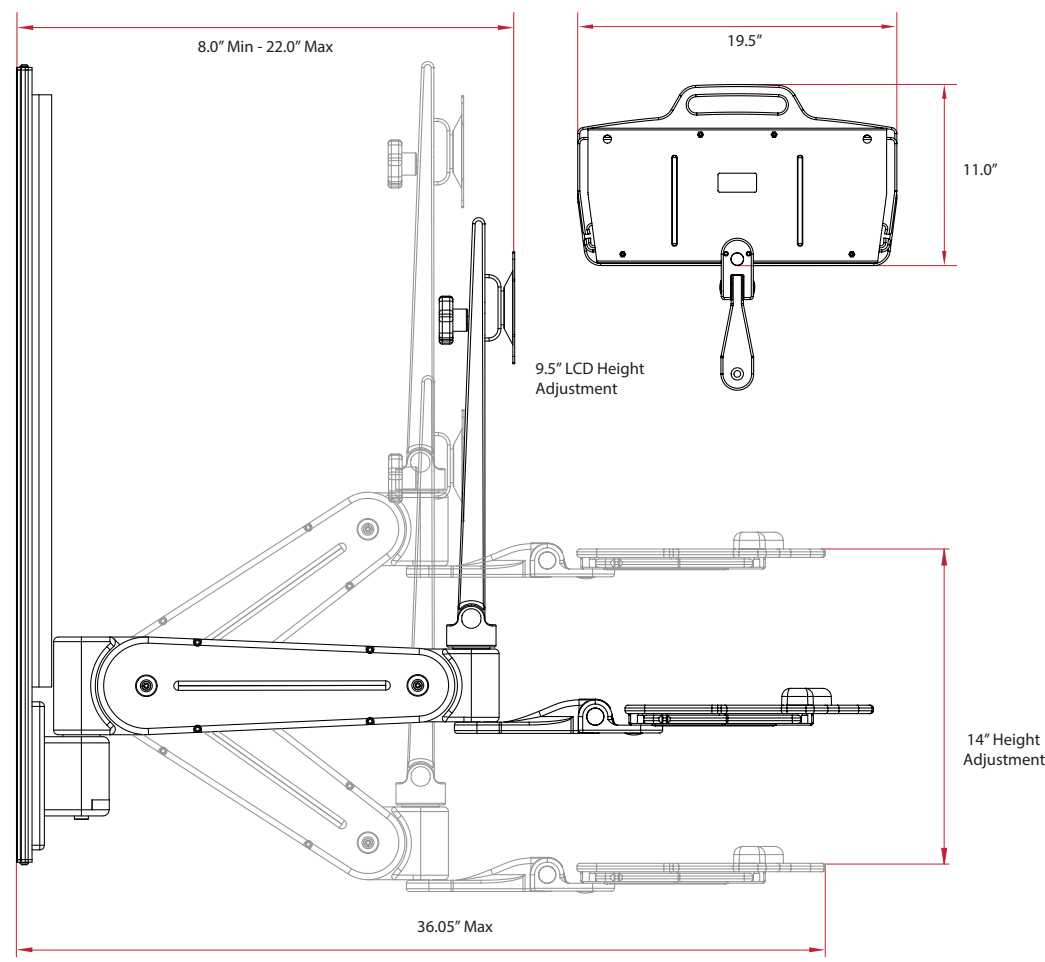
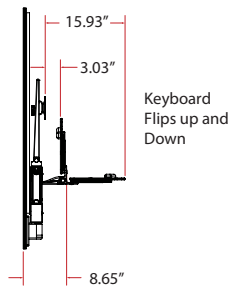
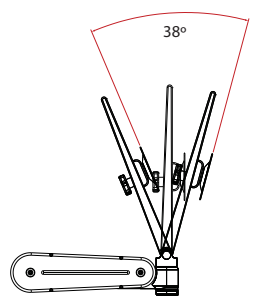
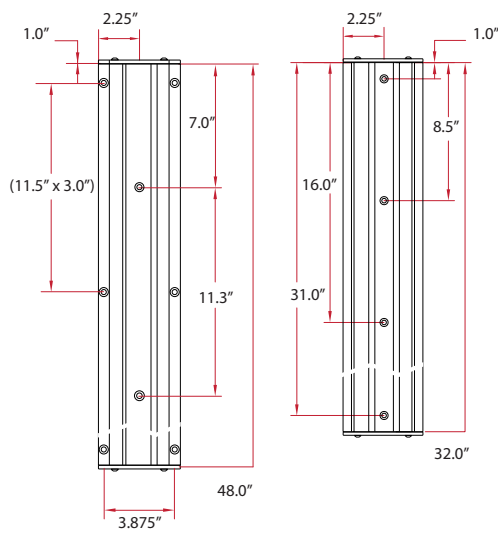
- Single hand workstation adjustments are effortless optimizing workflow efficiencies while sitting or standing
- Superior overall height adjustment range compared to other workstations maximizes versatility, ergonomics and comfort
- OSHPD Approved and Engineer Certified ensures installations meet local building codes and infrastructure requirements

INSTALLS IN MINUTES

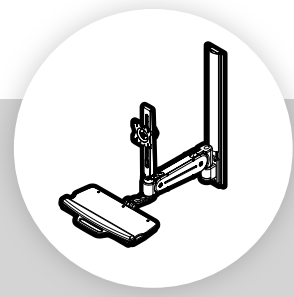
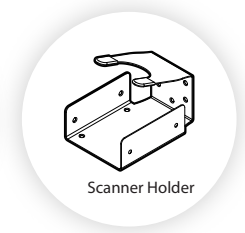
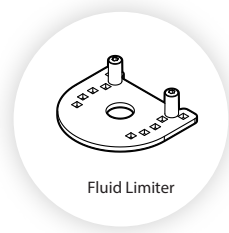
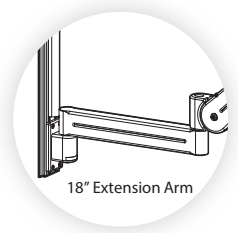
- Ships pre-assembled resulting in minimal after sale installation costs and reduced "down time" for critical care areas
- Complete mounting hardware is supplied resulting in seamless integration into multiple mounting surfaces
- Optional 48" track allows for direct to drywall applications optimizing positioning in rooms with limited real estate

BUILT FOR LIFE

- Maximum durability leads to long term dependability within varying EMR implementations and adaptations
- Superior weight capacity compared to other workstations leading to the most adaptable solution for evolving technology
- Optional Pivot Limiter prevents over rotation of arm into unwanted spaces protecting surrounding areas from damage



Fluid Accessories



Fluid™ HD Standard

Model	Description	LCD Height adjustment	Combo Arm Max Weight	Combo Arm Reach	LCD Rotation	Counter Balanced Height Range	LCD Tilt Range	Mounting Standard	OPA Number	Track Length
114020S32	Fluid HD w/workstation Shipping weight: 45 lbs. Box dimensions: 36 1/4" x 21" x 8 7/8"	9.5"	10-40 lbs.	8" - 40"	360°	270°	38°	VESA 75mm/100mm	2479.10	32"
114020S48	Fluid HD w/workstation Shipping weight: 40 lbs. & 12 lbs. Box dimensions: 36 1/4" x 21" x 8 7/8" & 50" x 5" x 4"	9.5"	10-40 lbs.	8" - 40"	360°	270°	38°	VESA 75mm/100mm	2479.10	48"



Contact Elliott for more information
1-888-345-8511
 healthcare.elliottdata.com