



KNAPE & VOGT



INTELLIGENTLY DESIGNED

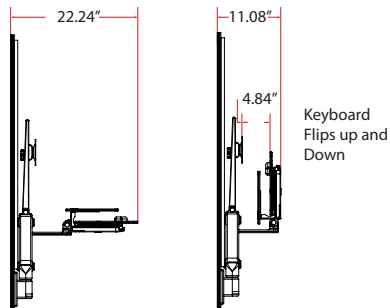
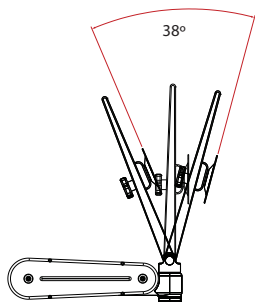
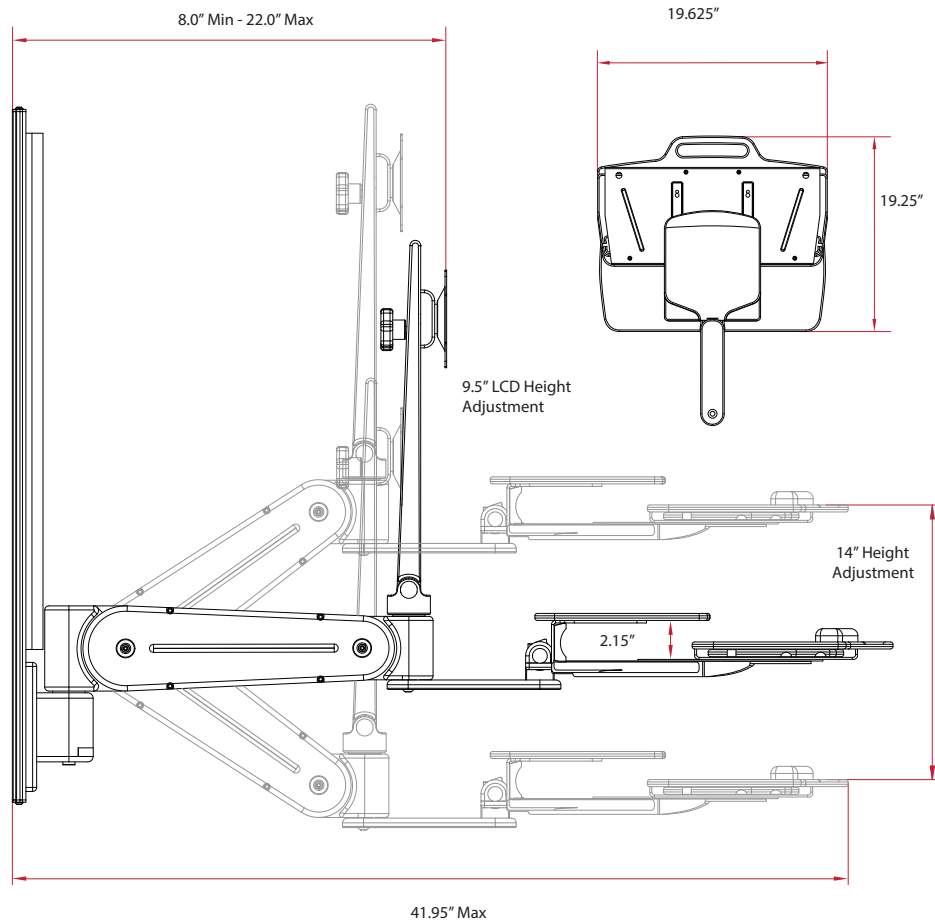
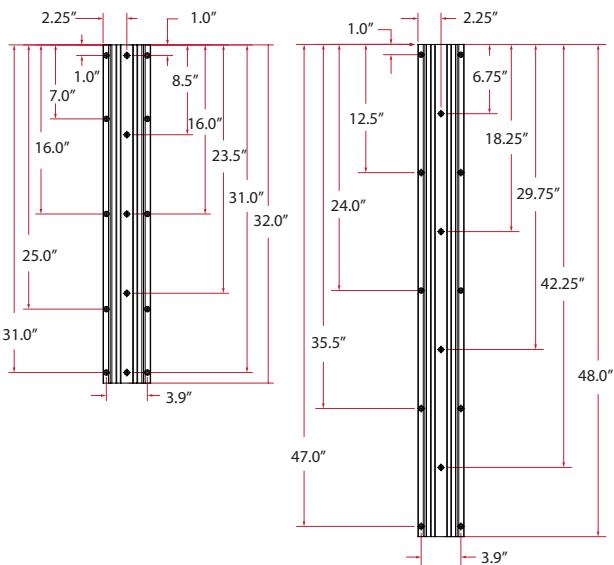
- Single hand workstation adjustments are effortless optimizing workflow efficiencies while sitting or standing
- Superior overall height adjustment range compared to other workstations maximizes versatility, ergonomics and comfort
- OSHPD Approved and Engineer Certified ensures installations meet local building codes and infrastructure requirements

INSTALLS IN MINUTES

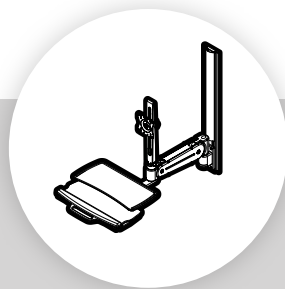
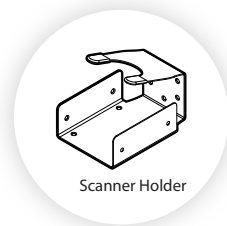
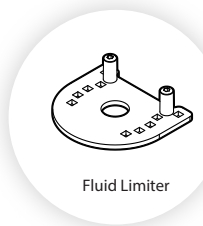
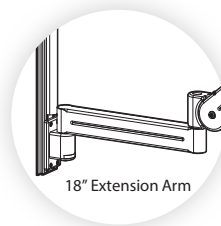
- Ships pre-assembled resulting in minimal after sale installation costs and reduced "down time" for critical care areas
- Complete mounting hardware is supplied resulting in seamless integration into multiple mounting surfaces
- 48" track allows for direct to drywall applications optimizing positioning in rooms with limited real estate

BUILT FOR LIFE

- Maximum durability leads to long term dependability within varying EMR implementations and adaptations
- Superior weight capacity compared to other workstations leading to the most adaptable solution for evolving technology
- Optional Pivot Limiter prevents over rotation of arm into unwanted spaces protecting surrounding areas from damage



Fluid Accessories



Silver

Finish:



Fluid™ HD Workstation

FluidSeries

| Model | Description | LCD Height adjustment | Combo Arm Max Weight | Combo Arm Reach | LCD Rotation | Counter Balanced Height Range | LCD Tilt Range | Mounting Standard | OPA Number | Track Length |
|---|------------------------|-----------------------|----------------------|-----------------|--------------|-------------------------------|----------------|-------------------|------------|--------------|
| 114041532 | Fluid HD w/workstation | 9.5" | 10-34 lbs. | 8" - 40" | 360° | 270° | 38° | VESA 75mm/100mm | 2479.10 | 32" |
| Shipping weight: 45 lbs. Box dimensions: 36 1/4" x 21" x 8 7/8" | | | | | | | | | | |
| 114041548 | Fluid HD w/workstation | 9.5" | 10-34 lbs. | 8" - 40" | 360° | 270° | 38° | VESA 75mm/100mm | 2479.10 | 48" |
| Shipping weight: 40 lbs. & 12 lbs. Box dimensions: 36 1/4" x 21" x 8 7/8" & 50" x 5" x 4" | | | | | | | | | | |



Contact Elliott for more information
1-888-345-8511
 healthcare.elliottdata.com