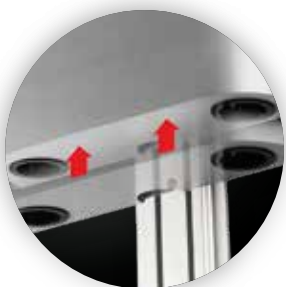




KNAPE & VOGT



INTELLIGENTLY DESIGNED

- Each unit designed for optimal access and stability measures to ensure equipment remains secure
- Streamline and adjustable to be compatible with the majority of systems on the market

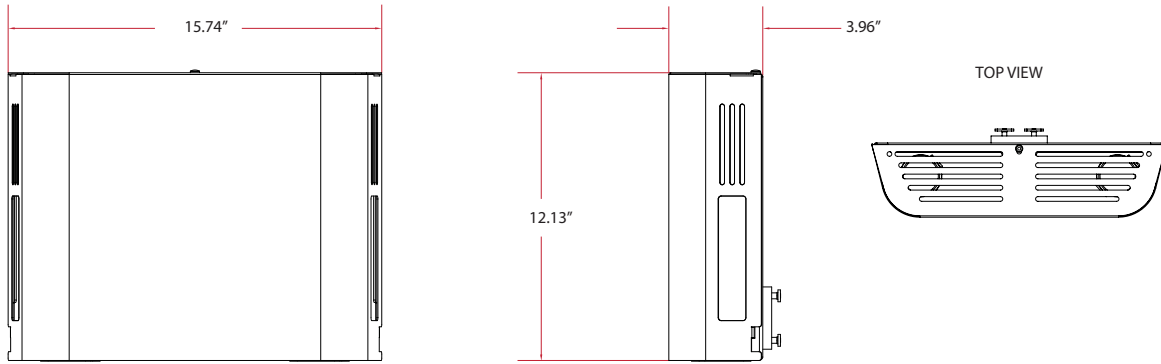
INSTALLS IN MINUTES

- Ships fully assembled resulting in minimal aftersale installation costs and reduced downtime for critical care areas
- Easily installed direct to wall track at any desired position

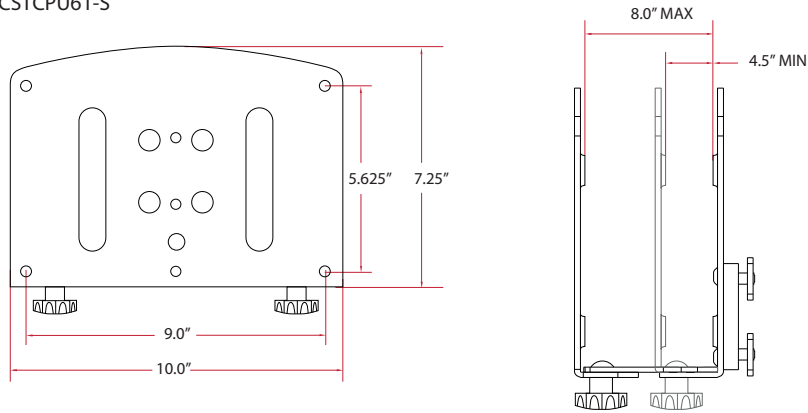
BUILT FOR LIFE

- Steel composition supports stability and long term dependability
- Maintains high infection control standards with durable anit-microbial agents incorporated into painted surfaces

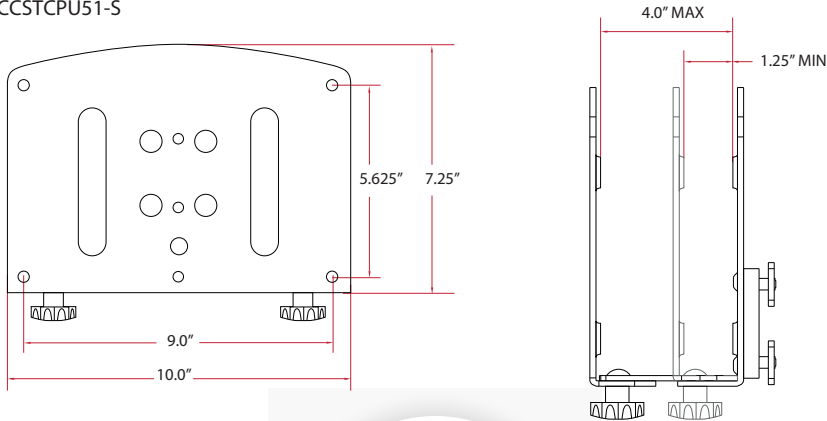
ACCSTCPU81-S



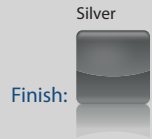
ACCSTCPU61-S



ACCSTCPU51-S



CPU Holders



Model	Width Adjustment	Weight	Storage
ACCSTCPU81-S	4-5.5"	14 lbs.	Fixed
Shipping weight: 14 lbs. Box dimensions: 21" x 17" x 11"			
ACCSTCPU61-S	4.5-8"	8 lbs.	Fixed
Shipping weight: 7 lbs. Box dimensions: 5" x 9" x 13"			
ACCSTCPU51-S	1.25-4"	7 lbs.	Fixed
Shipping weight: 7 lbs. Box dimensions: 5" x 9" x 13"			



Contact Elliott for more information
1-888-345-8511
healthcare.elliottdata.com