



**KNAPE & VOGT**



## INTELLIGENTLY DESIGNED

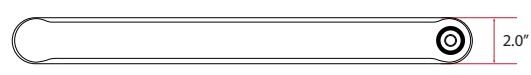
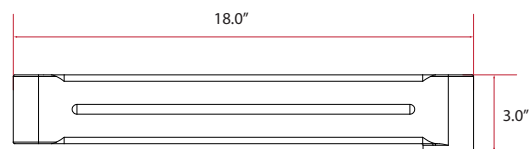
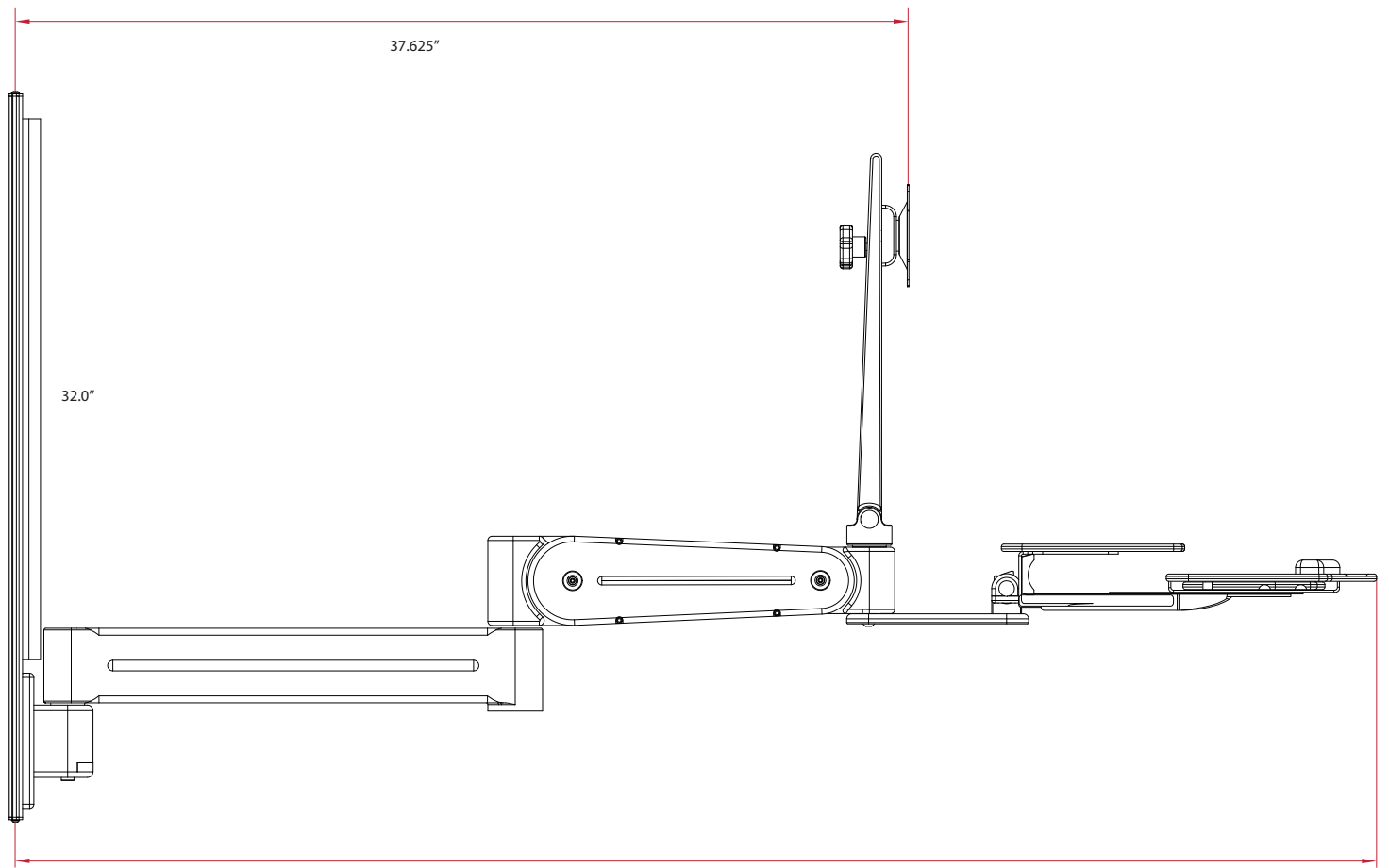
- Provides an additional 18" of horizontal reach
- Allows for 270° of lateral rotation, providing optimal privacy for clinician data entry

## INSTALLS IN MINUTES

- Requires tightening of 2 bolts to securely fasten in place

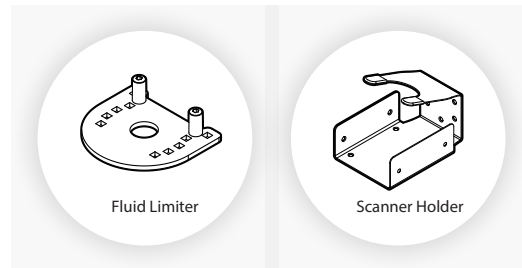
## BUILT FOR LIFE

- Constructed of over 95% aluminium material, ensuring strength and durability
- Optional Pivot Limiter prevents over rotation of arm into unwanted spaces protecting surrounding areas from damage

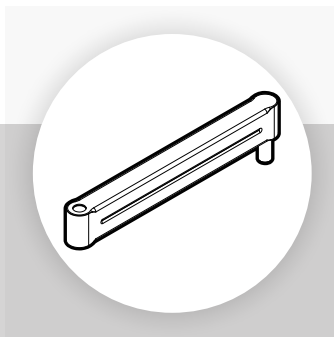


55.0" Max

Fluid Accessories



Fluid™ HD Extension Arm



Silver

Finish:



Fluid Series

Model	Description	Length	Width	Reach	Rotation
ACCFEXT18-S	Fluid HD extension arm	18"	2"	55" Total	270°

Notes: 1. Weight = packaged shipping weight per unit. 2. Specifications are subject to change without notice. Shipping Weight: 11 lbs. Box Dimensions: 2.5" x 16" x 20"



Contact Elliott for more information  
**1-888-345-8511**  
 healthcare.elliottdata.com