

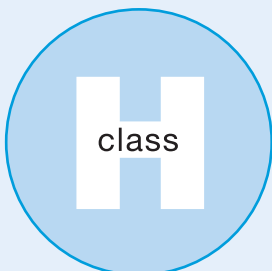


ALTUS

Mobile Technology Workstations — Non-Powered



Lightweight
as low as
34 lbs.



class

Laptop Kidney Locking Cart

COW57P

H Class Kidney Locking Laptop Cart COW57P



Model Number Worksurface Dimensions Base Dimensions Weight
 COW57P-XX-YYYY 22"D x 32"W 18"W x 20"D 41 lbs.
 (XX = counterbalance system - refer to pg.13, YYYY = worksurface color, refer to pg.14)



Base

- Reference: A18P - Polished
- 18" Height Adjustment (29" - 47")
- 100mm Highly Mobile Rollerblade Casters (2 Locking/2 Non-Locking)
- 18"W x 20"D Footprint
- Height Adjustment Hand Lever

Worksurface

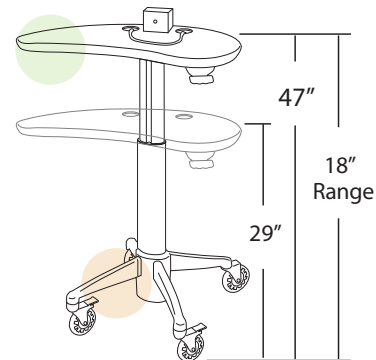
- Reference: TKL2232
- 1" Kidney Surface 32"W x 22"D
- Laptop Security System - Keyed w/cable & 2 grommet holes

Color

- Standard Color: 0141 (Cloud)



- 1" 3D Laminate with slope edge
- For Additional Color Options See Pg. 14



ANSI/BIFMA
Compliant

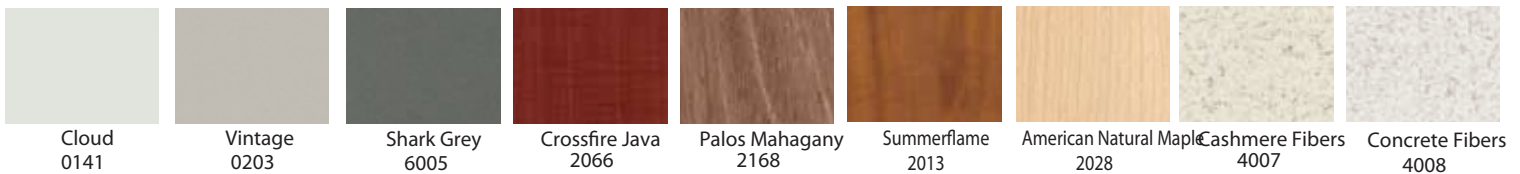
CARB 93120
Compliant

Thermofoil



Alternative Worksurface Colors - Thermofoil with Reversed Teardrop Edge (4 week lead time)

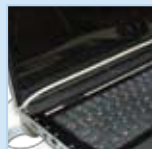
Worksurface spec = 1" 3D Laminate - Rigid Thermofoil Construction.



Key Features:



Laptop Lock w/Key Security, HIPPA & Screen Support



Adjustable Laptop Security



Cable Management Grommet



Detail of Reverse Teardrop Edge



Height Adjustment Hand Lever



100mm Highly Mobile Casters 2 Locking/2 Non-Locking

For more information see our Non-Powered Spec Guide.



St. Louis, MO
1-888-345-8511

Memphis, TN
1-800-755-0651

Chicago, IL
1-888-345-8511

www.elliottdata.com



ACOW57P1007