

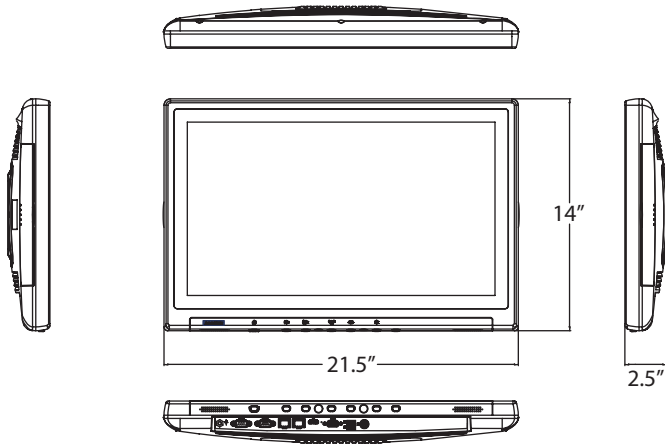


Clean

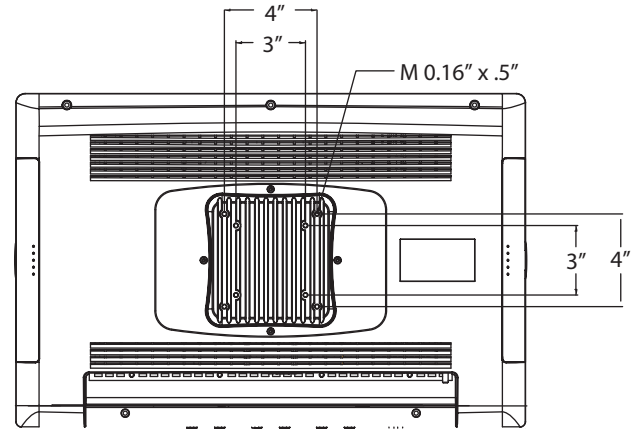
21.5" All-In-One for Demanding Medical Environments

This all-in-one computing system is designed and built to support the highest levels of safety and reliability. It's fanless, high performance profile and water resistant enclosure with IP65 dust-tight front panel makes cleaning easy and perfect for surgery or patient rooms where infection control is paramount. With a wide screen and ultra-thin display, this all-in-one computer provides an effective workstation without taking up a good deal of space.

Dimensions



Mounting



Standard Features

- > Completely Fan Less and Sealed to IP65 Specs
- > Buttons on Bezel Make Adjustment Easy
- > No Bezel Design Makes Cleaning Easy
- > Integrated Touch Standard
- > Multiple CPU Options
- > 5 Year Life Cycle

Clean All-In-One Specifications

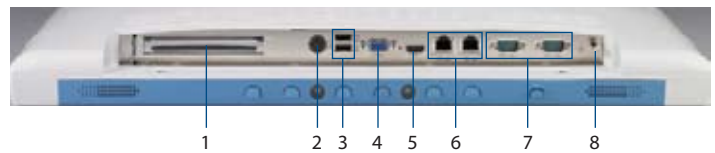
Computing System	
Chipset:	Intel QM67//AMD eONTARIO + A55E
CPU:	Intel Core i7-2655LE Processor (4 M Cache, 2.2 GHz) Intel Core i3-2340UE Processor (3 M Cache, 1.3 GHz) AMD Dual Core T56N 1.65 GHz (Dual Core 18W TDP)
Memory:	Intel Version: Up to 16 GB DDR3 1333 MHz SDRAM AMD Version: Up to 8 GB DDR3 1333 MHz SDRAM
Graphics Controller:	Intel Version: Integrated Intel HD Graphics AMD Version: ATI Radeon RV7x0, support DX11, UVD3
Operating System:	XPP, Win 7
Display	
Display Size:	21.5" wide TFT color LCD (16:9)
Max. Resolution:	1920 x 1080 (H x V)
Max. Colors:	16.7 M colors (RGB 8 bits)
Pixel Pitch (um):	248.25 x 248.25
Viewing Angle:	178/178°
Luminance:	250 cd/m2
Backlight:	LED
LCD MTBF:	30,000 Hours
Contrast Ratio:	5000 : 1
Expansion Slot	
Mini PCIe:	1 x Mini PCIe slot
PCIe /PCI:	Optional 1 x PCIe (x1) slot
Mini PCIe:	1 x Mini PCIe slot
PCIe /PCI:	Optional 1 x PCIe (x1) slot
I/O Ports	
Serial Ports:	1 x RS-232 (isolated) and 1 x RS-232/422/485 (isolated) serial port
USB 2.0 Ports:	4
VGA/DVI Port:	1 x VGA port
Speakers (1W):	2
LAN:	2 x Gigabit Ethernet (isolated) interfaces (RJ-45)
HDMI:	1 x HDMI out
Serial Ports:	1 x RS-232/422/485 (isolated) serial port
USB 2.0 Ports:	6
VGA/DVI Port:	1 x DVI-I port
Speakers (1W):	2
LAN:	2 x Gigabit Ethernet (isolated) interfaces (RJ-45)
Storage	
HDD:	1 x 2.5" SATA
Power Supply	
DC Model:	AC/DC adapter (Sinpro Model no.HPU101-107)
Input Voltage:	90 ~ 260 VAC, 1.35 ~ 0.5 A, 47 ~ 63 Hz
Output Voltage:	+18 VDC, 5.55 A max. (100 watts)
Optional Functions	
Battery:	3S2P 4200mAh, supports 0.5 hr backup operation Can be equipped with either battery or PCI card
Smart Card Reader:	Complies with ISO7816-1,2,3,T=1 and T=0 protocol
WLAN:	Integrated Wireless 802.11 a/b/g/n connection & internal antenna
RFID:	13.56 MHz with ISO-15693 & ISO-14443A/B and active tag function
Bluetooth:	Integrated Bluetooth v2.0 + EDR
Optical Devices:	DVD-RW SATA , Blu-ray RW option

Clean All-In-One Specifications

Optional Touchscreen	
Type:	Full-flat analog resistive
Resolution:	Continuous
Light Transmission:	80%±3
Controller:	USB Interface
Durability:	35 million touches
IP Rating	
Front Panel:	IP65
Entire System:	IPX1
Certifications	
UL60601-1/EN60601-1, CE & FCC Class B certified, CCC	
Environment	
Temperature:	32 ~ 104° F (Operating)
Humidity:	10 ~ 95% @ 104° F (Non-condensing)
Shock Resistance:	20 G peak acceleration (11 ms duration)
Physical Characteristics	
Dimensions:	21.65" w x 14.17" d x 2.56" h
Weight:	15.2 lb

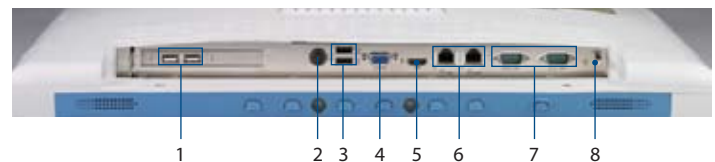
Rear I/O Ports

POC-W211-A01D-ATE & POC-W211-B01D-ATE Version



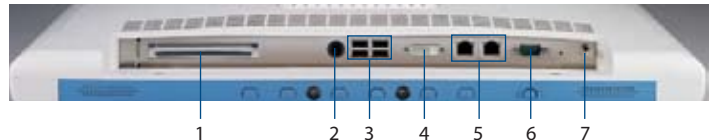
- (1) PCIe card slot
- (2) Power DC-IN
- (3) 2 x USB 2.0 ports
- (4) VGA port
- (5) HDMI out port
- (6) 2 x Gigabit Ethernet interfaces (RJ-45)
- (7) 1 x RS-232 (isolated) and 1 x RS-232/422/485 (isolated) serial port
- (8) Equipotential Terminal Pin

POC-W211-A11D-ATE & POC-W211-B11D-ATE Versions



- (1) 2 x USB 2.0 ports
- (2) Power DC-IN
- (3) 2 x USB 2.0 ports
- (4) VGA port
- (5) HDMI port
- (6) 2 x Gigabit Ethernet interface (RJ-45)
- (7) 1 x RS-232 (isolated) and 1 x RS-232/422/485 (isolated) serial port
- (8) Equipotential Terminal Pin

POC-W211-C01D-ATE Version



- (1) PCI card slot
- (2) Power DC-IN
- (3) 4 x USB 2.0 ports
- (4) DVI-I port
- (5) 2 x Gigabit Ethernet interfaces (RJ-45)
- (6) 1 x RS-232/422/485 (isolated) serial port
- (7) Equipotential Terminal Pin

Medical Grade Computers

Left Side I/O

Right Side I/O

*Only POC-W211-A01D-ATE, POC-W211-B01D-ATE and POC-W211-C01D-ATE have these functions



DVD+/-RW
(Optional)



2 x USB 2.0 ports

Smart Card Reader
(Optional)

Function Keys



- (1) Power
- (2) Volume Up/Down
- (3) Touchscreen Status Control
- (4) Read Light Control
- (5) Brightness Increase/Decrease

Optional Modules

Part Number	Description
POC-W211-BTTAE	Battery module (4200mAh Li-ion battery) for POC-W211 AMD series
POC-W211-BTTE	Battery module (4200mAh Li-ion battery) for POC-W211 Intel Core i series
POC-W211-RFOE	RFID module for POC-W211
POC-W211-BTOE	Bluetooth module for POC-W211
POC-W211-WFOE	Wireless module (802.11a/b/g/n) for POC-W211
POC-W211-SCOE	Smart Card module for POC-W211
POC-W211-RWOE	DVD+/-RW module (LG SLIM 8X SATA) for POC-W211

Accessories

Part Number	Description
1702002600	Power Cable (USA) 1.8M
1702002605	Power Cable (Europe) 1.8M



COMPLETE CARE
by Elliott Data Systems



Contact Elliott for
more information
1-888-345-8511