



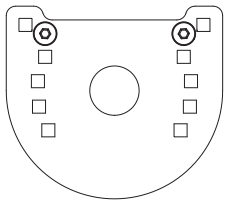
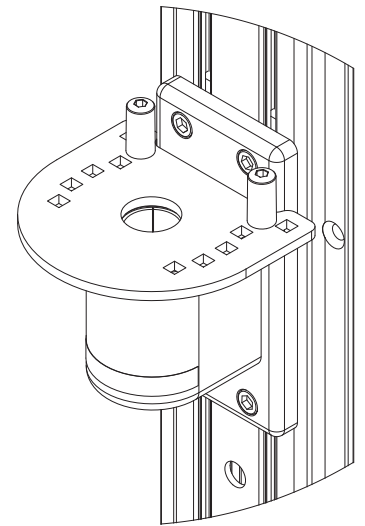
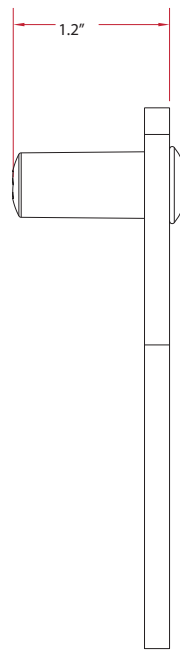
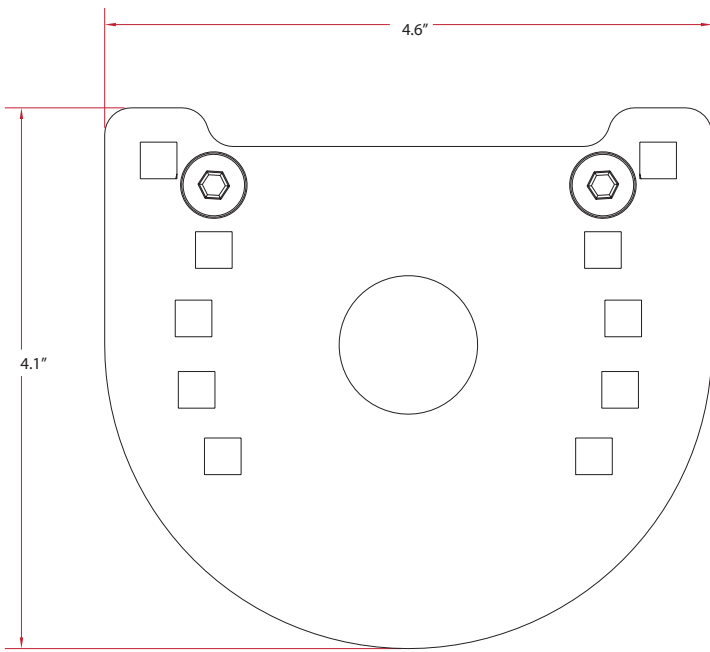
KNAPE & VOGT.



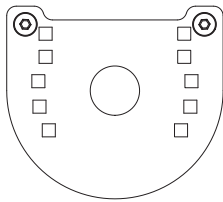
The Pivot Limiter restricts the rotation of any Fluid™ series product preventing obstruction or impact to walls, furniture and any surrounding environments.

Benefits:

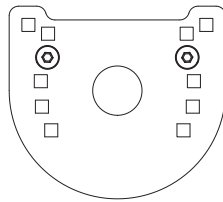
- One-step installation
- Compatible with Fluid™ HD or LT systems with or without extension arms
- Adjustable 19° incremental settings for versatility and optimal positioning



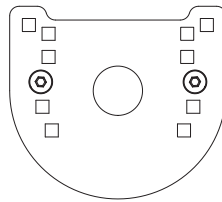
90° Stop with
Extension Arm



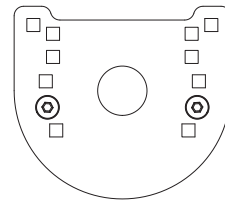
90° Stop without
Extension Arm



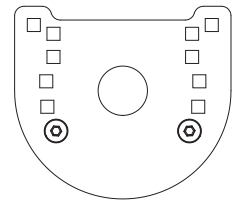
70° Stop of
Rotation



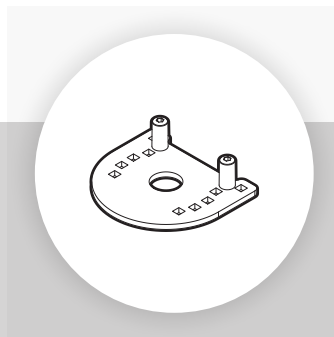
50° Stop of
Rotation



30° Stop of
Rotation



0° Stop of Rotation (arm will be
locked perpendicular to wall)



OPANumber 2937.10

Fluid Pivot Limiter

Gray

Finish:



Fluid Series

Shipping Weight	Box	Dimensions	Warranty
2 lbs		5" x 5" x 5"	5 years

Notes: 1. Weight is packaged shipping weight per unit. 2. Specifications are subject to change without notice.



Contact Elliott for more information
1-888-345-8511
healthcare.elliottdata.com