

# MightyMount

## Display & Keyboard Station

*Ergonomic Sleek Design Optimized for Point-of-Care Applications*



Rollout keyboard module doubles as an ergonomic writing surface



16" of counterbalanced vertical adjustment



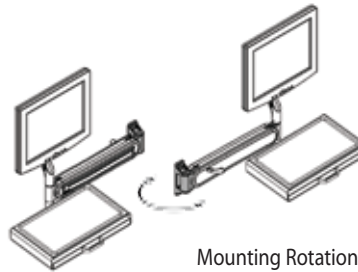
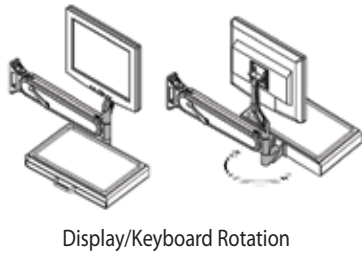
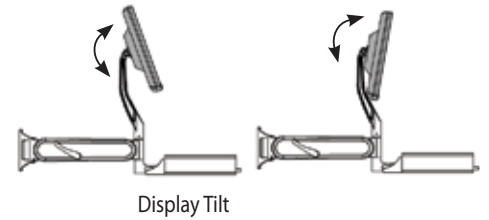
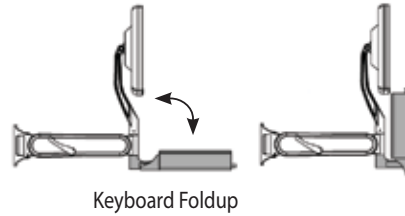
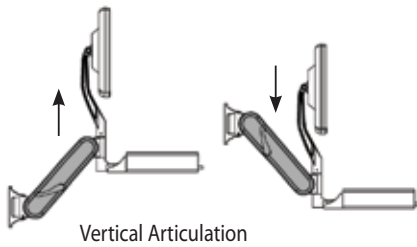
*"The perfect combination of cost and functionality."*

- ▶ Internal/External cable management
- ▶ Compact design (folds 7" from wall)
- ▶ Fully assembled to save you time and money
- ▶ Robust aluminum construction
- ▶ Secure lock-in-place feature for height adjustment
- ▶ Integrated work surface with keyboard drawer
- ▶ Anti-microbial powder coat finish
- ▶ Customer specified track lengths available

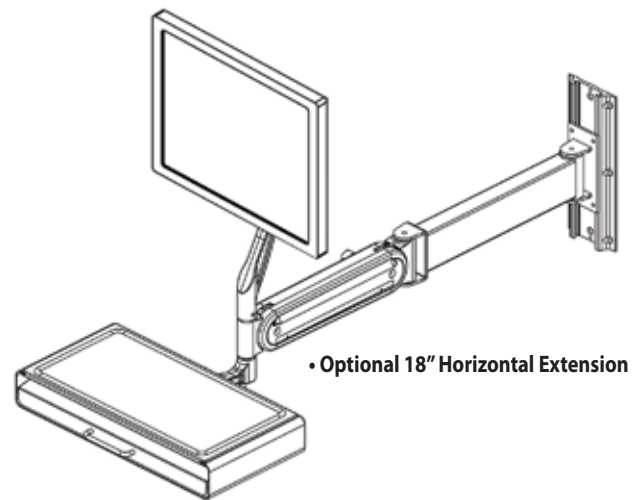
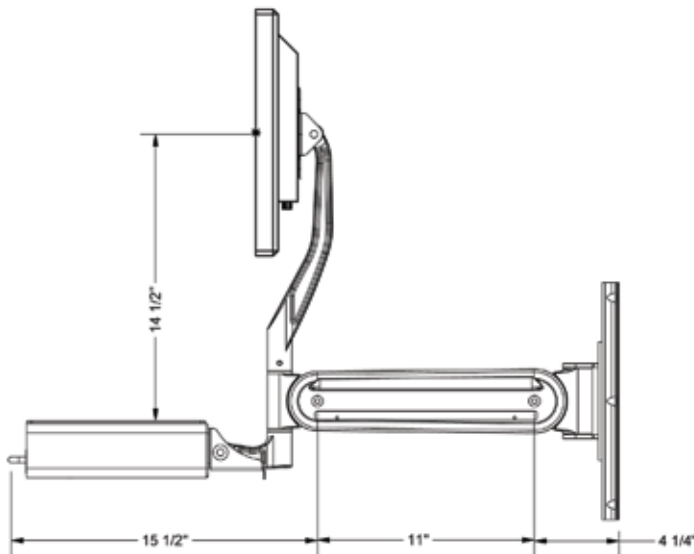
**ELLIOTT**  
DATA SYSTEMS, INC. **STRONGARM®**

healthcare.elliottdata.com

## Articulation



## Dimensions



## Specifications

- ▶ 16" of counterbalanced vertical travel
- ▶ Display tilt forward/backward
- ▶ 180 degree swivel at wall and display end
- ▶ Folds 7" inches from wall
- ▶ Aluminum Alloy construction
- ▶ 17.5" x 9" Work Surface
- ▶ 7" x 7" Left/Right Mouse tray
- ▶ 75mm/100mm VESA Pattern
- ▶ Up to 48" reach from wall
- ▶ Lifetime product warranty



Contact Elliott Data Systems, Inc. for more information.  
St. Louis/Chicago      Memphis  
**1-888-345-8511**      **1-800-755-0651**  
healthcare.elliottdata.com