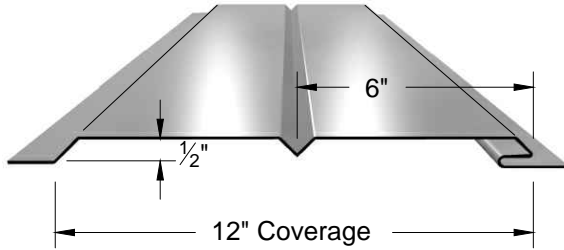
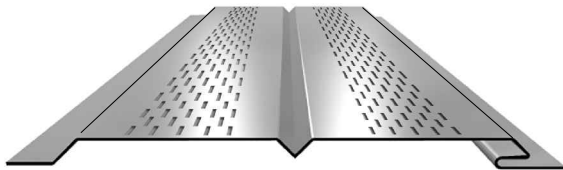


# 150-12 Siding, Fascia and Soffit Panel

## 150-12 Flat Seam Panel



## 150-12 Lanced Panel



Two lanced strips allow 4% open air per square foot.  
 Lanced panel not available in 22 ga or stainless steel.

### Applications

Concealed fastener panels for soffit, vertical walls and fascias.  
 Brake formed profile with continuous lengths up to 12 feet.  
 Lanced or perforated strips are available for ventilation requirements.

### Substrates

Solid or plywood                      Wood or metal framing system

### Materials

Aluminum (3000 series alloy)	<b>Standard Gauges</b>
Galvanized coated steel (G-90)	.032" .040"
Alum-Zinc coated steel (AZ-50 & AZ-55)	24 ga. 22 ga.
Also available in Zinc, Pre-Weathered Zinc	24 ga. 22 ga.
Copper, Lead Coated Copper & Stainless Steel	

### Finishes

Kynar & Metallic Fluoropolymer Coatings  
 Mill Finish, Brushed, Anodized  
 Texture: Smooth or Stucco Embossed

### Manufacturing

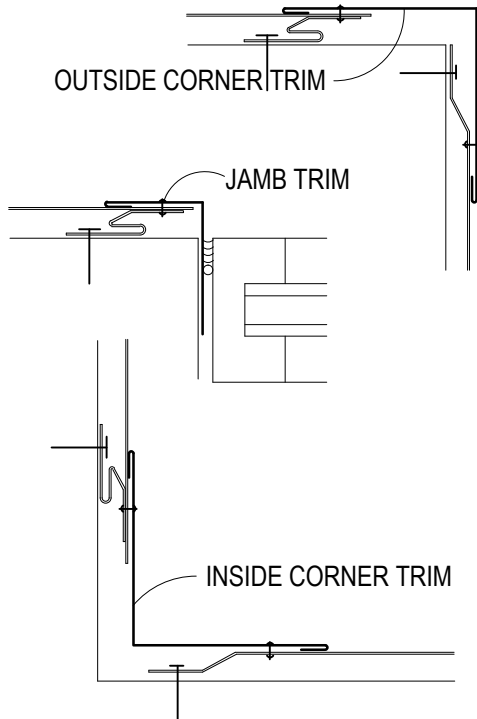
Factory Formed

Some panels configurations are not suitable for all applications.  
 Contact sales & engineering for more information.

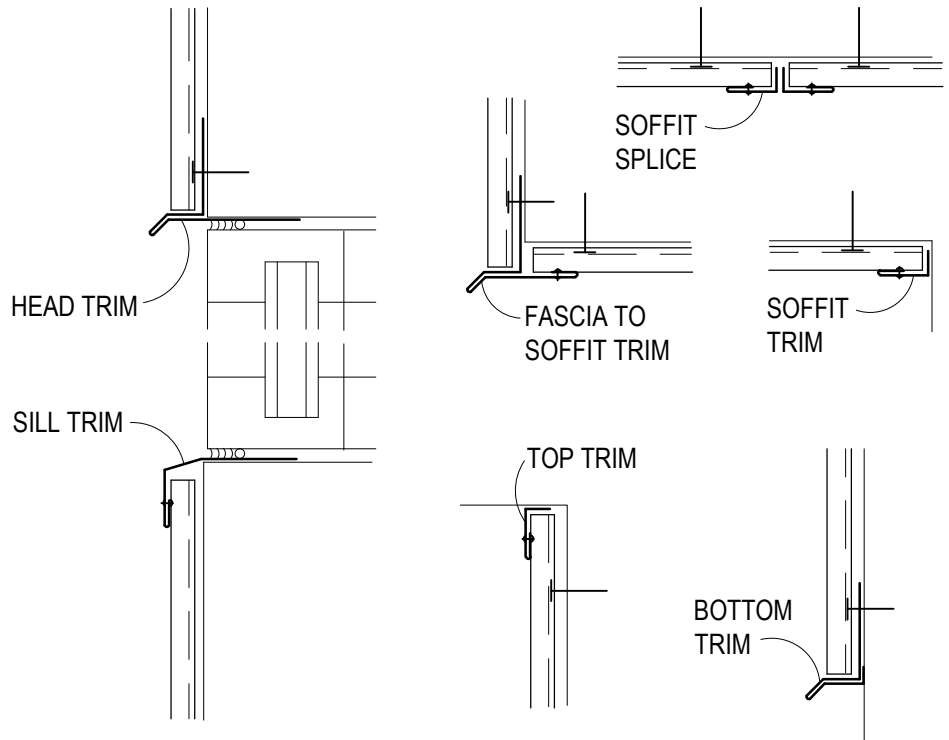


**Panel Joint**

## Typical Applications (Plan Details)



## Typical Applications (Section Details)



Updated December 2011

