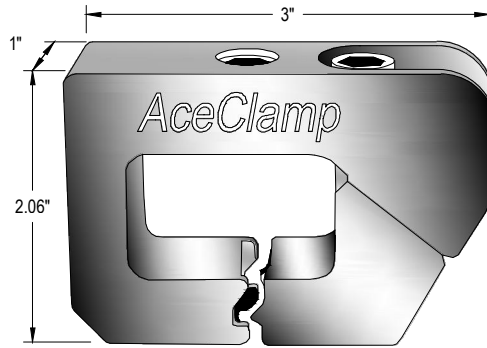


ZIP-RIB®

AceClamp Metal Roofing Attachment

AceClamp® ML

Mechanical Lock Panels
 ZIP-RIB (all variations)
 2" ZIP-LOK Single Lock
 2" ZIP-LOK Double Lock



Applications

Mechanical attachment interface for metal roofing accessories without piercing the panel.

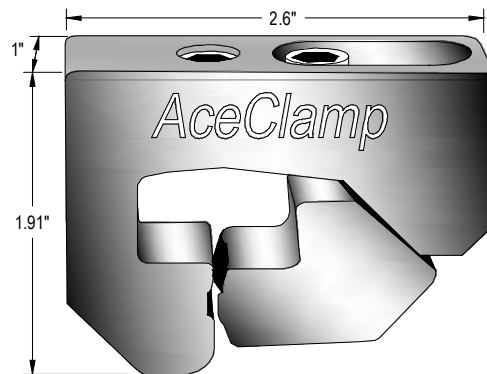
- | | | |
|----------------|----------------------|--------------|
| Solar Panels | Lightning Protection | Pipe Conduit |
| Satellite Dish | HVAC Equipment | WindClamps |
| Roof Walkways | Signs & Banners | Decorations |

Materials & Packaging

Aluminum 6061-T6 Block, 20 per box.
 Stainless Steel Hardware with drive bit.
 3/8" Threaded mounting hole on top.

AceClamp® SL

Snaplock Panels
 305 Classic Rib
 306 Traditional Rib
 1 1/2" ZIP-LOK Single Lock
 1 1/2" ZIP-LOK Double Lock

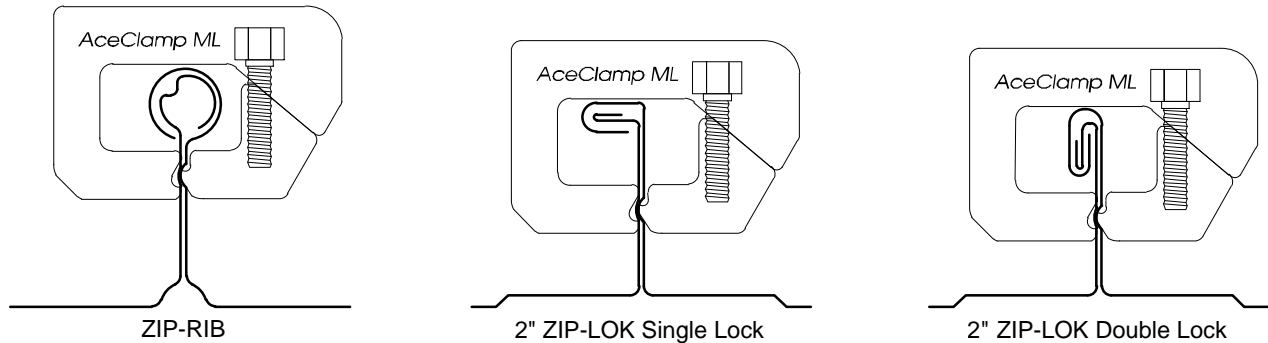


Advantages & Limitations

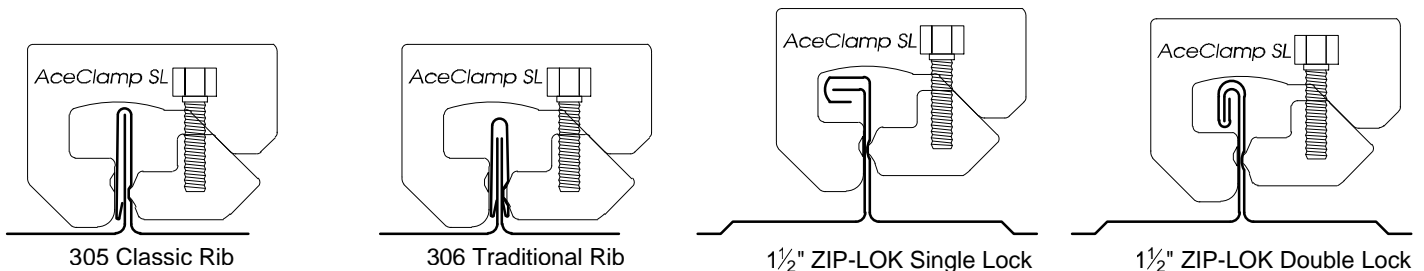
AceClamps do not pierce the panel rib or snapcap. Packaged assembled and ready to install. For temporary or permanent installations. AceClamps will not loosen from vibration.

AceClamp is not designed for use on batten seam or nail flange panels and is not to be used as any part of a fall protection system. For all applications, determining the suitability of the product and the installation orientation relative to the seam are the responsibility of the professional design engineer. Contact Merchant & Evans, Inc. for installation instructions.

AceClamp® ML Assembly

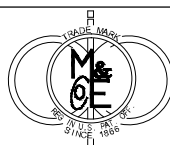


AceClamp® SL Assembly



Updated May 2013

Merchant & Evans, Inc.
 308 Connecticut Drive
 Burlington, NJ 08016



Phone: 800-257-6215
 Phone: 609-387-3033
 Fax: 609-387-4838
 www.ziprib.com