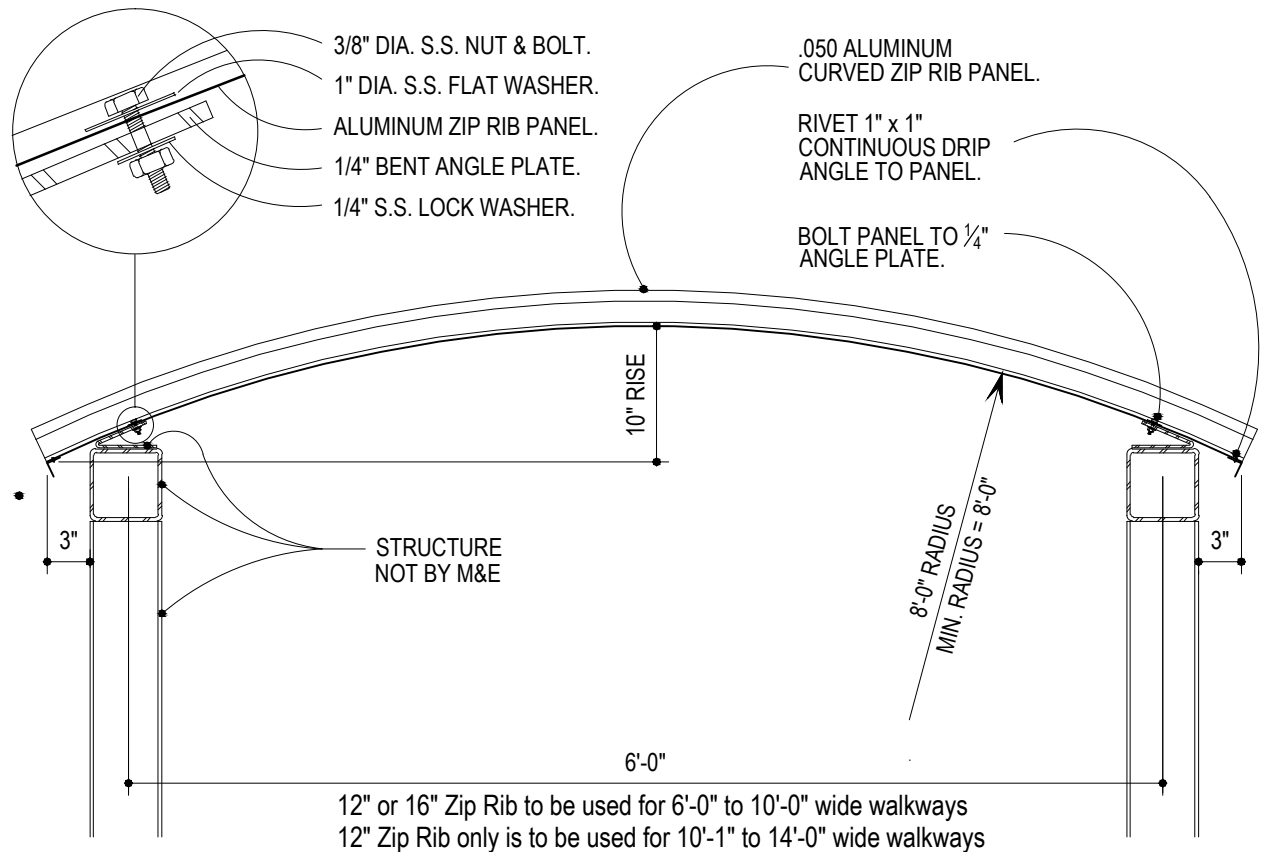
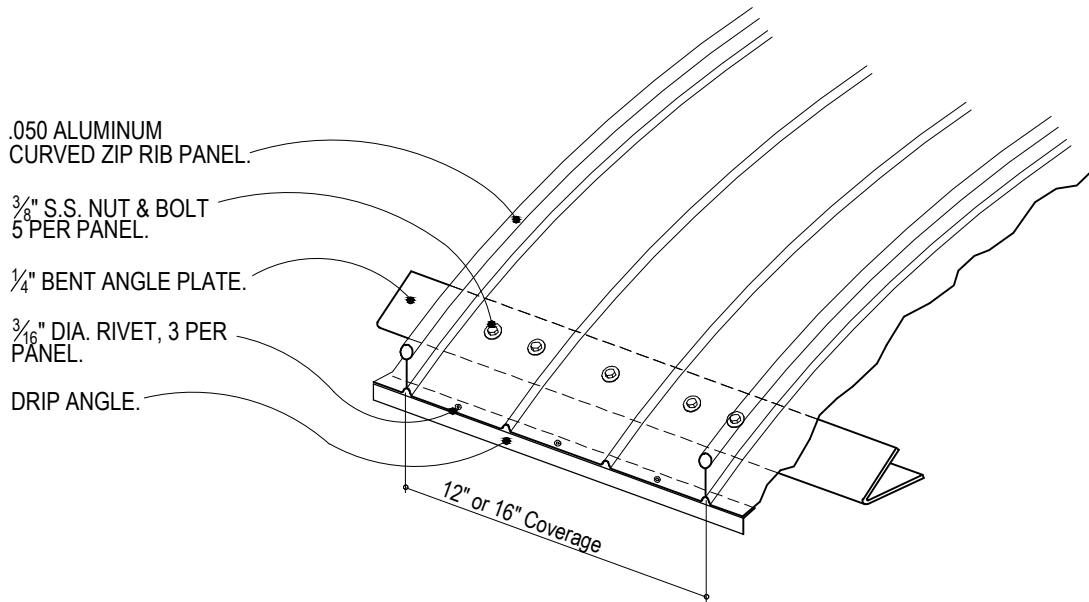


FREE SPANNING CANOPY

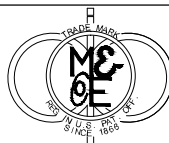


NOTE: For spans over 6'-0": The rise to span ratio is 0.25 min. (Example: 10'-0" span = 2'-6" min. rise)

Updated December 2011

Detail shown is standard and must be designed specific to a project.

Merchant & Evans, Inc.
308 Connecticut Drive
Burlington, NJ 08016



Phone: 800-257-6215
Phone: 609-387-3033
Fax: 609-387-4838
www.ziprib.com