

# PCC Buckets Catalog

Last Revised: 9/2018

**Please scroll down to find our Replacement Buckets Catalog. We have been building buckets by hand for over 60 years and can custom make almost any variation. If you do not see your exact bucket, please call or email and we can build what you need!**

**Disclaimer:** Plastic Composites Co (PCC) manufactures aftermarket replacement fiberglass parts, buckets, and guards for the Aerial Manlift (Bucket Truck) Industry. All brands listed below are trademarks of their respective owners and are only used for reference purposes. Our products are engineered and manufactured to meet or exceed all applicable OSHA and/or ANSI standards.

**Plastic Composites Co is not sponsored by or affiliated with any of the companies listed below. These manufacturers do not manufacture, sell, or distribute the goods advertised herein, and PCC makes no claim that the replacement fiberglass buckets manufactured for these companies' vehicles comply with the OEM's manufacturing standards.**

- Altec, Aerial Lift of CT, Holan, Lift-All, MTI, Pitman, Reach All, TECO, and Telsta Electric Lift are registered trademarks of Altec, Inc.
- Asplundh is a registered trademark of Asplundh Tree Expert Company
- Dur-A-Lift is a registered trademark of Diversified Technologies Inc.
- ETI and Hidro-Grubert are registered trademarks of Palfinger
- National Crane is a registered trademark of The Manitowoc Company
- Posi-Plus is a registered trademark of Posi-Plus
- Terex, Hi-Ranger, Telelect, Texoma are registered trademarks of Terex Corporation
- Versalift is a registered trademark of Time Manufacturing Company



# REPLACEMENT FIBERGLASS BUCKETS

All parts are PCC manufactured replacements for specified brands.

## PCC Replacement Buckets that fit Aerial Lift of CT

**24" x 24" x 39"**

**PCC Part #**      *Mount style - Controls - Step - Misc*

**1101A410**      Clamp Mount - Step Left - Angle Clips Left

**1101C410**      Clamp Mount - Step Right - Angle Clips Left



1101C410



1101C410



1101C410

## PCC Replacement Buckets that fit Altec *(continued on next page)*

**24" x 24" x 39"**

**PCC Part #**      *Mount style - Controls - Step - Misc*

**1151A234**      Fiberglass Rib 10-1/2" Between - Step Left - Controls Right

**1151C233**      Fiberglass Rib 10-1/2" Between - Step Right - Controls Left

**1151S876**      Thick Mount Wall - Walk-thru Left With Door - No Controls

**24" x 24" x 40"**

**PCC Part #**      *Mount style - Controls - Step - Misc*

**11152C216V**      Fiberglass Rib 18" Inside - Step Right - No Controls

**1152A220**      Fiberglass Rib 17" Outside - Step Left

**1152C220**      Fiberglass Rib 17" Outside - Step Right

**1152C226**      Fiberglass Rib 18" Inside - Step Right - No Controls



1151C233



1151C233



1152C220



1152X21X

**Call for additional bucket configurations.**

# CALL TO ORDER 260-484-3139



# REPLACEMENT FIBERGLASS BUCKETS

All parts are PCC manufactured replacements for specified brands.

## PCC Replacement Buckets that fit Altec (continued)

24" x 24" x 42"	PCC Part #	Mount style - Controls - Step - Misc
	1153E246	Fiberglass Rib 8 5/8" Between - Lip 1-1/2" Wide Between Ribs Step Front - No Controls
	1153S876	Thick Mount Wall - 6-1/2" Holes 10" Horiz & 7" Vert Between Sets of Holes - Walk-thru Left - No Controls
24" x 30" x 42"	PCC Part #	Mount style - Controls - Step - Misc
	1156A210	Fiberglass Rib 18" Between - Step Left - Controls Front Duct Under Step
	1156A211	Fiberglass Rib 18" Between - Step Left - Controls Right 2"x 6"
	1156A216	Fiberglass Rib 18" Between - Step Left - No Controls
	1156A21C	Fiberglass Rib 18" Between - Step Left - Controls Between Ribs 2"x 6"
	1156B211	Fiberglass Rib 18" Between - 2 Steps Left - Controls Right 2"x 6"
	1156B21M	Fiberglass Rib 18" Between - 2 Steps Left - Controls Right 3-1/2"x10"
	1156B681	8 Stud Mount - Angle Clips Outside of Mount Studs - 2 Steps Left - Controls Right 2" x 6"
	1156BB19	Fiberglass Rib 18" Between - 2 Steps Left - Controls Right AL-1 3-1/2" x 10"
24" x 48" x 42"	PCC Part #	Mount style - Controls - Step - Misc
	1158A211	Fiberglass Rib 18" Between - Step Left - Controls Right 2"x 6"
	1158A216	Fiberglass Rib 18" Between - Step Left - No Controls
	1158A21C	Fiberglass Rib 18" Between - Step Left - Controls Between Ribs 2"x 6"
	1158A21N	Fiberglass Rib 18" Between - Step Left - Controls Right 3-1/2" x 10"
	1158A346	Steel Rib 8 3/4" Between - Step Left - No Controls
	1158B211	Fiberglass Rib 18" Between - 2 Steps Left - Controls Right 2" x 6"
	1158B212	Fiberglass Rib 18" Between - 2 Steps Left - Controls Between Ribs 2"x 6"
	1158B216	Fiberglass Rib - 18" Between - 2 Steps Left - No Controls
	1158B681	8 Stud Mount - 2 Steps Left - Controls Right 2" x 6"
	1158J211	Fiberglass Rib 18" Between - Step Left - Controls Between Ribs 2"x 6"
	1158J216	Fiberglass Rib 18" Between - Step Left - No Controls



1156A210



1156B681



1158A21C

Call for additional bucket configurations.

## CALL TO ORDER 260-484-3139

*All parts are PCC manufactured replacements for specified brands.*

## PCC Replacement Buckets that fit Altec D-Bucket

<i>PCC Part #</i>	<i>Mount style - Controls - Step - Misc</i>
<b>1159G2LX</b>	Fiberglass Rib - 2 Steps Mount Side Left of Ribs - Angle Clips 21" Right



1159G2LS

## PCC Replacement Buckets that fit Dur-A-Lift

<b>24" x 24" x 42"</b>	<i>PCC Part #</i>	<i>Mount style - Controls - Step - Misc</i>
	<b>1253A210</b>	Fiberglass Rib 9" Between - Step Left - No Controls
	<b>1253C210</b>	Fiberglass Rib 9" Between - Step Right - No Controls
	<b>1253E210</b>	Fiberglass Rib - 9" Between - Step Front
	<b>1253J210</b>	Fiberglass Rib 9" Between - Step Left - No Controls
	<b>1253L210</b>	Fiberglass Rib 9" Between - I/O Step Right - No Controls
	<b>1253P210</b>	Fiberglass Rib 9" Between - Crawl-thru Left - ETI Controls Right
	<b>1253P21X</b>	Fiberglass Rib 9" Between - Crawl-thru Left - No Controls
	<b>1253S211</b>	Fiberglass Rib - 9" Between - Walk-thru Left - Door Hinge Left
	<b>1253X211</b>	Fiberglass Rib 9" Between - Walk-thru Front - Door Hinge Left

<b>24" x 30" x 42"</b>	<i>PCC Part #</i>	<i>Mount style - Controls - Step - Misc</i>
	<b>1256J210</b>	Fiberglass Rib 9" Between - Step Left
	<b>1256P21X</b>	Fiberglass Rib 9" Between - Crawl-thru Left - No Controls
	<b>1256S211</b>	Fiberglass Rib - 9" Between - Walk-thru Left - with Door



1253A210

***Call for additional bucket configurations.***

## CALL TO ORDER 260-484-3139



# REPLACEMENT FIBERGLASS BUCKETS

All parts are PCC manufactured replacements for specified brands.

## PCC Replacement Buckets that fit ETI

24" x 30" x 42"	PCC Part #	Mount style - Controls - Step - Misc
	<b>1316J214</b>	Fiberglass Rib 9" Between - Step Left - Controls Right
	<b>1316S321</b>	Steel Rib 9 1/4" Between - Walk-thru Left with Door - Controls Right

## PCC Replacement Buckets that fit Hidro-Grubert

24" x 24" x 42"	PCC Part #	Mount style - Controls - Step - Misc
	<b>1333A212</b>	Fiberglass Rib 8" Between - Step Left - Angle Clips Both Sides
	<b>1333B213</b>	Fiberglass Rib 8" Between - 2 Step Left - Angle Clips Right
	<b>1333P213</b>	Fiberglass Rib 8" Between - Crawl-thru Left - Angle Clips Right

## PCC Replacement Buckets that fit Hi-Ranger *(continued on next page)*

24" x 24" x 39"	PCC Part #	Mount style - Controls - Step - Misc
	<b>1351A6N3</b>	4 Stud Mount 18-1/2" Vert x 18" Horz - Step Left Terex P/N 453628
	<b>1351C6N3</b>	4 Stud Mount 18-1/2" Vert x 18" Horz - Step Right
	<b>1351C6T1</b>	4 Stud Mount 14-1/2"H x 13-3/4"V - Step Right - Controls Left 4 Stud 16"H x 113/4V

24" x 24" x 40"	PCC Part #	Mount style - Controls - Step - Misc
	<b>1352C6N3</b>	4 Stud Mount 18-1/2" Vert x 18" Horz (TEL-8) - Step Right

24" x 24" x 42"	PCC Part #	Mount style - Controls - Step - Misc
	<b>1353A112</b>	5F - Step Left - Controls Right
	<b>1353A121</b>	5H - Step Left - Controls Right
	<b>1353A152</b>	4E - Step Left - Controls Right



1351C6N3

Call for additional bucket configurations.

# CALL TO ORDER 260-484-3139

All parts are PCC manufactured replacements for specified brands.

## PCC Replacement Buckets that fit Hi-Ranger *(continued)*

### 24" x 30" x 42"

*PCC Part # Mount style - Controls - Step - Misc*

<b>1356A1P4</b>	6H Rotator Mount - Step Left - Controls Front
<b>1356B112</b>	5F - 2 Steps Left - Controls Right
<b>1356B121</b>	5/6 H - Steps Left - Controls Right
<b>1356B182</b>	4E - Steps Left - Controls Right
<b>1356D111</b>	5F - 2 Steps Right - Controls Left

### 24" x 48" x 42"

*PCC Part # Mount style - Controls - Step - Misc*

<b>1358B112</b>	5F - Steps Left - Controls Right
<b>1358B122</b>	5/6 G/H - Steps Left - Controls Right
<b>1358B693</b>	5TC - 4 Stud Mount 18" Horiz x 18-1/2" Vert - 2 Steps Left - No Controls
<b>1358B1C2</b>	6H 70/75 W/Hydraulic Leveling Steps Left Controls Right
<b>1350F1G6</b>	6TD - Step Left of Mount Side - Controls Right



1356A1P4



1358B112



1358B122



1358B1C2



1350F1G6

*Call for additional bucket configurations.*

## CALL TO ORDER 260-484-3139



# REPLACEMENT FIBERGLASS BUCKETS

All parts are PCC manufactured replacements for specified brands.

## PCC Replacement Buckets that fit Holan & MTI

<b>24" x 24" x 42"</b>	<b>PCC Part #</b>	<b>Mount style - Controls - Step - Misc</b>
	<b>1401J221</b>	Fiberglass Rib 16" Between - Step Left - No Controls
	<b>1403J221</b>	Steel Rib 16" Between - Step Left - No Controls
<b>24" x 30" x 42"</b>	<b>PCC Part #</b>	<b>Mount style - Controls - Step - Misc</b>
	<b>1466J213</b>	Fiberglass Rib 8" between I/O Step Left Controls Right - U4



1466J213

## PCC Replacement Buckets that fit Lift-All *(continued on next page)*

<b>24" x 24" x 39"</b>	<b>PCC Part #</b>	<b>Mount style - Controls - Step - Misc</b>
	<b>14515265</b>	LA-1 Mount - Step Right - No Controls
<b>24" x 24" x 42"</b>	<b>PCC Part #</b>	<b>Mount style - Controls - Step - Misc</b>
	<b>14530081</b>	4 Stud Mount with Control Mount LA-20 - Step Right
	<b>1453C613</b>	4 Stud Mount LA-1 - Step Right - Controls Front LA-3
<b>24" x 30" x 39"</b>	<b>PCC Part #</b>	<b>Mount style - Controls - Step - Misc</b>
	<b>14540064</b>	LA-17 Mount - Step Left - Controls Left of Mount on Mount Side LA-3

**Call for additional bucket configurations.**

# CALL TO ORDER 260-484-3139



# REPLACEMENT FIBERGLASS BUCKETS

All parts are PCC manufactured replacements for specified brands.

## PCC Replacement Buckets that fit Lift-All

**24" x 30" x 42"**

<i>PCC Part #</i>	<i>Mount style - Controls - Step - Misc</i>
<b>14560985</b>	4 Stud Mount LA-17 - Step Left - Controls Left of Mounting Studs LA-3
<b>1456A381</b>	Steel Rib 13" Between LA-15 - Step Left - Controls Right LA-3
<b>1456A610</b>	4 Stud Mount LA-1 - Step Left - No Controls
<b>1456J388</b>	Steel Rib 13" Between LA-15 - Step Left - Controls Right LA-3 (Offset to front)

**24" x 48" x 42"**

<i>PCC Part #</i>	<i>Mount style - Controls - Step - Misc</i>
<b>14580074</b>	Rib Mount LA-15 - Steps Left - Controls Right LA-18 - B17 3N 10050074
<b>14580078</b>	6 Stud Mount Offset Right LA-12 - Step Left - Controls Mount Side Centered LA-18
<b>14582909</b>	6 Stud Mount Offset Right LA-12 - Step Left - Control Mount Side LA-3 Controls Mount Side Centered
<b>14582909</b>	6 Stud Mount Offset Right LA-12 - Step Left - Control Mount Side LA-3 Controls Mount Side Centered
<b>14584334</b>	Steel Rib 13" Between Step Left - Controls Right LA-3
<b>1458A320</b>	Steel Rib 13" Between LA-15 - Step Left - Controls Right LA-3
<b>1458A380</b>	Steel Rib 13" Between LOM-502MS LA-15 - Step Left - No Controls
<b>1458A675</b>	6 Stud Mounting LA-12 - Step Left - Controls Mount Side LA-3
<b>1458L695</b>	4 Stud Mount LA-17 - Step Right - Controls Right of Mounting Studs LA-3



14560985



1456A610



1458A320

## PCC Replacement Buckets that fit Mat-3

**24" x 30" x 42"**

<i>PCC Part #</i>	<i>Mount style - Controls - Step - Misc</i>
<b>14862112</b>	4 Tab Insert - 2 Step Left - Controls Right - No Sheave Guard Brackets

## PCC Replacement Buckets that fit National Crane

**24" x 24" x 42"**

<i>PCC Part #</i>	<i>Mount style - Controls - Step - Misc</i>
<b>1493X700</b>	Thru Bolt Mounting Modified - Walk-thru Front

**Call for additional bucket configurations.**

**CALL TO ORDER 260-484-3139**





# REPLACEMENT FIBERGLASS BUCKETS

All parts are PCC manufactured replacements for specified brands.

## PCC Replacement Buckets that fit Pitman

24" x 24" x 42"	PCC Part #	Mount style - Controls - Step - Misc
	<b>1503A201</b>	Fiberglass Rib 9" Between - Step Left - No Controls
	<b>1503C201</b>	Fiberglass Rib 9" Between - Step Right - No Controls

## PCC Replacement Buckets that fit Posi Plus

24" x 30" x 39"	PCC Part #	Mount style - Controls - Step - Misc
	<b>1534A211</b>	Fiberglass Rib 20 1/4" Between - Step Left - No Controls

## PCC Replacement Buckets that fit Reach All

24" x 48" x 42"	PCC Part #	Mount style - Controls - Step - Misc
	<b>1558G305</b>	Steel Rib Low Mount RA-5 2 Hole - 2 Steps Mount Side - No Controls
	<b>1558G315</b>	Steel Rib RA-5- 2 Steps Mount Side - No Controls
	<b>1558G337</b>	High Mount RA-7 - 2 Steps Mount Side - No Controls
	<b>1558G368</b>	Steel Rib Low Mount RA-8 2 Hole - 2 Steps Mount Side - RA-3 Controls Left

## PCC Replacement Buckets that fit Skyworker

24" x 24" x 39"	PCC Part #	Mount style - Controls - Step - Misc
	<b>1681C312</b>	Steel Rib SKY-2 9 1/8" Between Step Right Controls Left



1681C312

## PCC Replacement Buckets that fit TECO (continued on next page)

24" x 24" x 42"	PCC Part #	Mount style - Controls - Step - Misc
	<b>1803A111</b>	Regular Mount - Step Left - Controls Front - Duct Cover Right
	<b>1803A119</b>	Regular Mount - Step Left - Controls Front - Hose Cover Left (Above Step)
	<b>1803A122</b>	Dump Mount - Step Left - No Controls
	<b>1803C111</b>	Regular Mount - Step Right - Controls Front - Duct Cover Left
	<b>1803C114</b>	Regular Mount - Step Right - Controls Front - Open Duct Left
	<b>1803C122</b>	Dump Mount - Step Right - No Controls
	<b>1803C124</b>	Dump Mount - Step Right - Controls Front - Duct Cover Left

Call for additional bucket configurations.

# CALL TO ORDER 260-484-3139



# REPLACEMENT FIBERGLASS BUCKETS

All parts are PCC manufactured replacements for specified brands.

## PCC Replacement Buckets that fit TECO

24" x 30" x 42"	PCC Part #	Mount style - Controls - Step - Misc
	<b>1806C125</b>	Dump Mount - Step Right - Controls Left of Mout
24" x 48" x 42"	PCC Part #	Mount style - Controls - Step - Misc
	<b>1808A1P3</b>	Vanguard - TEC-20 W/ Separate Sheave Guard - Step Left - Controls Right

## PCC Replacement Buckets that fit Telelect

24" x 24" x 42"	PCC Part #	Mount style - Controls - Step - Misc
	<b>1853J664</b>	4 Stud Mount 16-3/4" H x 13-3/4" V TEL-9 - Step Left - Controls Right 16" H x 10-3/4" V TEL-12
	<b>1853J692</b>	4 Stud Mount 18" Horiz x 18-1/2" Vert TEL-8 - Step Left - No Controls
24" x 30" x 42"	PCC Part #	Mount style - Controls - Step - Misc
	<b>1856A664</b>	TL 38P - 4-5/8" Stud Mount 16-3/4" Horiz x 13-3/4" Vert - Step Left - Controls 4-3/8" Studs 16" Horiz x 10-3/4" Vert
	<b>1856A692</b>	4 Stud Mount 18" x 18-1/2" - Step Left - No Controls
	<b>1856A6M7</b>	4 Stud Mount 18" x 28 -/16" - Step Left - Controls Right TEL-16
	<b>1856B6N2</b>	4 Stud Mount 18" Horiz x 18-1/2" Vert - 2 Steps Left - Controls Right HR
	<b>1856E6R2</b>	4 Stud 14-1/2" Horiz x 14" Vert - Step Front Offset Right
	<b>1856J664</b>	4 Stud Mount TEL-9 - Step Left - Controls Right 4 Stud TEL-12
24" x 48" x 42"	PCC Part #	Mount style - Controls - Step - Misc
	<b>1858A6M3</b>	5TC 4 Stud Mount TEL-8 - Step Left - No Controls
	<b>1858B692</b>	4 Stud Mount TEL-8 18" Horiz x 18-1/2" Vert - 2 Steps Left - Controls Right HR
	<b>1858B693</b>	4 Stud Mount TEL-8 18" Horiz x 18-1/2" Vert - 2 Steps Left - No Controls



1853J692



1856B6N2



1856E6R2



1858A6M3

Call for additional bucket configurations.

# CALL TO ORDER 260-484-3139



# REPLACEMENT FIBERGLASS BUCKETS

All parts are PCC manufactured replacements for specified brands.

## PCC Replacement Buckets that fit Telsta

**24" x 24" x 42"**

**PCC Part #**      *Mount style - Controls - Step - Misc*

**1903P521**      Shaft Mount TELS-2 - Crawl-thru Left - No Controls

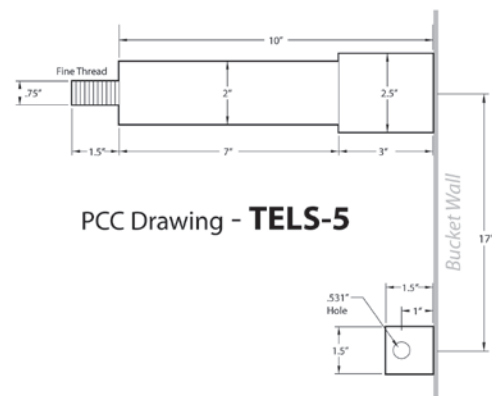
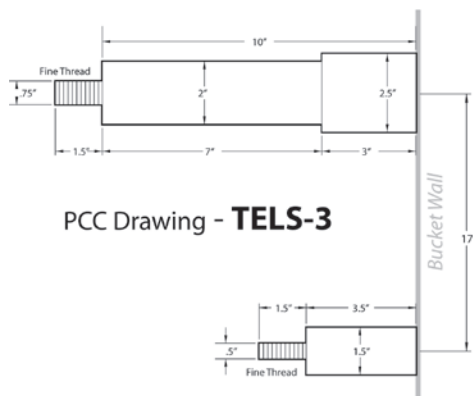
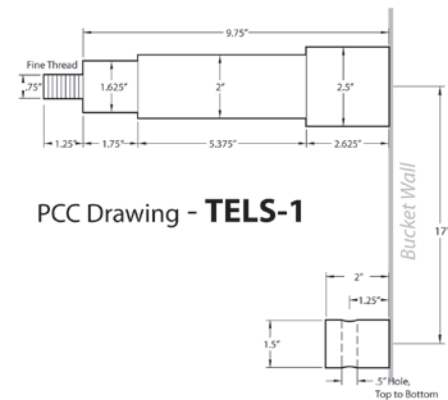
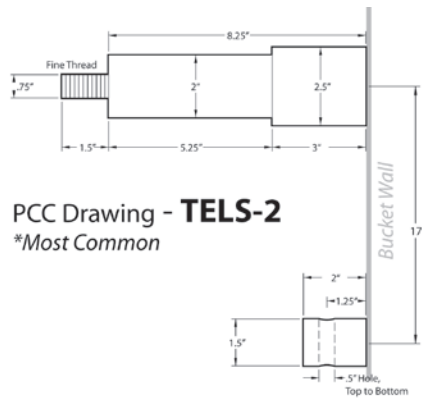
**1903S510**      Shaft Mount TELS-2 - Walk-thru Left W/ Door - No Controls.

**1903X510**      Shaft Mount TELS-2 - Walk-thru Front W/ Door - No Controls



1903P521

## Identify your Telsta Shaft Mount



*Call for additional bucket configurations.*

**CALL TO ORDER 260-484-3139**



# REPLACEMENT FIBERGLASS BUCKETS

All parts are PCC manufactured replacements for specified brands.

## PCC Replacement Buckets that fit UTEM

**24" x 24" x 42"**

<i>PCC Part #</i>	<i>Mount style - Controls - Step - Misc</i>
<b>1943J211</b>	Fiberglass Rib - 9" Between - Step Left

## PCC Replacement Buckets that fit Versalift *(continued on next page)*

**24" x 24" x 39"**

<i>PCC Part #</i>	<i>Mount style - Controls - Step - Misc</i>
<b>1951C318</b>	Steel Rib 8" Between - Step Right - Controls Left VER-8

**24" x 24" x 42"**

<i>PCC Part #</i>	<i>Mount style - Controls - Step - Misc</i>
<b>1953A215</b>	Fiberglass Rib 8" Between 2-1/2" Deep - Step Left - Controls Right VER-8
<b>1953A219</b>	Fiberglass Rib 8" Between 2-1/2" Deep - Step Left - No Controls
<b>1953A21L</b>	Fiberglass Rib 8" Between 2-1/2" Deep - Step Left - Controls Right VER-10
<b>1953C210</b>	Fiberglass Rib 8" Between - Step Right - No Controls
<b>1953C212</b>	Fiberglass Rib - Step Right - Controls Left Ver-10
<b>1953C213</b>	Fiberglass Rib 8" Between - Step Right - Controls Left (VER-8) Nuts
<b>1953C215</b>	Fiberglass Rib 8" Between - Step Right - Controls Left - Angle Clips
<b>1953C21A</b>	Fiberglass Rib 8" Between - Step Right - Controls Left VER-10
<b>1953E21L</b>	Fiberglass Rib 8" Between 2-1/2" Deep - Step Front - Controls Right VER-10
<b>1953J214</b>	Fiberglass Rib 8" Between 2-1/2" Deep - Step Left - Controls Front VER-9
<b>1953J219</b>	Fiberglass Rib 8" Between - Step Left - No Controls
<b>1953J21P</b>	Fiberglass Rib 8" between ribs, Step Left Ver-10 Control Front Hose Cover Bracket Right



1953C21A

**Call for additional bucket configurations.**

# CALL TO ORDER 260-484-3139



# REPLACEMENT FIBERGLASS BUCKETS

All parts are PCC manufactured replacements for specified brands.

## PCC Replacement Buckets that fit Versalift

<b>24" x 24" x 42"</b>	<b>PCC Part #</b>	<b>Mount style - Controls - Step - Misc</b>
	<b>1953P210</b>	Fiberglass Rib 8" Between - Crawl-thru Left - No Controls
	<b>1953P215</b>	Fiberglass Rib 8" Between - Crawl-thru Left - Angle Clips Right
	<b>1953P310</b>	Fiberglass Rib 8" Between 2-1/2" Deep - Crawl-thru Left - No Controls
	<b>1953P600</b>	L Shape Mount - Crawl-thru Left - No Controls
	<b>1953Q215</b>	Fiberglass Rib 8" Between - Crawl-Thru Right - Controls Left - Angle Clips
	<b>1953S210</b>	Fiberglass Rib 8" Between 2-1/2" Deep - Walk-thru Left - No Controls
	<b>1953S740</b>	L Shape Mount - Walk-thru Left W/ Door - No Controls
	<b>1953X31P</b>	Steel Rib 8" Between 2-1/2" Deep - Walk-thru Front with Door - Controls Right - VER-9
	<b>1953X600</b>	L Shape Mount - Walk-thru Front with Door - No Controls

<b>4" x 30" x 42"</b>	<b>PCC Part #</b>	<b>Mount style - Controls - Step - Misc</b>
	<b>1956A210</b>	Fiberglass Rib 8" Between - Step Left - Controls Right VER-10
	<b>1956A213</b>	Fiberglass Rib 8" Between - Step Left - Controls Right VER-8
	<b>1956J21L</b>	Fiberglass Rib 8" Between - I/O Step Left - Controls Right VER-10
	<b>1956L215</b>	Fiberglass Rib 8" Between - Step Right - Angle Clip Controls Left
	<b>1956N21L</b>	Fiberglass Rib 8" Between - Step Front - Controls Left VER-10

<b>24" x 48" x 42"</b>	<b>PCC Part #</b>	<b>Mount style - Controls - Step - Misc</b>
	<b>1958A21L</b>	Steel Rib 8" Between - Step Left - Controls Right VER-10
	<b>1958A283</b>	Steel Rib 8" Between - Step Left - Controls Right VER-8
	<b>1958B283</b>	Steel Rib 8" Between - 2 Steps Left - Controls Right VER-8
	<b>1958B28A</b>	Steel Rib 8" Between - 2 Steps Left - Controls Right VER-10
	<b>1958J215</b>	Steel Rib 8" Between - I/O Step Left - Controls Right VER-8
	<b>1958J26L</b>	Steel Rib mount - 18 between ribs. I/O step left, VER-10 controls right
	<b>1958K218</b>	Steel Rib 8" Between - I/O Steps Left - Controls Right VER-10



1953P600

**Call for additional bucket configurations.**

# CALL TO ORDER 260-484-3139

*All parts are PCC manufactured replacements for specified brands.*

## Customize Any Bucket with Options

<i>PCC Part #</i>	<i>Description</i>
<b>6151X100</b>	4" hose tunnel installed
<b>63211000</b>	Additional 4" x 14" step installed
<b>63211100</b>	6" x 15" step in place of standard step installed
<b>63211200</b>	Inside/outside step installed in place of standard step
<b>63211300</b>	Inside/outside step installed in addition to standard step
<b>63211400</b>	24" Toe Space
<b>63211500</b>	30" Toe Space
<b>63211600</b>	48" Toe Space
<b>63212050</b>	Walk-thru with metal frame
<b>63212150</b>	Door, hardware & installation of door for walk-thru bucket
<b>63212300</b>	Heater pouch in bucket side installed
<b>63213110</b>	Non-slip floor surface 24" x 24" bucket installed
<b>63213120</b>	Non-slip floor surface 24" x 30" bucket installed
<b>63213130</b>	Non-slip floor surface 24" x 48" bucket installed



*Call for additional bucket configurations.*

## CALL TO ORDER 260-484-3139

All parts are PCC manufactured replacements for specified brands.

## Still having trouble locating the right bucket?

If you were unable to find your exact bucket, we can build a replacement bucket to match your damaged one. Please take a few moments to fill out the worksheet below to help us build the correct bucket for you.

### 1. AERIAL MANLIFT:

Manufacturer \_\_\_\_\_ Model # \_\_\_\_\_ Mfg. Part # \_\_\_\_\_

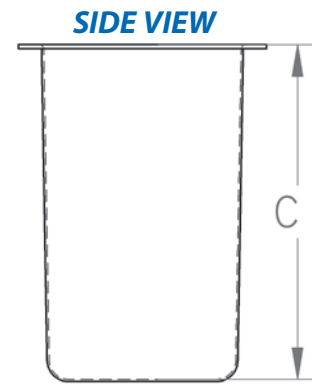
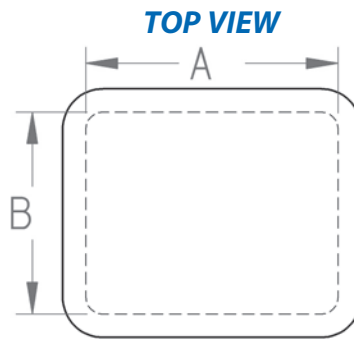
### 2. DESIRED COLOR:

Our standard is white interior white exterior. Other colors available upon request at an additional charge.  
 Inside \_\_\_\_\_ Outside \_\_\_\_\_

### 3. BUCKET SIZE:

- A. Length \_\_\_\_\_
- B. Width \_\_\_\_\_
- C. Height \_\_\_\_\_

For LENGTH and WIDTH, measure inside dimensions at top. For HEIGHT, measure from bottom of inside to top lip.



### 4. MOUNT TYPE: (circle one)

<b>RIB MOUNT</b> <i>Jump to question 5</i>	<b>STUD MOUNT</b> <i>Jump to question 6</i>	<b>SHAFT MOUNT</b> <i>Jump to question 7</i>	<b>OTHER MOUNT TYPES</b> <i>Jump to question 8</i>

### 5. RIB MOUNT:

- A. Which dimension is critical? (check one)
  - The interior of the ribs?    The exterior of the ribs?    Interior of one rib to the exterior of the other?
- B. What is that critical dimension? \_\_\_\_\_
- C. How far out do the ribs protrude from the wall of the bucket?
  - At the top? \_\_\_\_\_ At 24" from the top of the rib? \_\_\_\_\_
  - And, how long are they? \_\_\_\_\_

## CALL TO ORDER 260-484-3139

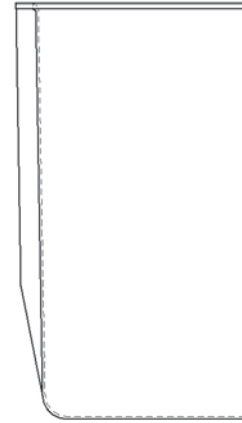
All parts are PCC manufactured replacements for specified brands.

## 5. RIB MOUNT:

D. Many customers prefer to drill the mounting holes in the ribs themselves. Do you wish to drill them yourself?

**YES** or **NO** (circle one)

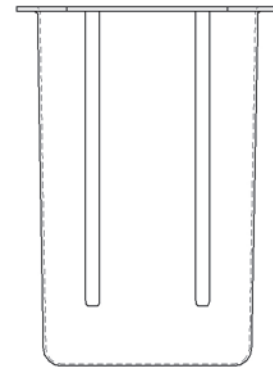
If NO and you wish for us to drill the holes, please use the diagram to the right to sketch hole size and location. If rib shape is different than what is shown, please sketch it as well.



E. Are there other items on the rib side, such as angles or studs for a guard?

**YES** or **NO** (circle one)

If YES, please use the diagram to the right to sketch dimension and location.



F. JUMP TO QUESTION 9.

## 6. STUD MOUNT:

A. Please sketch stud location on diagram

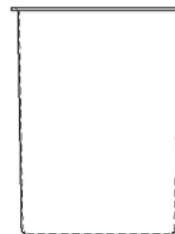
What is the stud diameter? \_\_\_\_\_

What is the type of thread? \_\_\_\_\_

What is the length of stud from bucket wall? \_\_\_\_\_

**MOUNT SIDE**

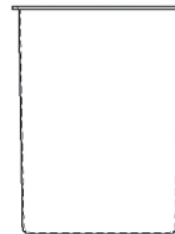
**SIDE VIEW**



B. Are there other items on the mount side, such as angles or studs for a guard?

**YES** or **NO** (circle one)

If YES, please use the diagram to the right to sketch dimension and location.



F. JUMP TO QUESTION 9.

# CALL TO ORDER 260-484-3139



## 7. SHAFT MOUNT:

A. What type of shaft mount do you have? (Asplundh, Telsta, Aerial Lift of CT, Skyworker, etc.)

\_\_\_\_\_

B. If you have an Aerial Lift of CT, we require the clamp from your existing bucket.

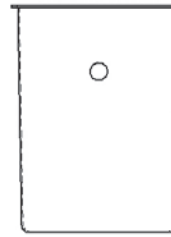
C. Are there other items on the mount side, such as angles or studs for a guard?

**YES** or **NO** (circle one)

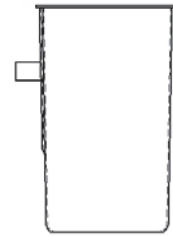
If YES, please use the diagram to the right to sketch dimension and location.

D. JUMP TO QUESTION 9.

**MOUNT SIDE**



**SIDE VIEW**



## 8. OTHER MOUNT TYPES:

A. Please sketch the mount and dimensions on the diagram to the right.

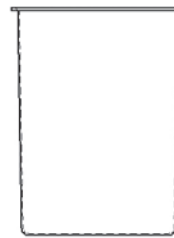
B. Are there other items on the mount side, such as angles or studs for a guard?

**YES** or **NO** (circle one)

If YES, please use the diagram to the right to sketch dimension and location.

F. JUMP TO QUESTION 9.

**MOUNT SIDE**



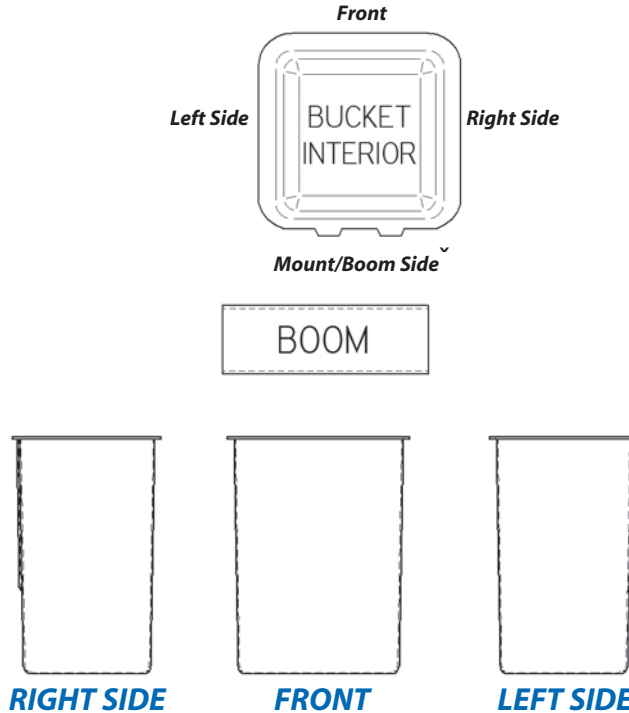
**SIDE VIEW**



All parts are PCC manufactured replacements for specified brands.

## 9. WHAT IS ON EACH SIDE OF THE BUCKET?

Picture yourself standing in the bucket with your back to the boom. Looking at each side of your bucket, please sketch the location and dimensions of any steps, control mounting, toe spaces, etc. on the diagrams below.



## 10. STEPS:

Do you need inside/outside step(s)? \_\_\_\_\_  
 (Keep in mind, if you use a liner there is no need for an inside step.)

## 11. WALK-THRU OR CRAWL-THRU:

Do you require a walk-thru or crawl-thru? (Telephone/cable buckets only)

A. **WALK-THRU** or **CRAWL-THRU** (circle one)

B. Door? **YES** or **NO** (circle one)

If YES, as you face the door from the outside, is the door hinge on the **LEFT** or **RIGHT**? (circle one)

## 12. EXTRAS:

Do you require any other extras that have not been covered to be added to your bucket?  
 (See page 21 of this catalog for a complete list of options)

---



---

# CALL TO ORDER 260-484-3139