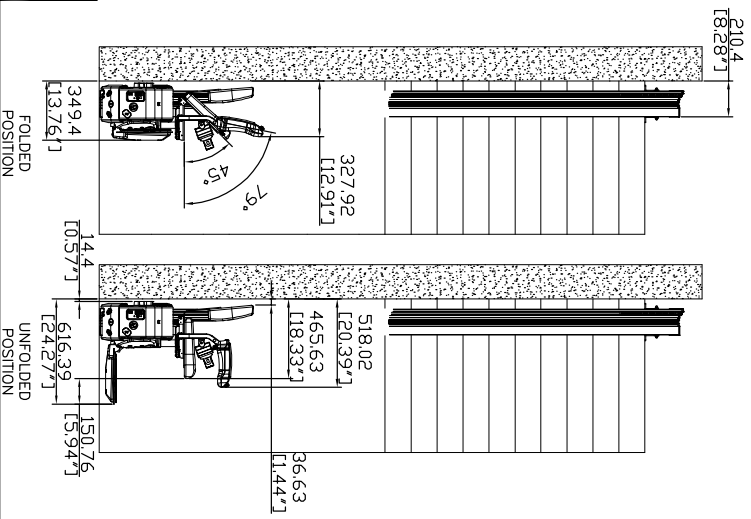


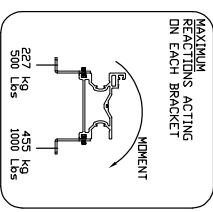
GENERAL
CLASSIFICATION: STAIR LIFT
MODEL: SL1000
CAPACITY: 158 kg [350 Lb]
SPEED: 0.1 m/sec [20"/min]
POWER SUPPLY: 110V/15A/60Hz SINGLE PHASE
MOTOR DRIVE SYSTEM: 1/2 HP-24 VDC / 110V AC CHARGER
CONTROL: RACK AND PINION
MODEL: LUT125
TYPE: CPES
C.U.L. USE#: 100556887MTL-002
CONTROL VOLTS: 24VDC
MFR.: CONTROLLED SPEED ENGINEERING LTD

SPECIFICATIONS
ANGLE OF STAIRCASE: 25° TO 45°
LENGTH OF STAIRWAY: MAX 384"
LOCATION: INDOOR
SEAT COVERING: VINYL
COLOR: BEIGE
CALL STATION: A REMOTE FOR RESIDENTIAL



ANCHORING

WOODEN THREAD: ANCHOR EACH BRACKET SET USING A MINIMUM OF 4X Ø1/4 X 2" WOOD SCREW
REINFORCED CONCRETE: ANCHOR EACH BRACKET SET USING A MINIMUM OF 4X SLEEVE ANCHORS 1/4-2"
METAL PLATE / BLOCK: ANCHOR EACH BRACKET SET USING A MINIMUM OF 4X TRHU BOLT 1/4"
BRACKET POSITION: WITHIN 18 INCHES OF EACH END OF EACH SECTION OF TRACK IN THE CENTER OF EVERY SECTION OF TRACK LONGER THAN 4 FEET
SUPPORT LOAD DIAGRAM

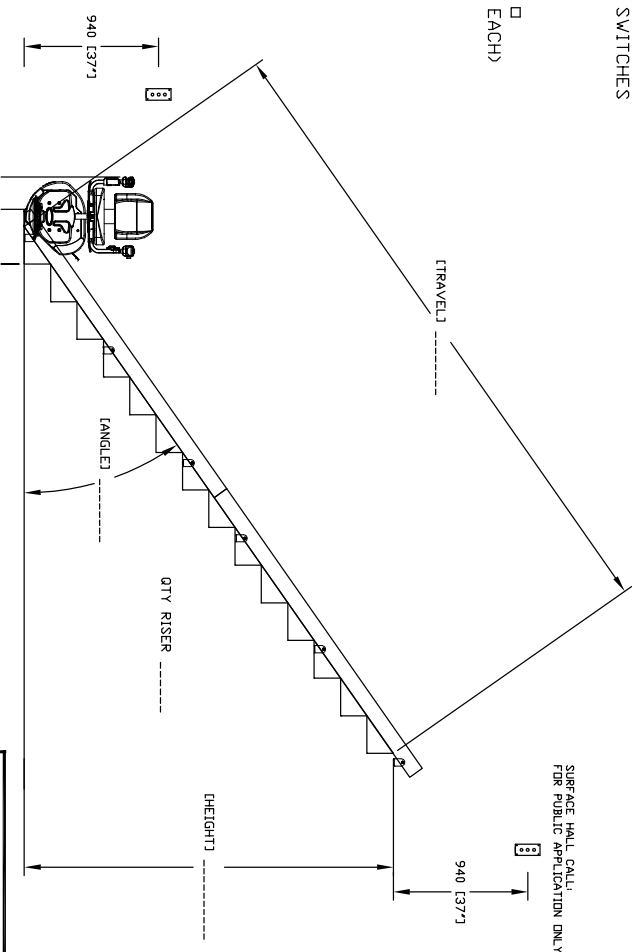
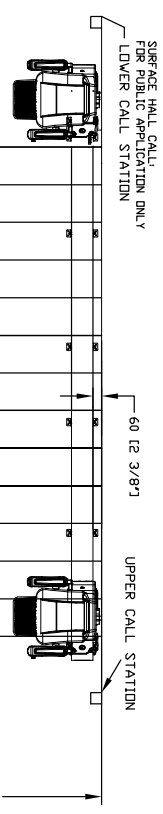
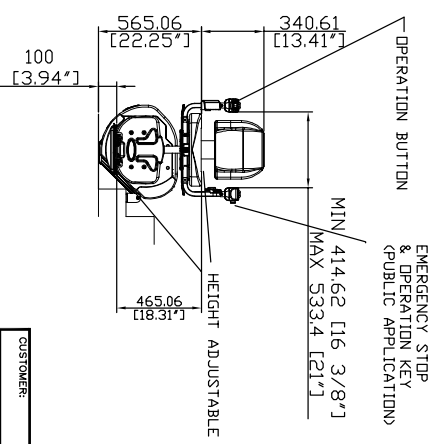


OPTIONS

SIDE OF INSTALLATION: LEFT RIGHT
QTY OF RAIL SECTION: (94" EACH)
PUBLIC PACKAGE: YES

PUBLIC PACKAGE INCLUDES:

- KEYED SURFACE MOUNT CALL STATION
- OVERSPEED GOVERNOR
- EMERGENCY STOP WITH ALARM
- IN USE LIGHT AND ALARM (ONTARIO ONLY)
- 2252 ON/OFF KEY
- FOLDING ARM SWITCHES



SL1000

CUSTOMER:		DATE:	
PROJECT:		REVISION:	
ADDRESS:		COMPILED BY:	
		ALEX B	
Part No. SL1000		Variant No. N/A	
SAVARIA		SHEET No. 1 OF 1	