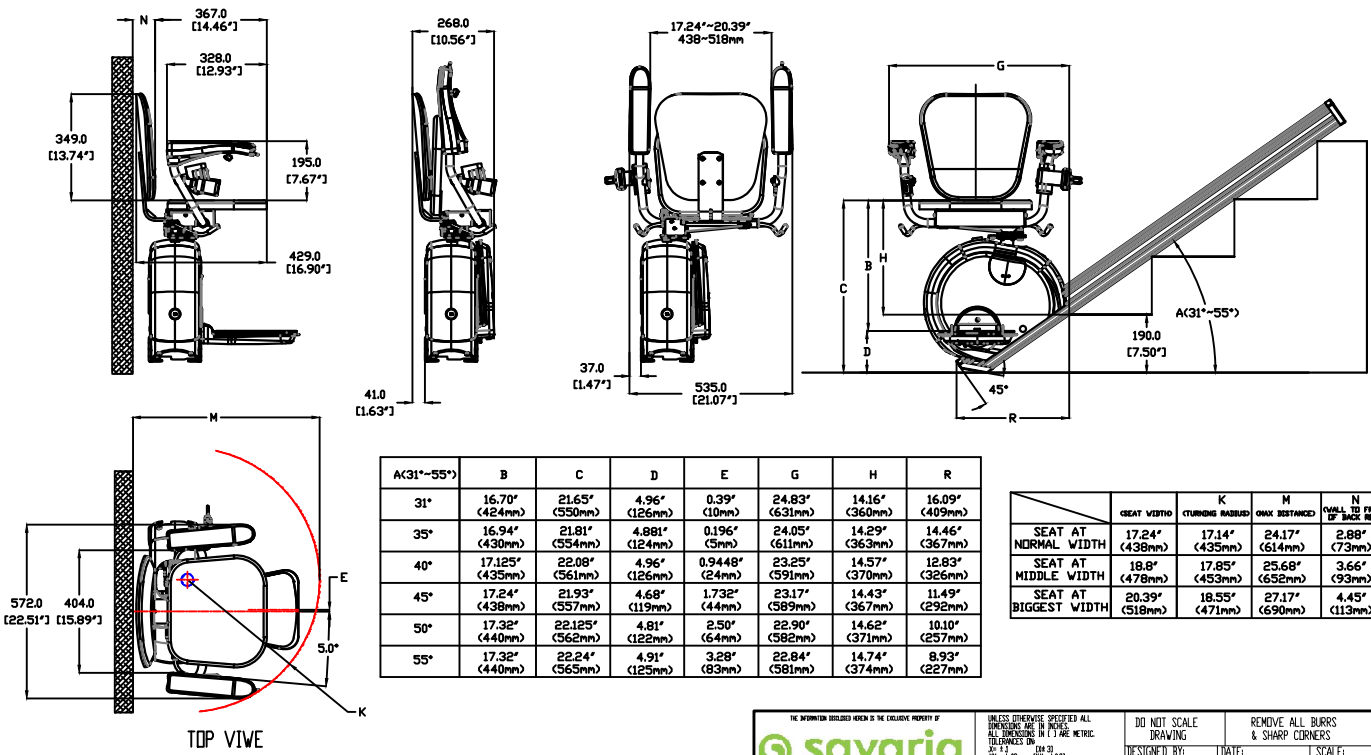


# K2 L-seat

REVISIONS			
REV	ECD. NDL	DATE	REVISED BY



	GREAT WIDTH	K TURNING RADIUS	M OAK DISTANCE	N WALL TO FRONT OF BACK REST
SEAT AT NORMAL WIDTH	17.24" (438mm)	17.14" (435mm)	24.17" (614mm)	2.88" (73mm)
SEAT AT MIDDLE WIDTH	18.8" (478mm)	17.85" (453mm)	25.68" (652mm)	3.66" (93mm)
SEAT AT BIGGEST WIDTH	20.39" (518mm)	18.55" (471mm)	27.17" (690mm)	4.45" (113mm)

THE INFORMATION SHOWN HEREIN IS THE EXCLUSIVE PROPERTY OF **savaria**.  
AND MAY NOT BE USED BY OTHERS WITHOUT PRIOR WRITTEN CONSENT

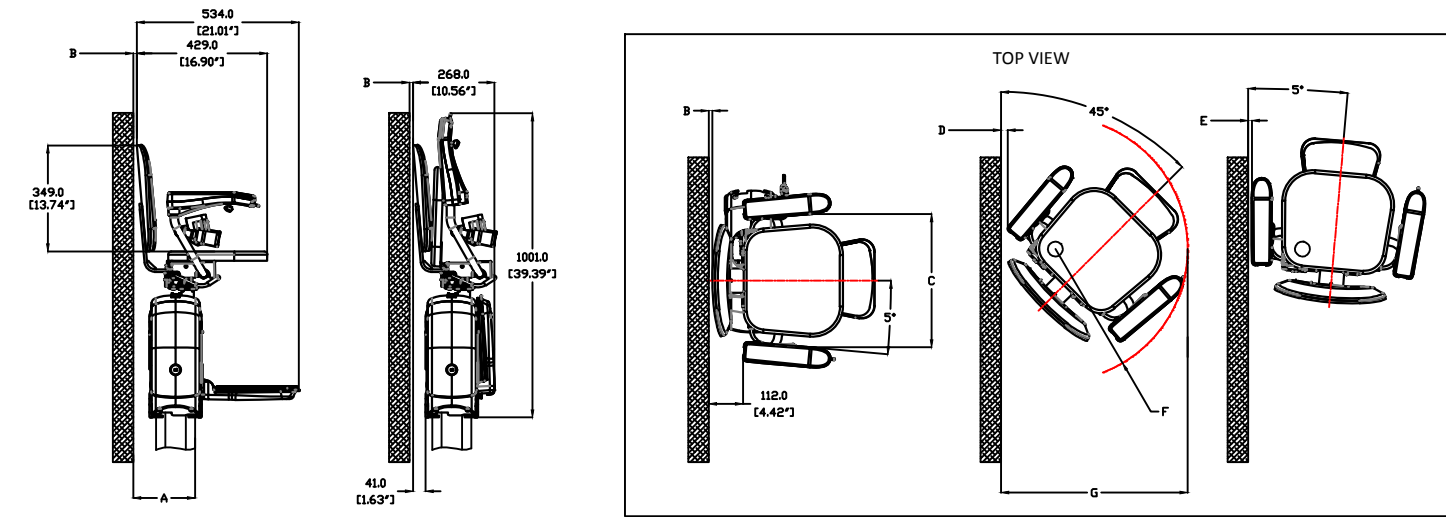
UNLESS OTHERWISE SPECIFIED ALL DIMENSIONS ARE IN INCHES.  
ALL DIMENSIONS IN ( ) ARE METRIC.  
 TOLERANCES ON:  
 DIM. ±.125 (3.18)  
 DIM. ±.001 (0.025)  
 DIM. ±.0005 (0.0127)  
 ANGLES ±.1° (1.9°)

DO NOT SCALE DRAWING  
 DESIGNED BY: DATE: SCALE: 1:1  
 REMOVE ALL BURRS & SHARP CORNERS

MATERIAL: DRAWN BY: DATE: 2015-12-11 DRAFTER:  
 FINISH: SHEET 1 OF 2 DRAWING NO:

TITLE: L-SEAT DIMENSIONAL LAYOUT

REVISION: VERSION: SIZE: B



THE INFORMATION SHOWN HEREIN IS THE EXCLUSIVE PROPERTY OF **savaria**.  
AND MAY NOT BE USED BY OTHERS WITHOUT PRIOR WRITTEN CONSENT

UNLESS OTHERWISE SPECIFIED ALL DIMENSIONS ARE IN INCHES.  
ALL DIMENSIONS IN ( ) ARE METRIC.  
 TOLERANCES ON:  
 DIM. ±.125 (3.18)  
 DIM. ±.001 (0.025)  
 DIM. ±.0005 (0.0127)  
 ANGLES ±.1° (1.9°)

DO NOT SCALE DRAWING  
 DESIGNED BY: DATE: SCALE: 1:1  
 REMOVE ALL BURRS & SHARP CORNERS

MATERIAL: DRAWN BY: DATE: 2015-12-11 DRAFTER:  
 FINISH: SHEET 2 OF 2 DRAWING NO:

TITLE: L-SEAT MOUNTING DIMENSION

REVISION: VERSION: SIZE: B