

Folded depth an  
industry-leading  
**10<sup>3</sup>/<sub>4</sub>"!**



**Easy and fast installation  
that eliminates the barrier  
of stairs in the home**

**Ultra slim profile folds  
compactly out of the way  
when not in use**

**Comfortable and  
width-adjustable  
for best fit**

# Savaria® K2 Stairlift

## K2 - STRAIGHT TO THE TOP



The Savaria K2 stairlift is one of the easiest ways to stay in your home and enjoy the freedom of barrier-free living. Installed on your stairs, in only a few hours, the stairlift carries you smoothly and quietly up a straight flight of stairs. The Savaria K2 stairlift is uniquely compact – with the slimmest fold-up dimension on the market at only 10 <sup>3</sup>/<sub>4</sub>" wide – to allow easy access to the stairs when the lift is not in use.

With safety features including a retractable seat belt, overspeed governor and obstacle sensor system, you can count on your Savaria stairlift. Finished in soft white with an unobtrusive design, the K2 blends easily into your home décor.

 **savaria®**

# Savaria® K2 Stairlift

## K 2 – STRAIGHT TO THE TOP



- Ultra slim folded size of only 10 ¾" – the smallest profile on the market to keep the unit out of the way when not in use
- Quiet and smooth-riding operation from the rack and pinion drive system
- Battery operated with built-in charging on the top and bottom of the rail so the chair can be used several times even through a power failure
- LED status lights to advise you of any issues
- Obstacle sensor system on the carriage and footrest to stop the chair if it meets an obstacle
- Swivel and lock seat at top landing for added stability getting on and off the chair
- Retractable seat belt with anti-slip footrest for safety and ease of use
- Fast installation means you can enjoy the benefits of your stairlift quickly
- Unit can be installed on either side of the stairs and includes 2 remote controls plus toggle switch on arm rest for easy operation
- Comfortable and durable seat with width-adjustable arms up to 20" wide and 350 lb capacity
- Options: continuous charge system, flip-up rail, seat swivel paddle, rail extension brackets to create no intrusion at top landing and emergency stop button

## SPECIFICATIONS

Applications	Residential, indoor, straight-run stairway
Capacity	350 lb (159 kg) <sup>1</sup>
Maximum travel distance	32 ft (9.75 m)
Travel Speed	15 ft/min (0.08 m/s)
Drive	Rack and pinion
Motor	½ HP, 24 VDC power that charges on standard household power
Fold-up width	10 ¾" (27.3 cm) <sup>2</sup>
Fold-out width	21 ½" (54.6 cm) <sup>2</sup>
Range of incline	30° to 55°
Warranty	36 months parts, ask dealer for details

<sup>1</sup>For stairs steeper than 45°, maximum capacity is 300 lb.

<sup>2</sup>Some additional running clearance may be required by local code.

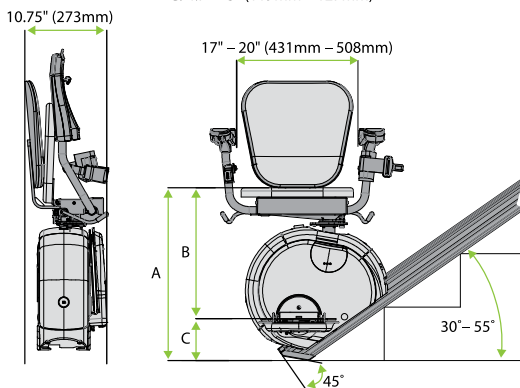
**Talk to a skilled Savaria dealer about how the Savaria K2 stairlift can give you the mobility you need in your home without major construction.** Your local dealer can ensure your Savaria product is installed to comply with local and national codes.

### Measurements vary based on rail angle:

A: 21.7" – 22.2" (551mm – 564mm)

B: 16.7" – 17.3" (424mm – 439mm)

C: 4.7" – 5" (119mm – 127mm)



Authorized Savaria Dealer:

 **savaria.**

[www.savaria.com](http://www.savaria.com)

2 Walker Drive, Brampton, ON L6T 5E1 Canada

tel: 800.661.5112 fax: 905.791.2222