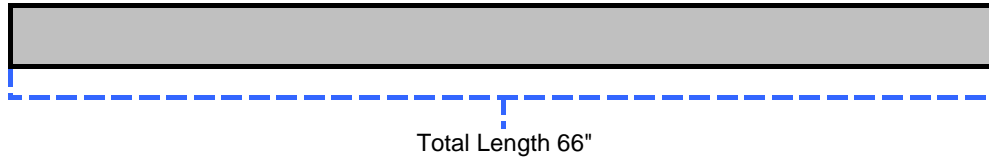


# 402 SIDE MOUNT

**Lower support pipe P/N: 028802910 ( 1 pcs. )**

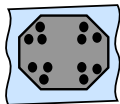
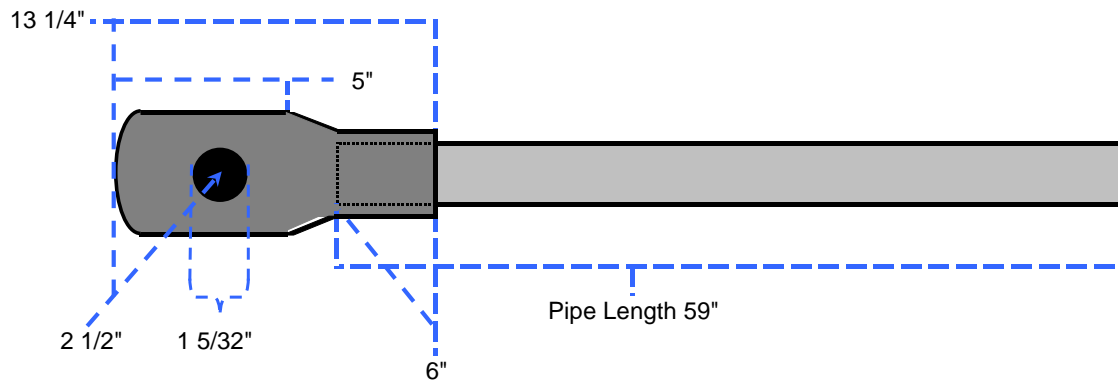
Aluminum pipe 1" SCHEDULE 40



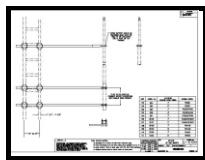
**Upper support pipe P/N: 028313002 ( 1 pcs. )**

Aluminum pipe P/N: 028314901 ( 1 1/2 OD x 1/8 wall 6061 T6 )

PCV pipe P/N: 041663901 ( PVC 1120 1 1/2 schedule 80 grey )



Hardware Kit Bag Assembly ( P/N: 100151000 ) --- 5 per side mount



Field Assembly Instructions ( P/N: 041600501 ) --- 1 per side mount