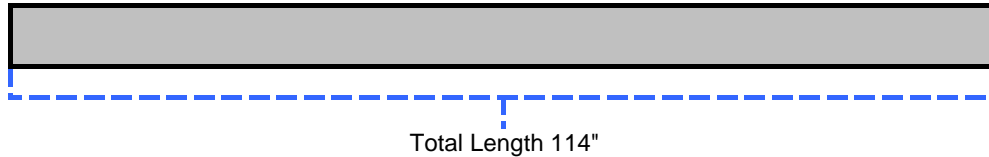


403 SIDE MOUNT

Lower support pipe P/N: 041668901 (1 pcs.)

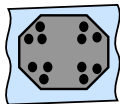
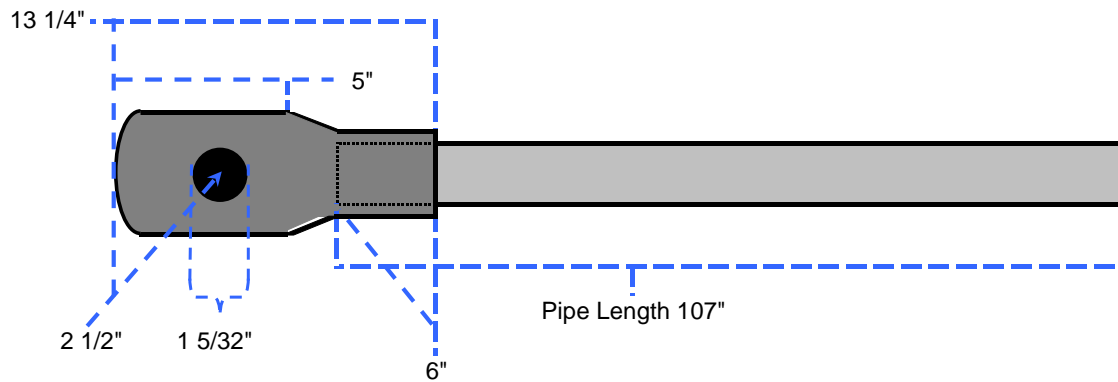
Aluminum pipe 1" SCHEDULE 40



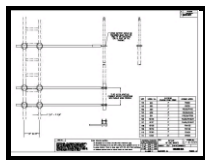
Upper support pipe P/N: 028313001 (1 pcs.)

Aluminum pipe P/N: 028314901 (1 1/2 OD x 1/8 wall 6061 T6)

PCV pipe P/N: 041663901 (PVC 1120 1 1/2 schedule 80 grey)



Hardware Kit Bag Assembly (P/N: 100151000) --- 5 per side mount



Field Assembly Instructions (P/N: 041600501) --- 1 per side mount