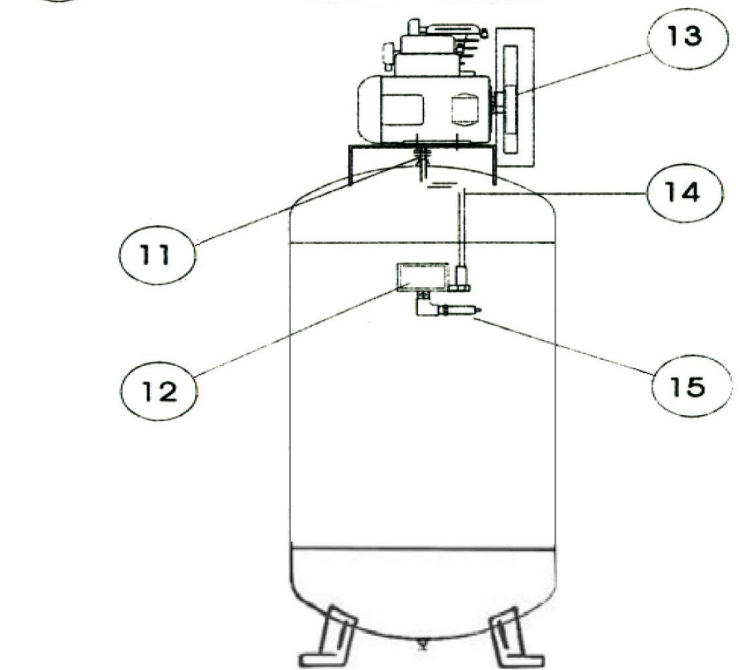
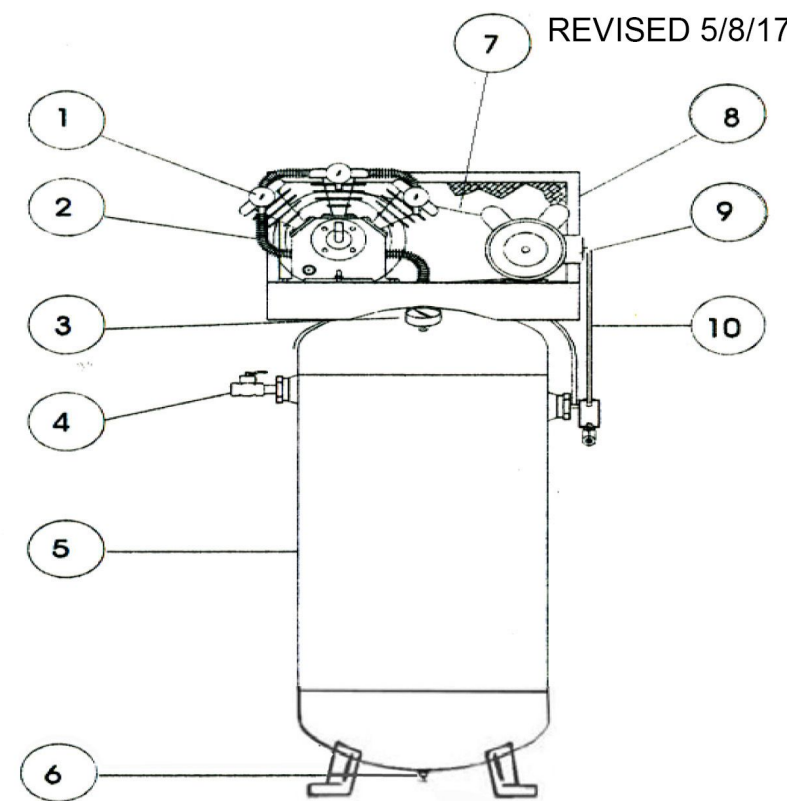


MAXair Premium Air Compressor part breakdown - C5160V1-MAP

REVISED 5/8/17

| Item | Description | C5160V1-MAP |
|------|---------------------------|---------------------|
| 1 | Compressor w/ Flywheel | PT03AHP |
| 2 | Discharge Tube (2.5ft) | TU-23-AL |
| | Fitting/Elbow | EL1/4X90 |
| 3 | Pressure Gauge (LIQUID) | PGLF200-2.5BM1/4 |
| 4 | Outlet Valve (BALL VALVE) | BV1/4MXF |
| 5 | Air Receiver (TANK) | 60V20X48BR-Y |
| 6 | Drain Valve | OSB WO DC Assembly |
| 7 | V-Belt | 4L530 |
| 8 | Belt Guard | BGC |
| 9 | Motor - 1 Phase, 208/230V | EM05.0-36-10 |
| 10 | Wiring Harness | 12/3-24-C4 |
| 11 | Check Valve | CTF1/2X1/2 Assembly |
| 12 | Pressure Switch | 3BEHD-170 |
| 13 | Pulley - Motor | MA38X7/8 |
| 14 | Unloader Tube w/ Fittings | TU1/4BLK |
| 15 | Safety Valve | PSV1/4-170 |
| | Eagle Compressor Oil | EAOIL10 |



C5160V1-MAP

MAXair PREMIUM



Call 1-800-551-2406 for the Customer Service Department.