

ADVANTAGE[®]

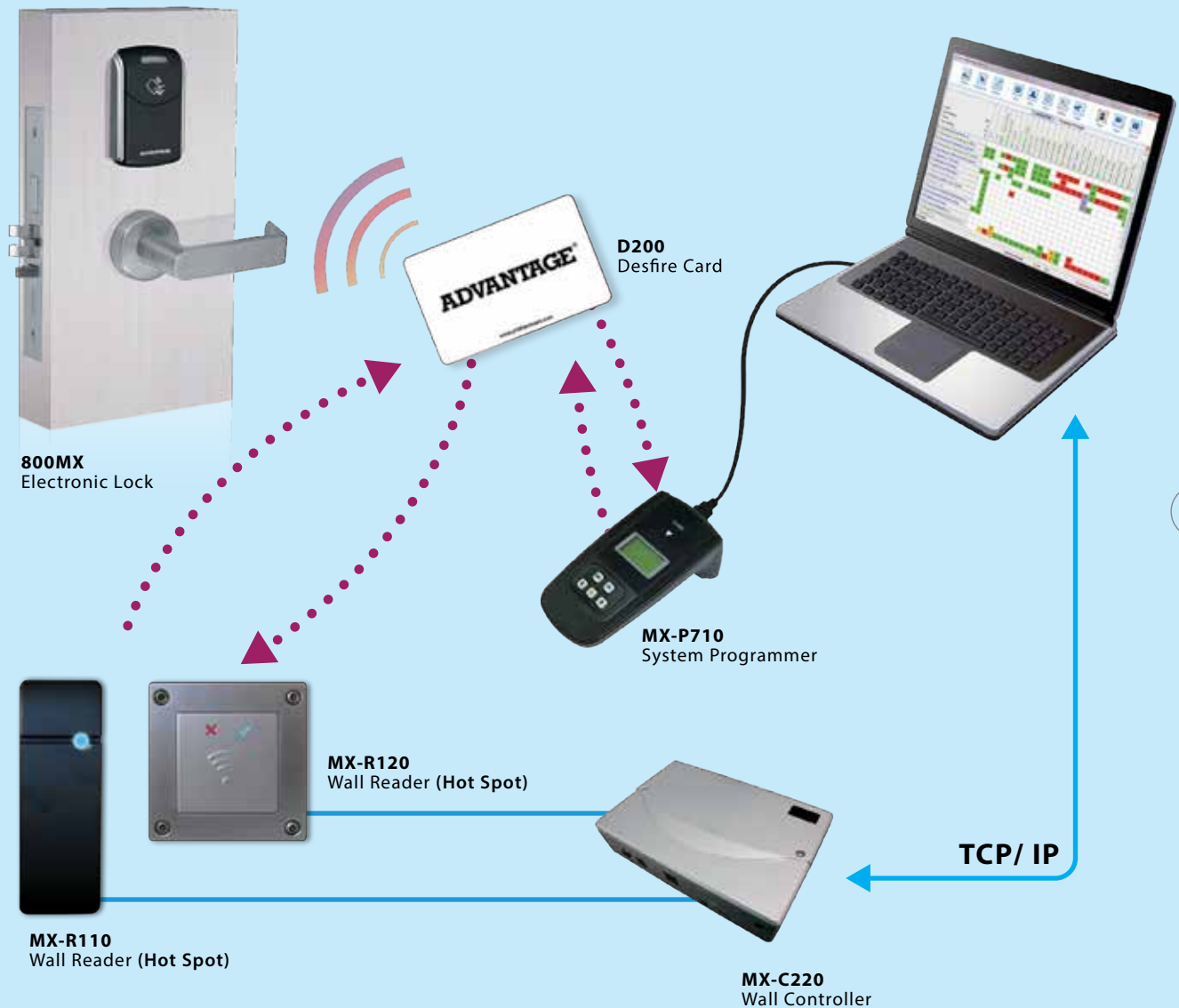
ACCESS CONTROL



**LIBERTY
BUILDING
PRODUCTS**

Barn Door Hardware | Builders Hardware | Commercial Hardware | Hinges
Jambs | Locksets | Pocket Door Frames | PVC Products | Transoms

800MX Access Control System



Features:

- Virtual Networking System
- Access Right Updated by the Hot spot
- Max Door: 64,000
- Max User: 64,000
- Time Zone: Max 128; 12 intervals each
- Calendar: 128 with Holiday options
- Opening Mode:
 1. Standard
 2. Office Mode
 3. Toggle
 4. Timed Toggle
- Daylight Saving Time
- Emergency Mode
- Audit Trail: 2,048 events per device

- Transponder: Mifare Desfire
- Reports
- Lock Low Battery Warning List
- Database Automatic Backup
- Export or Import Data
- User Account Authorization
- Black List on User Transponders

Application:

Customize access to your needs of zone, building, unit or department.

800MX

ELECTRONIC SPECIFICATIONS:

- Transponder: Mifare Desfire, ISO 14443 Type A
- Reading Distance up to 30mm
- Acoustic Low Power Warning
- Support 9V External Power Supply
- Battery Life: 25,000 Operation or 2 Years Standby
- Battery: 1.5V AAA x 3pcs
- IP54
- Operation Temperature: 25°F~140°F (-20°C ~ 60°C)
- Mechanical Key Override

MECHANICAL SPECIFICATIONS:

- US ANSI Grade 1, UL 3H Fire Rated
- Door Thickness: 1-3/4" ~ 2"

Spacing:

- Center to center, hub to cylinder: 3-5/8" (92mm)
- Center to center, hub to turnpiece 2-11/16" (68 mm)

Handing: Field reversible (Standard shipped in Right hand)

Mortise Case:

- Size : 5-41/50" x 4-1/4" x 15/16"
- Heavy Gauge cold rolled steel, zinc dichromate plated for corrosion resistance
- Faceplate Adjustable from flat to standard 1/8" in 2" beveled door edges

Backset: 2-3/4" only

Faceplate: 8" x 1-1/4". Stainless steel

Latchbolt: 3/4" throw anti-friction, stainless steel. Field reversible

Deadbolt: 1" throw, stainless steel

Guard Bolt: Non-handed, stainless steel

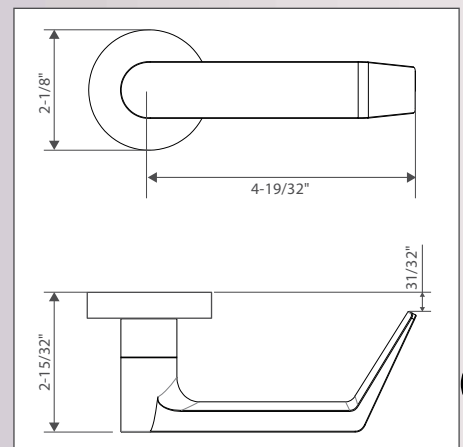
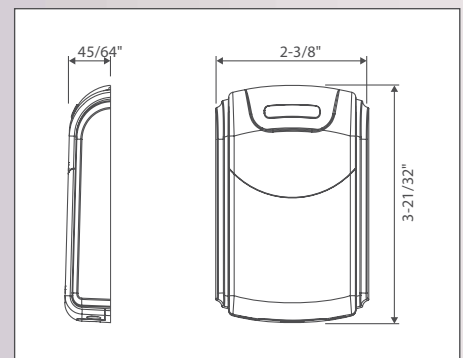
Strike: 4-7/8" x 1-1/4" x 3/32" (ASA) Curved Lip, Stainless steel

Mortise Cylinder:

Size 1-1/8" Standard for Sectional Trim, door fitting 1-3/4"

Keying can be MK, CMK, GMK

Finish: 626 (US26D)



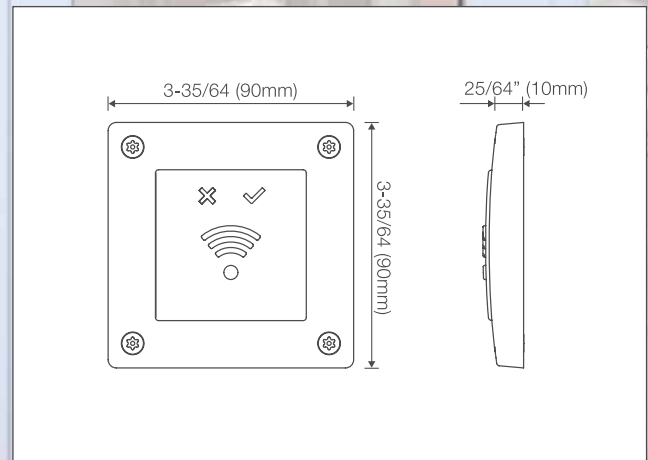
MX-R120

Vandal Proof Wall Reader

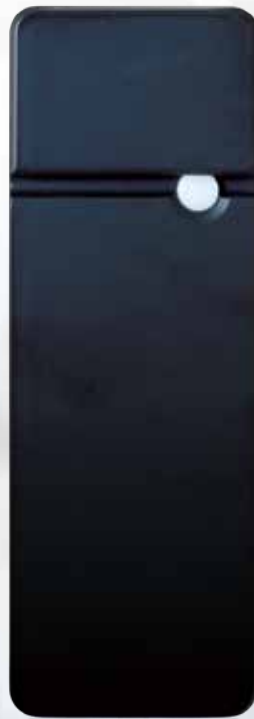


SPECIFICATIONS:

- Compact Design and Ease of Installation
- Surface Mount on the Wall
- Metal Cover for Vandal Proof
- Transponder: Mifare Classic, (13.56Mhz)
- Reading Distance: up to 2"
- Power from Controller
- Operation Temperature: -4F°~158F°(-20°C ~ 70°C)
- 9'10-7/64"(3M) Cable Connected to Controller
(Special order 32'9-45/64"(10m))
- Communicate through RS485 to Controller
- LED Indication Interface
- Acoustic Sound to Indicate Opening
- Firmware Upgradeable
- CE Certificate
- IP67

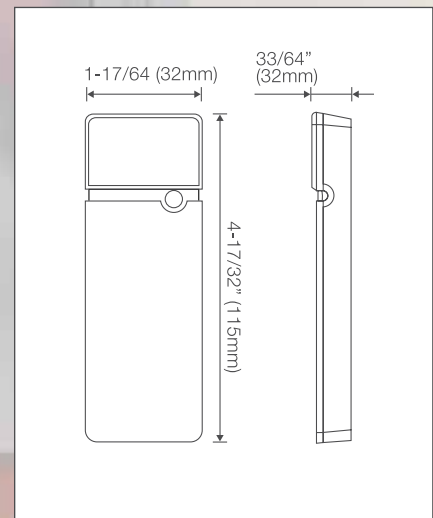


MX-R110 Wall Reader

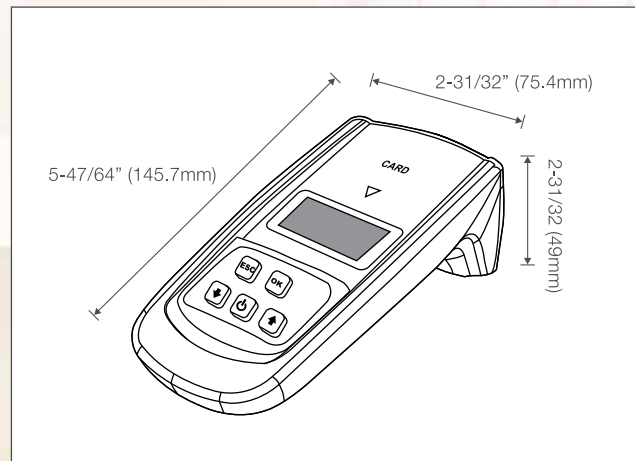


SPECIFICATIONS:

- Compact Design & Ease of Installation
- Surface Mount on the Wall
- Transponder: Mifare Classic (13.56Mhz)
- Reading Distance: up to 2"
- Power From Controller
- Operation Temperature: -4F°~158F°(-20°C ~ 70°C)
- 9'10-7/64"(3M) Cable Connected to Controller
(Special order 32'9-45/64"(10m))
- Communicate through RS485 to Controller
- LED Indication Interface
- Acoustic Sound to Indicate Opening
- Firmware Upgradeable
- CE Certificate
- IP54



MX-P710 Programmer



SPECIFICATIONS:

MX-P710

- USB 2.0 Interface
- Mifare Reader
- Real Time Clock
- Battery: 1.5V AAA x 3pcs
- Operation Temperature: 14°F ~ 122°F (-10°C ~ 50°C)
- LED Indication Interface
- Firmware Upgradeable
- CE Certificate

MX-P900

- Electronic lock initializer
- Lock data read/ write by NFC interface through MX-P710 programmer
- Cable: USB to micro USB

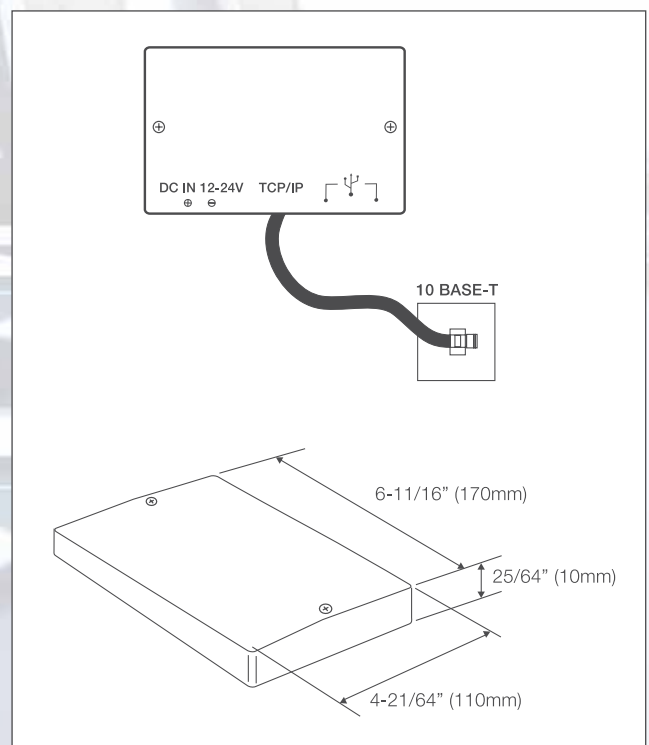


MX-C221 Controller

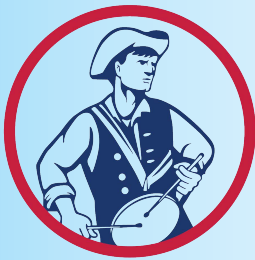


SPECIFICATIONS:

- Surface Mount
- DC12V ~ 24V
- Operation Temperature: -4F°~158F°(-20°C ~ 70°C)
- 2 Wall Readers
- 5 Inputs
- 2 Relay Outputs(single door only)
- Firmware Upgradeable
- CE Certificate



DISTRIBUTION BY:



LIBERTY BUILDING PRODUCTS

Barn Door Hardware | Builders Hardware | Commercial Hardware | Hinges
Jambs | Locksets | Pocket Door Frames | PVC Products | Transoms

Barn Door Hardware • Builders Hardware • Commercial Hardware • Hinges
Jambs • Locksets • Pocket Door Frames • PVC Products • Transoms

7 Mary Way • Hainesport, NJ 08036
Tel: 1-609-261-2200 • Fax: 1-609-261-2233
liberty@libertybp.net • www.libertybp.net

LibertyADV 02/2023

