



# LIBERTY BUILDING PRODUCTS

## COMMERCIAL LOCKS



HURRICANE  
APPROVED HARDWARE

MIAMI-DADE COUNTY  
APPROVED

Grade 1 F Series  
Grade 2 E Series

Notice of Acceptance  
(NOA) No. 15-0629.03

Air Infiltration rating +/- 90 PSF

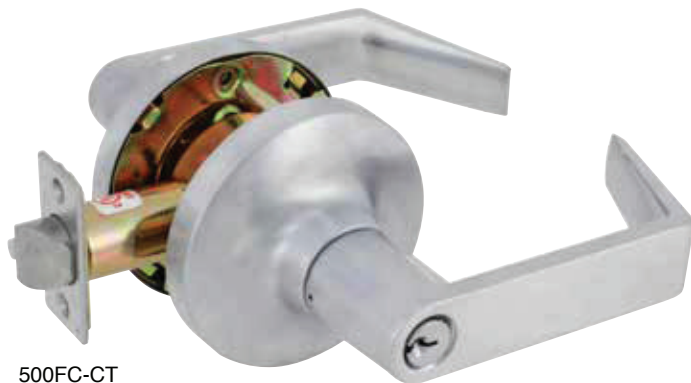
Water Resistance rating +/- 90 PSF

Florida Building Code: 20485

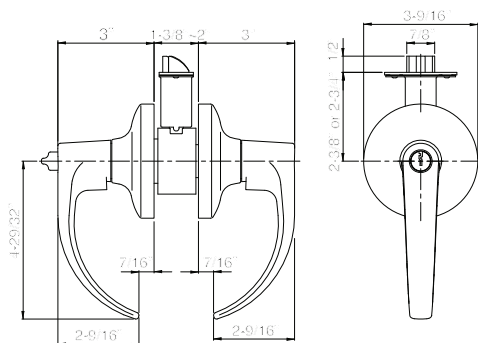
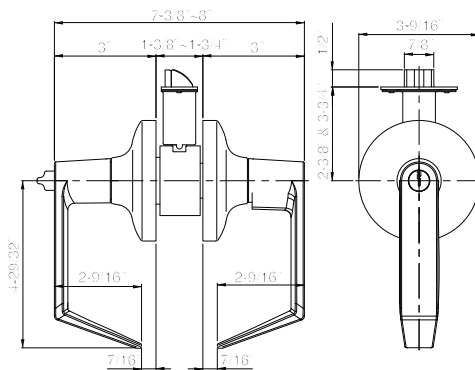
**BHMA**  
CERTIFIED™

# F Series

## CYLINDRICAL LEVERSET (CLUTCH)



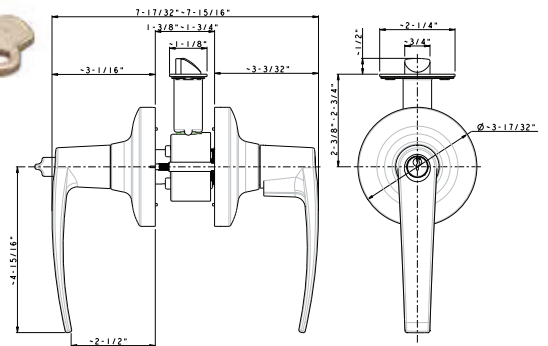
500FC-CT  
Charlotte (CT) Lever



500FK-CT  
Charlotte (CT) Lever



500FC-SD  
San Diego (SD) Lever



### Features

- SC4 6-pin Standard
- Independent Torsion Springs
- Fast and Easy Installation
- Clutch Function Standard
- Removable Through Bolt, 2-3/4" CTC
- Panic Proof (inside always free)
- Concealed Mounting Screws

**FC Series:** Lock with standard cylinder or no cylinder

**FK Series:** Lock with interchangeable core design

**FSE Series:** Electrified - Failure Secure



500FC-MD  
Madison (MD) Lever

# ANSI GRADE 1 CLUTCH

## LIFETIME Warranty

**ANSI GRADE 1**  
ANSI/BHMA A156.2-2003  
Series 4000, Grade 1  
Exceeds 800,000 Cycles



**LISTED**

3 Hours Fire Rating  
UL10C/  
UBC 7-2(1997)  
Positive Pressure  
Rated



ADA Compliant  
ANSI A117.1  
Barrier Free  
Accessibility



NOA No. 15-0629.03 +/- 90 PSF  
Florida Building Code: 20485

**CALIFORNIA STATE  
REFERENCE CODE**  
Formerly Title 19, California  
State Fire Marshal (CSFM)  
levers return to within  
1/2" of door face  
(CT & SD Lever Only)

## Specifications

Door Fitting	1-3/8" ~ 2" door thick. Factory preset at 1-3/4". Thru-Bolt CTC: 2-3/4".
Exposed Trim	Wrought brass. Pressure cast zinc lever.
Lock Chassis	Heavy gauge dichromated steel. Zinc dichromated for corrosion resistance.
Cylinder	Solid brass SC4 6-pins standard. KW1 5-pins optional.
Latch	1/2" throw, 7/8" dia. stainless steel latch bolt. 1-1/8" x 2-1/4" faceplate. Floating latch design fits both flat or beveled doors 1/8" in 2".
Strike	ASA strike standard (9109). T-Strike optional (9106).
Handing	Universal, non-handing.
Screws	Combination screws for both metal and wood doors.
Keys	2 brass keys per set. Key as requested (KA, KD, MCK, MK, GMK).
IC Core	FK Series, e.g. 500FK for Entrance. FSIC compatible with BEST profile 6-pins and 7-pins. LFIC (Schlage Profile) available for CT and SD levers.
Electrified	Model: 504FSE. Failure Secure Type, Input DC-12V/24V.

## 3/4" Throw Anti-Friction Latch



**F9070T3**  
Dead latch for 2-3/4" backset  
1-1/8" x 2-1/4" faceplate  
For use fire rated pair of doors

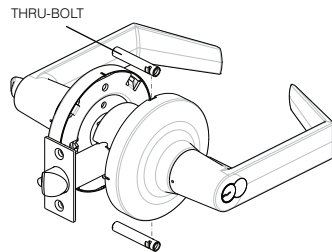


BEST IC



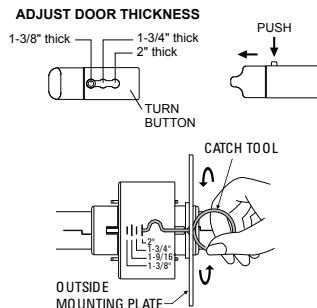
Schlage IC

## Removable Through Bolt

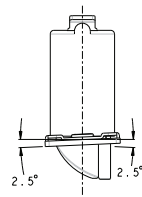


\* Note: Install w/o thru-bolts void ANSI Grade 1, and warranty.

## Adjustable Door Fitting

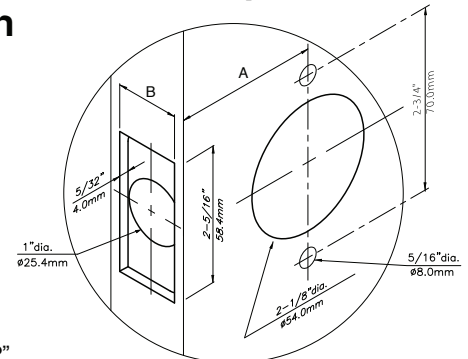


## Floating Latch Design



Adjustable for flat or beveled doors 1/8" in 2"

## Door Preparation



Backset	2-3/4"	2-3/8"
A	2-3/4"	2-3/8"
B	1-3/16"	1-3/16"

## Latch & Parts



**F9060T**  
Dead Latch for 2-3/8" backset  
**F9070T**  
Dead Latch for 2-3/4" backset

**521FC/FK Corridor Function Only**  
**F9069T**  
Kick-off Dead Latch for 2-3/8" backset  
**F9079T**  
Kick-off Dead Latch for 2-3/4" backset



**F9063T (kick-off)**  
Spring Latch for 2-3/8" backset  
**F9073T (kick-off)**  
Spring Latch for 2-3/4" backset



**1214**  
5" backset  
extension tube  
(use with 2-3/4" backset latch)

**1138**  
3-3/4" backset  
extension tube  
(use with 2-3/8" backset latch)

## Strike

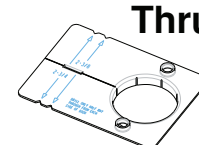


**9109 ASA Strike**  
1-1/4" x 4-7/8",  
5/8" lip



**9106 T-Strike**  
1-1/8" x 2-3/4"

**ES-50**  
Electric Strike



## Thru-Bolt Jig (Metal)

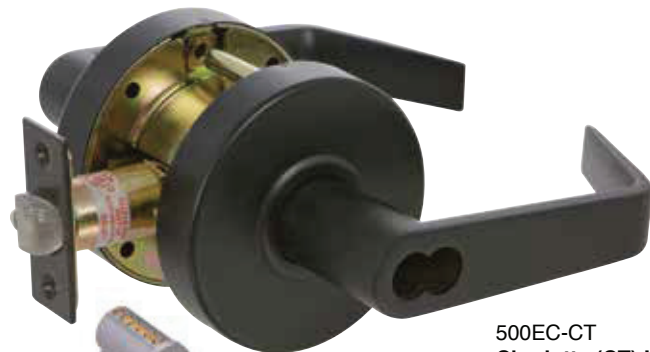
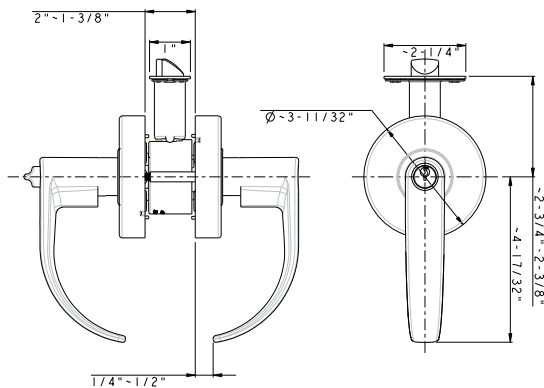
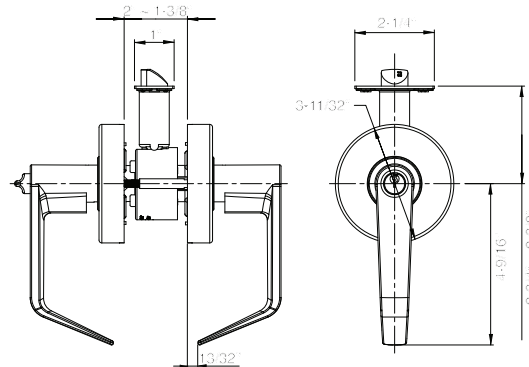
**9234**  
2-3/8" or 2-3/4" backset  
Vertical CTC 2-3/4"

# E Series

## CYLINDRICAL LEVERSET (CLUTCH)



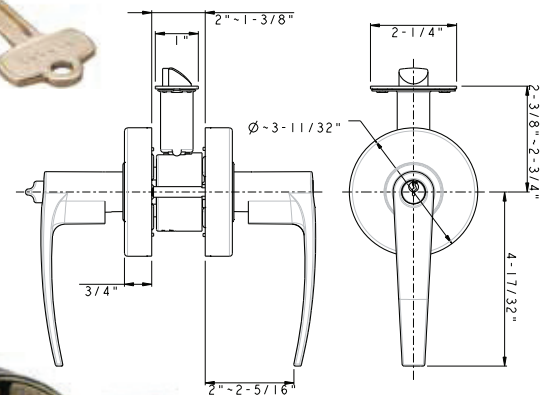
500EV-CT  
Charlotte (CT) Lever



500EC-CT  
Charlotte (CT) Lever



500EV-SD  
San Diego (SD) Lever



### Features

- SC4 6-pin Standard
- Independent Torsion Spring
- Fast and Easy Installation
- Clutch Function Standard
- Removable Through Bolt, 2-3/4" CTC
- Panic Proof (inside always free)
- Concealed Mounting Screws



500EV-MD  
Madison (MD) Lever

**EV Series:** Lock with standard cylinder or no cylinder

**EC Series:** Lock with interchangeable core design

# ANSI GRADE 2 CLUTCH

## LIFETIME Warranty

**ANSI GRADE 2**  
ANSI/BHMA A156.2-2011  
Series 4000, Grade 2  
Exceeds 400,000 Cycles



**LISTED**

3 Hours Fire Rating  
UL10C/  
UBC 7-2(1997)  
Positive Pressure  
Rated



ADA Compliant  
ANSI A117.1  
Barrier Free  
Accessibility



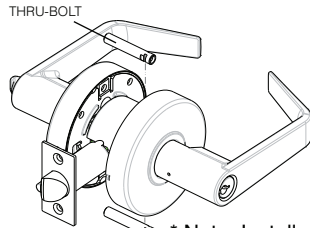
NOA No. 15-0629.03 +/- 90 PSF  
Florida Building Code: 20485

**CALIFORNIA STATE  
REFERENCE CODE**  
Formerly Title 19, California  
State Fire Marshal (CSFM)  
levers return to within  
1/2" of door face  
(CT & SD Lever Only)

## Specifications

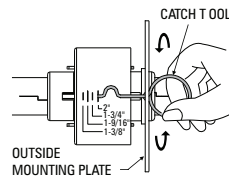
Door Fitting	1-3/8" ~ 2" door standard. Factory preset at 1-3/4". Thru-Bolt CTC: 2-3/4".
Exposed Trim	Wrought brass. Pressure cast zinc lever.
Lock Chassis	Heavy gauge dichromated steel. Featuring a solid zinc rosette, both interior and exterior for extra security.
Cylinder	Solid brass SC4 6-pins standard. KW1 5-pins optional.
Latch	1/2" throw stainless steel latch bolt. Square corner faceplate standard, round corner available. 2-3/4" backset: 1-1/8" x 2-1/4" faceplate. Optional for 1" width. 2-3/8" backset: 1" x 2-1/4" faceplate. Foating latch design fits both flat or beveled doors 1/8" in 2" Backset: 2-3/4" stanard, optional for 2-3/8", 3-3/4" & 5".
Strike	ASA Strike standard (9109).
Handing	Universal, non-handing.
Screws	Combination screws for both metal and wood doors.
Keys	2 brass keys per set. Key as requested (KA, KD, MCK, MK, GMK).
IC Core	EC series, e.g. 500EC for Entrance. SFIC compatible with BEST profile 6-pins and 7-pins.

## Removable Through Bolt

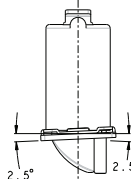


\* Note: Install w/o thru-bolts void  
ANSI Grade 2, and warranty.

## Adjustable Door Fitting

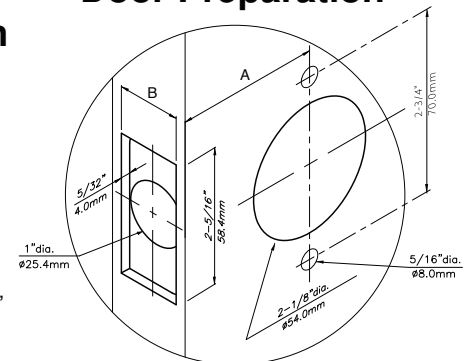


## Floating Latch Design



Adjustable for flat or  
beveled doors 1/8" in 2"

## Door Preparation



## Latch & Parts



**E9060T**  
Dead Latch for 2-3/8" backset  
**E9070T**  
Dead Latch for 2-3/4" backset

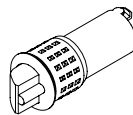


**521EV/EC Corridor Function Only**  
**E9069T**  
Kick-off Dead Latch for 2-3/8" backset  
**E9079T**  
Kick-off Dead Latch for 2-3/4" backset

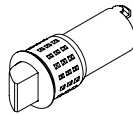
**E9063T (kick-off)**  
Spring Latch for 2-3/8" backset  
**E9073T (kick-off)**  
Spring Latch for 2-3/4" backset



**1180**  
Faceplate Adapter  
Use on 1" width for  
1-1/8" width requirement



**E9060C**  
Drive-in Dead. Latch for 2-3/8" backset  
**E9070C**  
Drive-in Dead. Latch for 2-3/4" backset



**E9063C (kick-off)**  
Drive-in Spring. Latch for 2-3/8" backset  
**E9073C (kick-off)**  
Drive-in Spring. Latch for 2-3/4" backset



**2214**  
5" backset  
extension tube  
(use with 2-3/4" backset latch)



**2138**  
3-3/4" backset  
extension tube  
(use with 2-3/8" backset latch)

Backset	2-3/4"	2-3/8"
A	2-3/4"	2-3/8"
B	1-3/16"	1-1/16"

## Strike



**9109 ASA Strike**  
1-1/4" x 4-7/8",  
5/8" lip

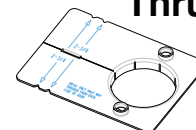
**9106 T-Strike**  
1-1/8" x 2-3/4"



**ES-50**  
Electric Strike



## Thru-Bolt Jig (Metal)



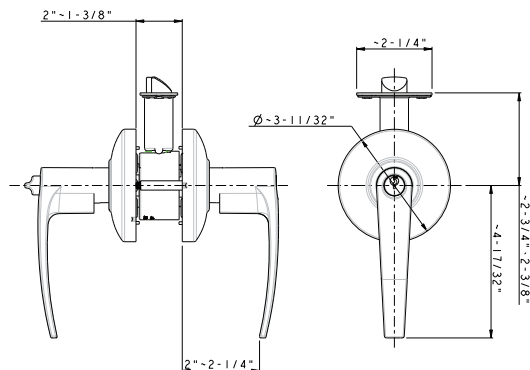
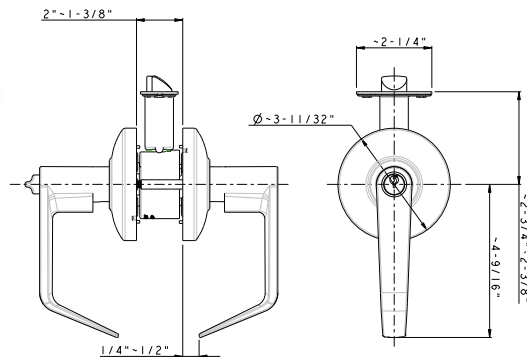
**9234**  
2-3/8" or 2-3/4" backset  
Vertical CTC 2-3/4"

# H Series

## CYLINDRICAL LEVERSET (NON-CLUTCH)



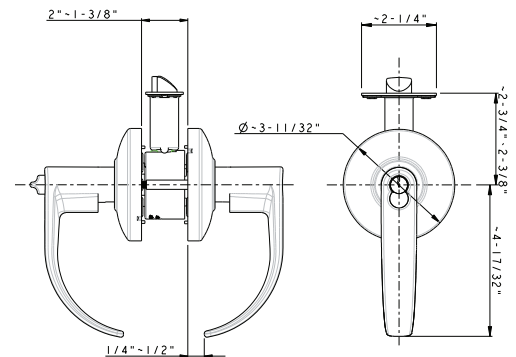
500HV-CT  
Charlotte (CT) Lever



500HC-SD  
San Diego (SD) Lever



500HV-MD  
Madison (MD) Lever



### Features

- SC4 6-pin Standard
- Independent Torsion Spring
- Fast and Easy Installation
- Removable Through Bolt, 2-3/4" CTC
- Panic Proof (inside always free)
- Concealed Mounting Screws

**HV Series:** Lock with standard cylinder or no cylinder

**HC Series:** Lock with interchangeable core design



500HC-CT  
Charlotte (CT) Lever

# ANSI GRADE 2 NON-CLUTCH

## LIFETIME Warranty

**ANSI GRADE 2**  
ANSI/BHMA A156.2-2011  
Series 4000, Grade 2  
Exceeds 400,000 Cycles



**LISTED**

3 Hours Fire Rating  
UL10C/  
UBC 7-2(1997)  
Positive Pressure  
Rated



ADA Compliant  
ANSI A117.1  
Barrier Free  
Accessibility

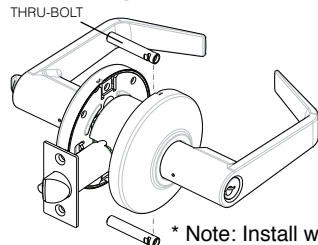
## CALIFORNIA STATE REFERENCE CODE

Formerly Title 19,  
California State Fire Marshal (CSFM)  
levers return to within 1/2" of door face  
(CT & SD Lever Only)

## Specifications

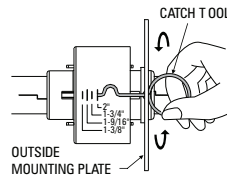
Door Fitting	1-3/8" ~ 2" door standard. Factory preset at 1-3/4". Thru-Bolt CTC: 2-3/4".
Exposed Trim	Wrought brass. Pressure cast zinc lever.
Lock Chassis	Heavy gauge dichromated steel. Featuring a solid rosette, both interior and exterior for extra security.
Cylinder	SC4 6-pins standard. KW1 5-pins optional.
Latch	1/2" throw stainless steel latch bolt. Square corner faceplate standard, round corner available. 2-3/4" backset: 1-1/8" x 2-1/4" faceplate. Optional for 1" width. 2-3/8" backset: 1" x 2-1/4" faceplate. Floating latch design fits both flat or beveled doors 1/8" in 2".
Strike	ASA Strike standard (9109). Backset: 2-3/4" stanard, optional for 2-3/8", 3-3/4" & 5".
Handing	Universal, non-handing.
Screws	Combination screws for both metal and wood doors.
Keys	2 brass keys per set. Key as requested (KA, KD, MCK, MK, GMK).
IC Core	HC series, e.g. 500HC for Entrance. SFIC compatible with BEST profile 6-pins and 7-pins.

## Removable Through Bolt

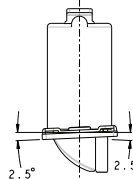


\* Note: Install w/o thru-bolts void  
ANSI Grade 2, and warranty.

## Adjustable Door Fitting

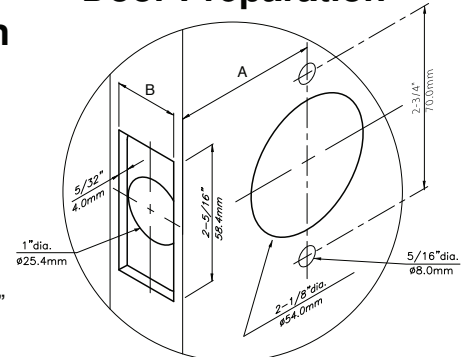


## Floating Latch Design



Adjustable for flat or  
beveled doors 1/8" in 2"

## Door Preparation



## Latch & Parts



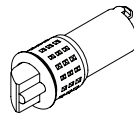
**E9060T**  
Dead Latch for 2-3/8" backset  
**E9070T**  
Dead Latch for 2-3/4" backset



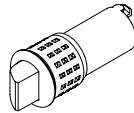
**E9063T (kick-off)**  
Spring Latch for 2-3/8" backset  
**E9073T (kick-off)**  
Spring Latch for 2-3/4" backset



**1180**  
Faceplate Adapter  
Use on 1" width for  
1-1/8" width requirement



**E9060C**  
Drive-in Dead. Latch for 2-3/8" backset  
**E9070C**  
Drive-in Dead. Latch for 2-3/4" backset



**E9063C (kick-off)**  
Drive-in Spring. Latch for 2-3/8" backset  
**E9073C (kick-off)**  
Drive-in Spring. Latch for 2-3/4" backset



**2214**  
5" backset  
extension tube  
(use with 2-3/4" backset latch)



**2138**  
3-3/4" backset  
extension tube  
(use with 2-3/8" backset latch)

Backset	2-3/4"	2-3/8"
A	2-3/4"	2-3/8"
B	1-3/16"	1-1/16"

## Strike



**9109 ASA Strike**  
1-1/4" x 4-7/8",  
5/8" lip

## ES-50

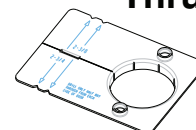
Electric Strike



**9106 T-Strike**  
1-1/8" x 2-3/4"



## Thru-Bolt Jig (Metal)



**9234**  
2-3/8" or 2-3/4" backset  
Vertical CTC 2-3/4"

# EA Series

## CYLINDRICAL KNOBSET

ANSI GRADE 2

LIFETIME Warranty **BHMA CERTIFIED™**

**ANSI GRADE 2**  
ANSI/BHMA A156.2-2011  
Series 4000, Grade 2  
Exceeds 400,000 Cycles

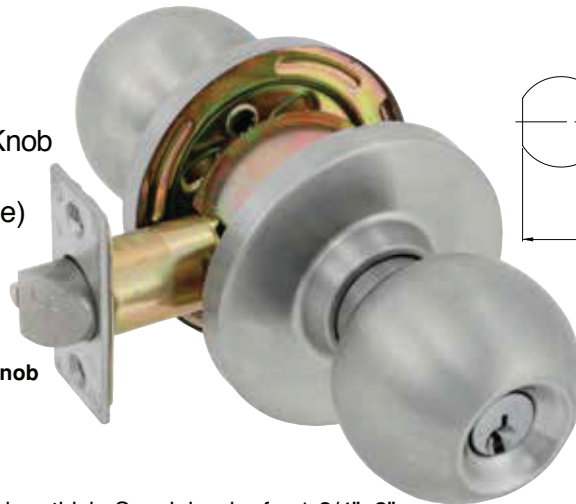


3 Hours Fire Rating  
UL10C/UBC 7-2(1997)  
Positive Pressure Rated

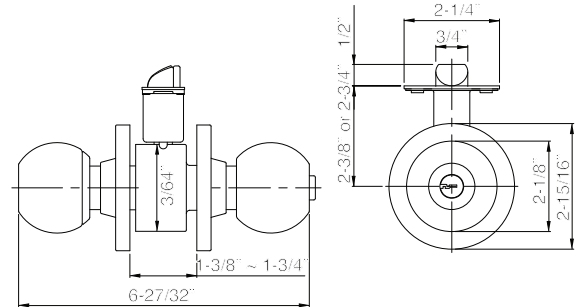
LISTED

### Features

- SC4 6-pin Standard
- Concealed Mounting Screws
- 1 Piece Bulging High Security Knob
- Fast and Easy Installation
- Panic Proof (inside always free)



100EA-BA  
Bala (BA) Knob



100EI-BA  
Bala (BA) Knob  
with IC Core

### Specifications

Door Fitting	1-3/8" ~ 1-3/4" door thick. Special order for 1-3/4"~2".
Exposed Trim	Wrought brass or stainless steel.
Lock Chassis	Heavy gauge dichromated steel.
Cylinder	Solid brass SC4 6-pins standard. KW1 5-pins optional.
Latch	1/2" throw stainless steel latch bolt. Square corner faceplate standard, round corner available. 2-3/4" backset: 1" x 2-1/4" faceplate mortise latch with faceplate adapter. 2-3/8" backset: 1" x 2-1/4" faceplate mortise latch. Floating latch design fits both flat or beveled doors 1/8" in 2".
Strike	T-Strike standard (9106). ASA Strike optional (9109). Backset: 2-3/4" standard, optional for 2-3/8", 3-3/4" & 5".
Screws	Combination screws for both metal and wood doors.
Keys	2 brass keys per set. Key as requested (KA, KD, MCK, MK, GMK).
IC Core	Model: 100EI-BA. SFIC compatible with BEST profile 6-pins and 7-pins.



### Latch & Parts



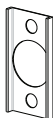
**E9060T**  
Dead Latch  
for 2-3/8" backset



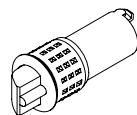
**E9070T**  
Dead Latch  
for 2-3/4" backset

**E9063T (kick-off)**  
Spring Latch  
for 2-3/8" backset

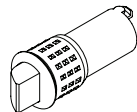
**E9073T (kick-off)**  
Spring Latch  
for 2-3/4" backset



**1180**  
Faceplate Adapter  
Use on 1" width for  
1-1/8" width requirement



**E9060C**  
Drive-in Dead Latch  
for 2-3/8" backset



**E9070C**  
Drive-in Dead Latch  
for 2-3/4" backset

**E9063C (kick-off)**  
Drive-in Spring Latch  
for 2-3/8" backset

**E9073C (kick-off)**  
Drive-in Spring Latch  
for 2-3/4" backset



**2214**  
5" backset  
extension tube  
(use with 2-3/4" backset latch)

**2138**  
3-3/4" backset  
extension tube  
(use with 2-3/8" backset latch)

### Strike



**9109 ASA Strike**  
1-1/4" x 4-7/8",  
5/8" lip



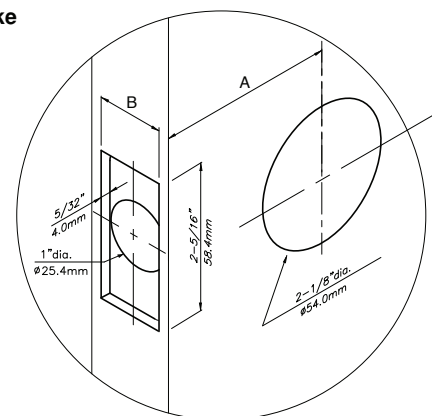
**9106 T-Strike**  
1-1/8" x 2-3/4"



**ES-50**  
Electric Strike



### Door Preparation



Backset	2-3/4"	2-3/8"
A	2-3/4"	2-3/8"
B	1-3/16"	1-1/16"



# RH Series TUBULAR LEVERSET

## ANSI GRADE 2

LIFETIME Warranty



**ANSI GRADE 2**  
ANSI/BHMA A156.2-2003  
Series 4000, Grade 2  
Exceeds 400,000 Cycles



3 Hours Fire Rating  
UL10C/UBC 7-2(1997)  
Positive Pressure Rated



ADA Compliant  
ANSI A117.1  
Barrier Free  
Accessibility

**CALIFORNIA STATE  
REFERENCE CODE**

Formerly Title 19,  
California State Fire Marshal (CSFM)  
levers return to within 1/2" of door face  
(CT & SD Lever Only)

### Features

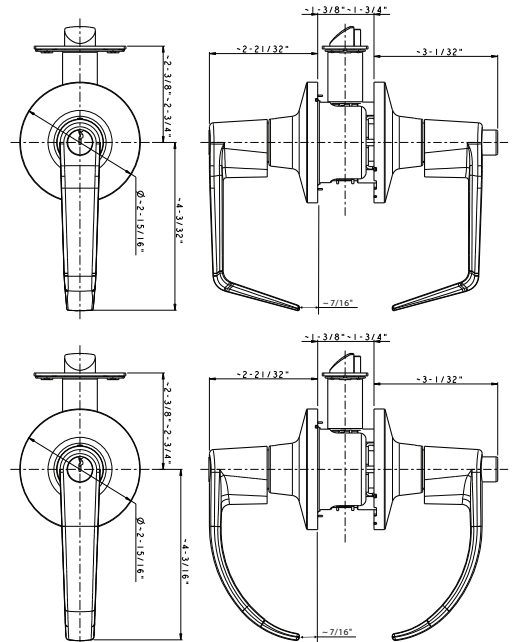
- SC4 6-pin Standard
- Concealed Mounting Screws
- Reinforcing Barrel
- Fast and Easy Installation
- Panic Proof (inside always free)
- Push Button for Entrance and Privacy Function



500RH-CT  
Charlotte (CT) Lever



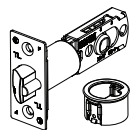
500RH-SD  
San Diego (SD) Lever



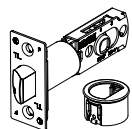
### Specifications

Door Fitting	1-3/8" ~ 1-3/4" door thick. 2" available.
Lock Chassis	Heavy gauge dichromated steel. Zinc dichromated for corrosion resistance.
Exposed Trim	Wrought brass or stainless steel. Pressure cast zinc lever.
Cylinder	Solid brass SC4 6-pins standard. KW1 5-pins optional.
Latch	1/2" throw stainless steel latch bolt. 2-3/4" and 2-3/8" adjustable backset. 1" width square corner faceplate.
Strike	T-Strike standard (9106). ASA Strike optional (9109).
Handing	Universal, non-handing.
Screws	Combination screws for both metal and wood doors.
Keys	2 brass keys per set. Key as requested (KA, KD, MCK, MK, GMK).

### Latch & Parts



**T90A0T**  
Dead Latch Adjustable  
for 2-3/8" or 2-3/4" backset  
**D90A0**  
Dead latch drive in cap



**T90A3T**  
Spring Latch Adjustable  
for 2-3/8" or 2-3/4" backset  
**D90A3**  
Spring latch drive in cap



**1180**  
Faceplate Adapter  
Use on 1" width for  
1-1/8" width requirement

### Strike



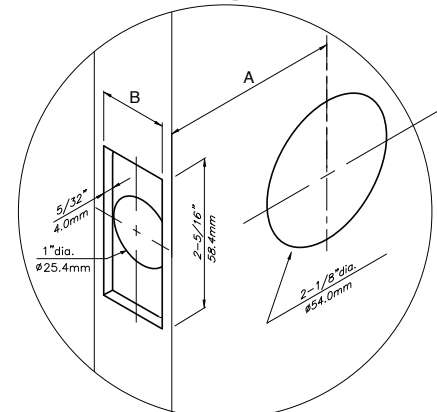
**9109 ASA Strike**  
1-1/4" x 4-7/8",  
5/8" lip

**9106 T-Strike**  
1-1/8" x 2-3/4"

**ES-50**  
Electric Strike



### Door Preparation



Backset	2-3/4"	2-3/8"
A	2-3/4"	2-3/8"
B	1-1/16"	1-1/16"

\* Use faceplate adapter (1180) when "B" size is 1-3/16"

# LM Series DEADBOLT

ANSI GRADE 1

LIFETIME Warranty

**ANSI GRADE 1**  
ANSI/BHMA A156.36 - 2010  
Exceeds 250,000 Cycles



LISTED

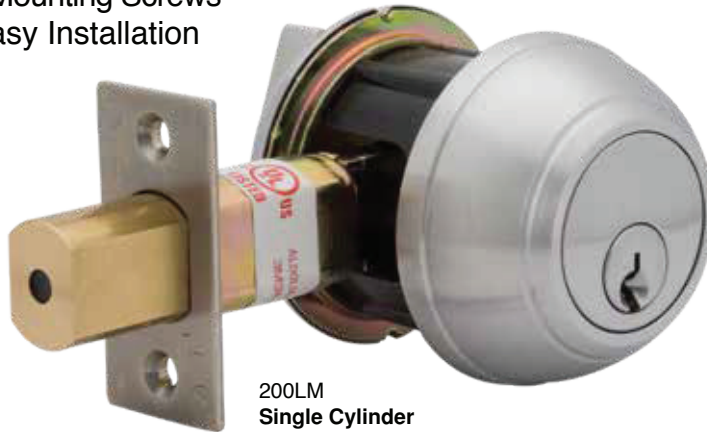
3 Hours Fire Rating  
UL10C/UBC 7-2(1997)  
Positive Pressure Rated



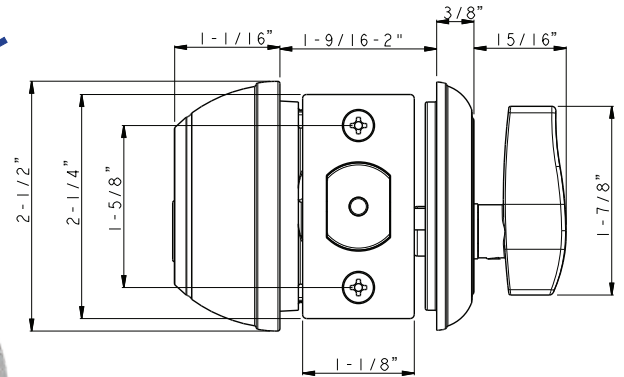
ADA Thumbturn

## Features

SC4 6-pin Standard  
Concealed Mounting Screws  
Fast and Easy Installation



200LM  
Single Cylinder



210LM  
Double Cylinder

## Specifications

Door Fitting	1-9/16" ~ 2" door thick. 2-1/4" available.
Exposed Trim	Solid forged brass.
Keys	2 brass keys per set. Key as requested (KA, KD, MCK, MK, GMK).
Cylinder	Solid brass SC4 6-pins standard with black powder metallurgy cylinder housing.
Latch	1" throw solid brass deadbolt latch with hardened steel rod insert. 2-3/4" backset: 1-1/8" x 2-1/4" faceplate mortise deadbolt latch (L9070TA). 2-3/8" backset: 1" x 2-1/4" faceplate mortise deadbolt latch (L9060TA).
Strike	Standard deadbolt strike (9121), and 1/8" wood frame reinforcer package (9221). ASA Deadbolt Strike optional (9109D).
Screws	Combination screws for both metal and wood doors.
Lock Chassis	Heavy gauge dichromated steel. Featuring a zinc security installation shield.
IC Core	SFIC compatible with BEST profile 6-pins and 7-pins. FSIC Schlage Profile IC Core.



200LM-IC



BEST IC



Schlage IC

## Latch & Parts



**L9060TA**  
Deadbolt Latch  
for 2-3/8" backset



**L9070TA**  
Deadbolt Latch  
for 2-3/4" backset



**1180**  
Faceplate Adapter  
Use on 1" width for  
1-1/8" width requirement

## Strike



**9109D ASA Deadbolt Strike**  
1-1/4" x 4-7/8"



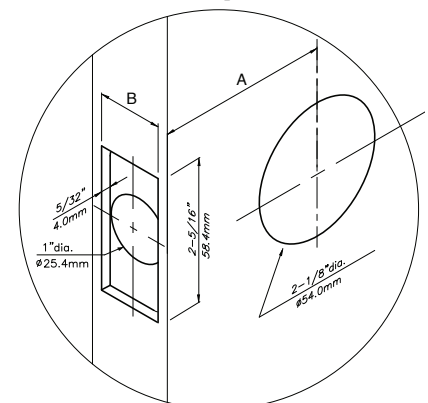
**9121 Deadbolt Strike**  
1-1/8" x 2-3/4"



**9221 Wood Frame Reinforcer Package**

- 1/8" thick wood frame reinforcer x 1
- 3" wood screws x 2
- strike box x 1

## Door Preparation



Backset	2-3/4"	2-3/8"
A	2-3/4"	2-3/8"
B	1-3/16"	1-1/16"

# LU Series DEADBOLT

ANSI GRADE 2

LIFETIME Warranty

**ANSI GRADE 2**  
ANSI/BHMA A156.5-2001  
Exceeds 150,000 Cycles



LISTED

3 Hours Fire Rating  
UL10C/UBC 7-2(1997)  
Positive Pressure Rated



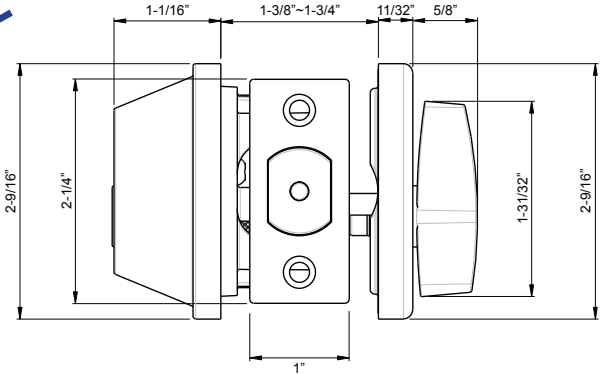
ADA Thumbturn

## Features

SC4 6-pin Standard  
Fast and Easy Installation



200LU  
Single Cylinder



200LU-IC



220LU

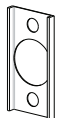
## Specifications

Door Fitting	1-3/8" ~ 1-3/4" door thick. 2" ~ 2-1/4" available.
Exposed Trim	Wrought brass or stainless steel.
Keys	2 brass keys per set. Key as requested (KA, KD, MCK, MK, GMK).
Cylinder	Solid brass SC4 6-pins standard with black powder metallurgy cylinder housing.
Latch	1" throw solid brass deadbolt latch with hardened steel rod insert. 1" x 2-1/4" faceplate adjustable mortise deadbolt latch (L90A0T) with faceplate adapter.
Strike	Standard deadbolt strike (9121), and 1/8" wood frame reinforcer package (9221). ASA Deadbolt Strike optional (9109D).
Screws	Combination screws for both metal and wood doors.
IC Core	Model: 200LU-IC. Door fitting: 1-5/8" ~ 2". SFIC compatible with BEST profile 6-pins and 7-pins.
Indicator	Model: 220LU

## Latch & Parts



**L90A0T**  
Adjustable UL Deadbolt Latch  
for 2-3/8" and 2-3/4" backset



**1180**  
Faceplate Adapter  
Use on 1" width for  
1-1/8" width requirement

## Strike



**9109D ASA Deadbolt Strike**  
1-1/4" x 4-7/8"



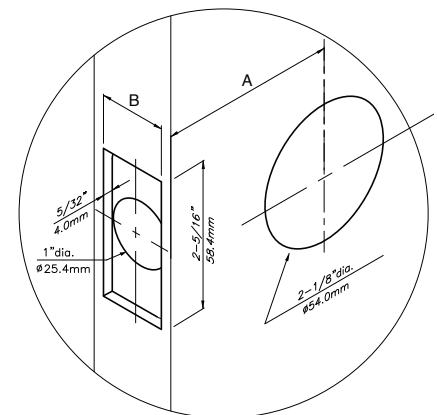
**9121 Deadbolt Strike**  
1-1/8" x 2-3/4"



**9221 Wood Frame Reinforcer Package**

- 1/8" thick wood frame reinforcer x 1
- 3" wood screws x 2
- strike box x 1

## Door Preparation



Backset	2-3/4"	2-3/8"
A	2-3/4"	2-3/8"
B	1-3/16"	1-1/16"

# IL Series

## INTERCONNECTED LEVERSET

### ANSI GRADE 2

### LIFETIME Warranty

**ANSI GRADE 2**  
ANSI/BHMA A156.12-2005  
Series 5000, Grade 2  
Exceeds 400,000 Cycles



LISTED

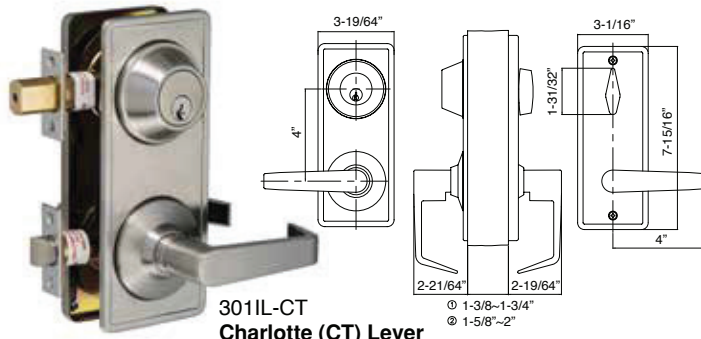
3 Hours Fire Rating  
UL10C/UBC 7-2(1997)  
Positive Pressure Rated



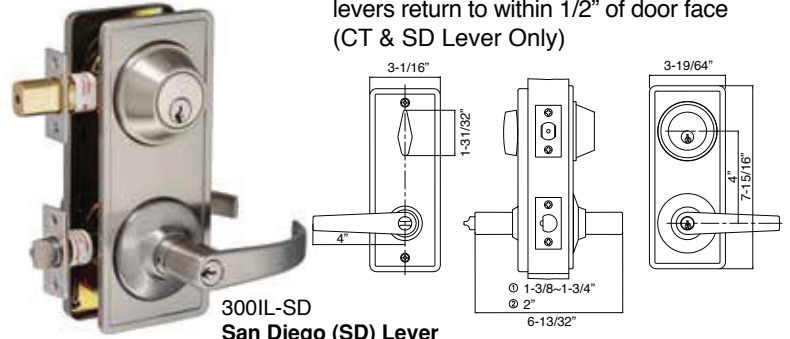
ADA Compliant  
ANSI A117.1  
Barrier Free  
Accessibility

**CALIFORNIA STATE  
REFERENCE CODE**

Formerly Title 19,  
California State Fire Marshal (CSFM)  
levers return to within 1/2" of door face  
(CT & SD Lever Only)



301IL-CT  
Charlotte (CT) Lever



300IL-SD  
San Diego (SD) Lever

### Specifications

Door Fitting	1-3/8" ~ 1-3/4" door thick. 2" available. 4" center of deadbolt to center of lock chassis.
Exposed Trim	Wrought brass or stainless steel. Pressure cast zinc lever.
Lock Chassis	Heavy gauge dichromated steel with black powder metallurgy cylinder housing.
Cylinder	Solid brass SC4 6-pins standard. KW1 5-pins optional.
Latch	Deadbolt: 1" throw with hardened steel rod insert (L90A0T). 2-3/8" or 2-3/4" adjustable. Latch Bolt: 1/2" throw stainless steel latch bolt. 2-3/4" backset-1" x 2-1/4" faceplate mortise latch with faceplate adapter. 2-3/8" backset-1" x 2-1/4" faceplate mortise latch.
Strike	Deadbolt: Standard deadbolt strike (9111), and 1/8" wood frame reinforcer package (9221). Latch Bolt: T-Strike standard (9106).
Handing	Universal, non-handing.
Screws	Combination screws for both metal and wood doors.
Keys	2 brass keys per set. Key as requested (KA, KD, MCK, MK, GMK).
IC Core	Model: 301IL-IC. Door fitting: 1-5/8" ~ 2". SFIC compatible with BEST profile 6-pins and 7-pins.
Indicator	Model: 321IL Indicator with Passage Lever. Model: 320IL Indicator with Entrance Lever.



**301IL F95**  
Entrance Single Locking



**300IL F97**  
Entrance Double Locking



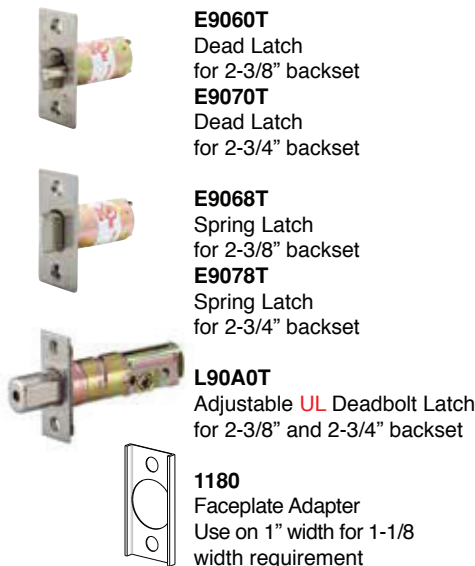
**304IL F98**  
Storeroom Double Locking



**321IL Indicator**  
Entrance Single Locking



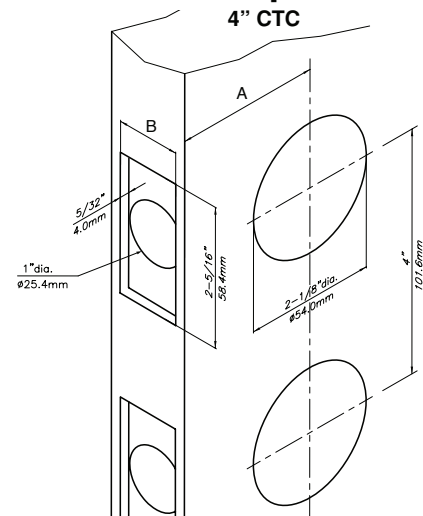
### Latch & Parts



### Strike



### Door Preparation



Backset	2-3/4"	2-3/8"
A	2-3/4"	2-3/8"
B	1-3/16"	1-1/16"

# CYLINDER, HOUSING & IC CORES

## Mortise Cylinder & IC Cylinder Housing



Standard  
for KW1/SC5/SC6



BEST SFIC  
Mortise Housing  
for 6 & 7pins



Schlage LFIC  
Mortise Housing

## Rim Cylinder & IC Rim Housing



Standard  
for KW1/SC5/SC6

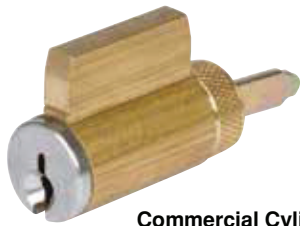


BEST SFIC  
Rim Housing  
for 6 & 7pins



Schlage LFIC  
Rim Housing

## Cylinder & IC Cores



Commercial Cylinder  
Lever/Knob/Deadbolt  
Schlage C & E Keyway

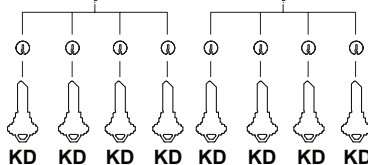
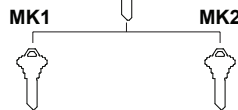
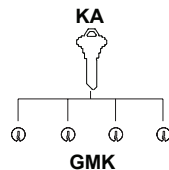
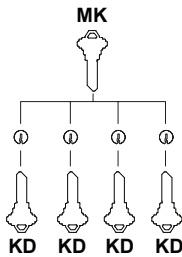
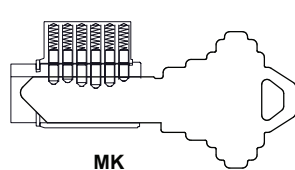
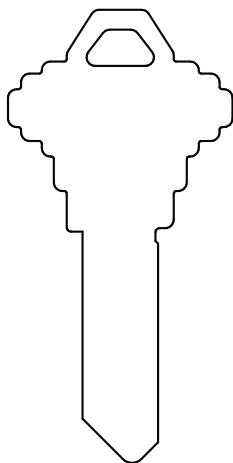


BEST A Keyway  
6pins or 7pins



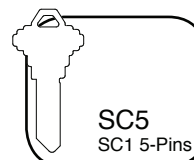
Schlage C & E Keyway  
6pins

## Keying System

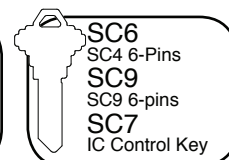


Comply with ANSI A156.28 for Keying Systems.

## Keys & Keying Kits



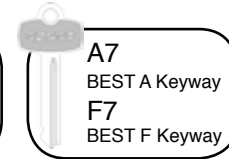
SC5  
SC1 5-Pins



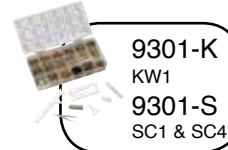
SC6  
SC4 6-Pins  
SC9  
SC9 6-pins  
SC7  
IC Control Key



TE5  
KW1 5-Pins



A7  
BEST A Keyway  
F7  
BEST F Keyway



9301-K  
KW1  
9301-S  
SC1 & SC4

# Functions

## LEVER, KNOB AND DEADBOLT



### 500/100 ENTRANCE (ANSI F109)

Pushing turn-button in inside lever locks outside lever. Turning inside lever or operating key in outside lever release button automatically. Closing door does not release button. Button is fixed in locked position by turning to horizontal position.



### 501/101 PASSAGE (ANSI F75)

Latch Bolt operated by lever or knob from either side at all times.



### 502/102 PRIVACY (ANSI F76)

Latch bolt operated by lever from either side. Outside lever is locked by push button inside and unlocked by emergency release outside, rotating inside lever, or closing door.



### 504/104 STOREROOM (ANSI F86)

Deadlocking latch bolt operated by key in outside lever or rotating inside lever. Outside lever is always locked.



### 506/106 PATIO (ANSI F77)

Operated by either side lever unless outside locked by push button inside. Unlocks by turning inside lever or closing door.



### 507/107 COMMUNICATING PASSAGE (ANSI F111)

Blank plate outside. Inside lever always unlocked.



### 508/108 STORE DOOR (ANSI F91)

Deadlocking latch operated by either lever. Key either locks or unlocks both levers.



### 509/109 CLASSROOM (ANSI F84)

Deadlocking latch bolt operated by key in outside lever or rotating inside lever. Outside lever locked or unlocked by key. Inside lever is always unlocked.



### 511/111 COMMUNICATING KEYED (ANSI F113)

Locked or unlocked by key from inside, blank trim outside. Dead locking latch bolt.



### 512 COMMUNICATING (ANSI F80)

Key locks or unlocks either lever independently of the other.



### 514/114 INSTITUTION (ANSI F87)

Both inside and outside lever always locked. Dead locking latch bolt operated by key on either side.



### 515/115 SINGLE DUMMY

Decorative trim that is non-functional.



### 517/117 ENTRANCE/OFFICE (ANSI F82)

Pushing button in inside lever locks outside lever. Turning inside lever or operating key in outside lever release button automatically. Closing door does not release button.



### 519 INTRUDER CLASSROOM (ANSI F110)

Both sides lock or unlock outside lever with key. Inside lever always unlocked.



### 521 CORRIDOR (ANSI F90)

Operated by either side lever unless outside locked by key or inside push button. Unlocked by key, turning inside lever, or closing door.



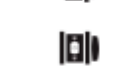
### 525 DOUBLE DUMMY

Decorative trim for both side of the door.



### 200 SINGLE CYLINDER (ANSI E0151, E0152)

Dead bolt operated by key from outside and by turn from inside.



### 205 ONE-SIDED HALF BORE (ANSI E0191, E0192)

Dead bolt operated by turn from inside. No trim on other side.



### 206 ONE-SIDED FULL BORE (ANSI E01111, E01112)

Dead bolt operated by key from one side. Mounting plate on other side.



### 210 DOUBLE CYLINDER (ANSI E0141, E0142)

Dead bolt operated by key from either side.





### 230 CLASSROOM DEADBOLT (ANSI E0171, E0172)

Deadbolt operated by key from outside. Turn knob retracts deadbolt but does not project it.

FUNCTIONS	ANSI	LEVER CODE	FC	FK	EV	HV	RH	IL	KNOB CODE	EA	EI	
Entrance	F109	500	●	●	●	●	● F82		100	●	●	
Passage	F75	501	●		●	●	●		101	●		
Privacy	F76	502	●		●	●	●		102	●		
Storeroom	F86	504	●	●	●	●	●		104	●	●	
Patio	F77	506	●						106	●		
Communicating Passage	F111	507	●		●	●	●		107	●		
Double Cylinder (Store Door)	F91	508	●	●	●	●	●		108	●		
Classroom	F84	509	●	●	●	●	●		109	●	●	
Communicating Keyed	F113	511	●	●	●	●	●		111	●	●	
Communicating	F80	512	●	●	●	●						
Institution (Double Storeroom)	F87	514	●	●	●	●			114	●		
Single Dummy		515	●		●	●	●		115	●		
Entrance/Office	F82	517	●	●	●	●	●		117	●	●	
Intruder Classroom	F110	519	●	●	●	●	●					
Corridor	F90	521	●	●	●	●						
Double Dummy (BTB Dummy)		525			●	●			125	●		
Entrance - Double Locking	F97	300						●				
Entrance - Single Locking	F95	301						● ●				
Storeroom - Double Locking	F98	304						●				
FUNCTIONS (Grade 1)	ANSI	CODE	LM	LM-IC	FUNCTIONS (Grade 2)				ANSI	CODE	LU	LU-IC
Single Cylinder Deadbolt	E0151	200	●	●	Single Cylinder Deadbolt	E0152	200	●	●			
Double Cylinder Deadbolt	E0141	210	●	●	Double Cylinder Deadbolt	E0142	210	●	●			
Classroom Deadbolt	E0171	230	●	●	Indicator Deadbolt		220	●				
One Way Deadbolt	E0161	240	●	●	Classroom Deadbolt	E0172	230	●	●			
One Sided - Half Bore	E0191	205	●	●	One Way Deadbolt	E0162	240	●				
					One Sided - Half Bore	E0192	205	●				
					One Sided - Full Bore	E01112	206	●				

● Products available in stock. Please see order information for details. ● Products available upon request. Please allow longer lead-time.

# Order Information

SERIES	ITEM	IC CORE MODEL	FUNCTION	FINISH BHMA	US3 (605)	US26 (625)	US26D (626)	US10B (613)	US32D (630)
<b>Grade 1 FC</b> Charlotte (CT) San Diego (SD) Madison (MD) 	500FC	500FK	Entrance				●	●	
	501FC		Passage				●	●	
	502FC		Privacy				●	●	
	504FC	504FK	Storeroom				●	●	
	507FC		Communicating Passage				●	●	
	509FC	509FK	Classroom				●	●	
	515FC		Dummy				●	●	
	519FC	519FK	Intruder Classroom				●	●	
521FC	521FK	Corridor				●	●		
<b>Grade 2 EV</b> Charlotte (CT) San Diego (SD) Madison (MD) *US3, US26 is available in CT lever only 	500EV	500EC	Entrance		●	●	●	●	
	501EV		Passage		●	●	●	●	
	502EV		Privacy		●	●	●	●	
	504EV	504EC	Storeroom		●	●	●	●	
	507EV		Communicating Passage				●	●	
	508EV		Store Door				●	●	
	509EV	509EC	Classroom		●	●	●	●	
	514EV		Institution				●	●	
	515EV		Dummy		●	●	●	●	
	517EV		Office				●	●	
521EV	521EC	Corridor				●	●		
525EV		Double Dummy				●	●		
<b>Grade 2 HV</b> Charlotte (CT) San Diego (SD) Madison (MD)	500HV	500HC	Entrance				●	●	
	501HV		Passage				●	●	
	502HV		Privacy				●	●	
	504HV	504HC	Storeroom				●	●	
	507HV		Communicating Passage				●	●	
	509HV	509HC	Classroom				●	●	
	515HV		Dummy				●	●	
	517HV	517HC	Office				●	●	
525HV		Double Dummy				●	●		
<b>Grade 2 RH</b> Charlotte (CT) San Diego (SD)	500RH		Entrance				●	●	
	501RH		Passage				●	●	
	502RH		Privacy				●	●	
	504RH		Storeroom				●	●	
	509RH		Classroom				●	●	
515RH		Dummy				●	●		
<b>Grade 2 EA</b> Bala (BA)	100EA		Entrance		●			●	●
	101EA	100EI	Entrance IC					●	●
	102EA		Passage		●			●	●
	104EA		Privacy		●			●	●
			Storeroom		●			●	●
	108EA	104EI	Storeroom IC					●	●
115EA		Store Door		●			●	●	
		Dummy		●			●	●	
<b>Grade 2 IL</b>	300IL		Double Locking				●	●	
	301IL	301IL-IC	Single Locking		●		●	●	
	321IL		Indicator Passage				●	●	
	320IL		Indicator Entrance				●	●	
<b>Grade 1 Commercial Deadbolt</b>	200LM	200LM-IC	Single Cylinder				●	●	
	210LM	210LM-IC	Double Cylinder				●	●	
	230LM	230LM-IC	Classroom				●	●	
<b>Grade 2 Commercial Deadbolt</b>	200LU		Single Cylinder		●	●	●	●	●
	206LU	200LU-IC	Single Cylinder-IC				●	●	●
	210LU		One-Sided (Full Bore)				●	●	●
	220LU		Double Cylinder		●	●	●	●	●
	230LU		Indicator				●	●	●
			Classroom		●	●	●	●	●
240LU	230LU-IC	Classroom-IC				●	●	●	

● Product finishes available in stock. (Other finishes available upon request. Please allow longer lead time.)



**Barn Door Hardware • Builders Hardware • Commercial Hardware • Hinges  
Jambs • Locksets • Pocket Door Frames • PVC Products • Transoms**

7 Mary Way • Hainesport, NJ 08036  
Tel: 1-609-261-2200 • Fax: 1-609-261-2233  
liberty@libertybp.net • www.libertybp.net

