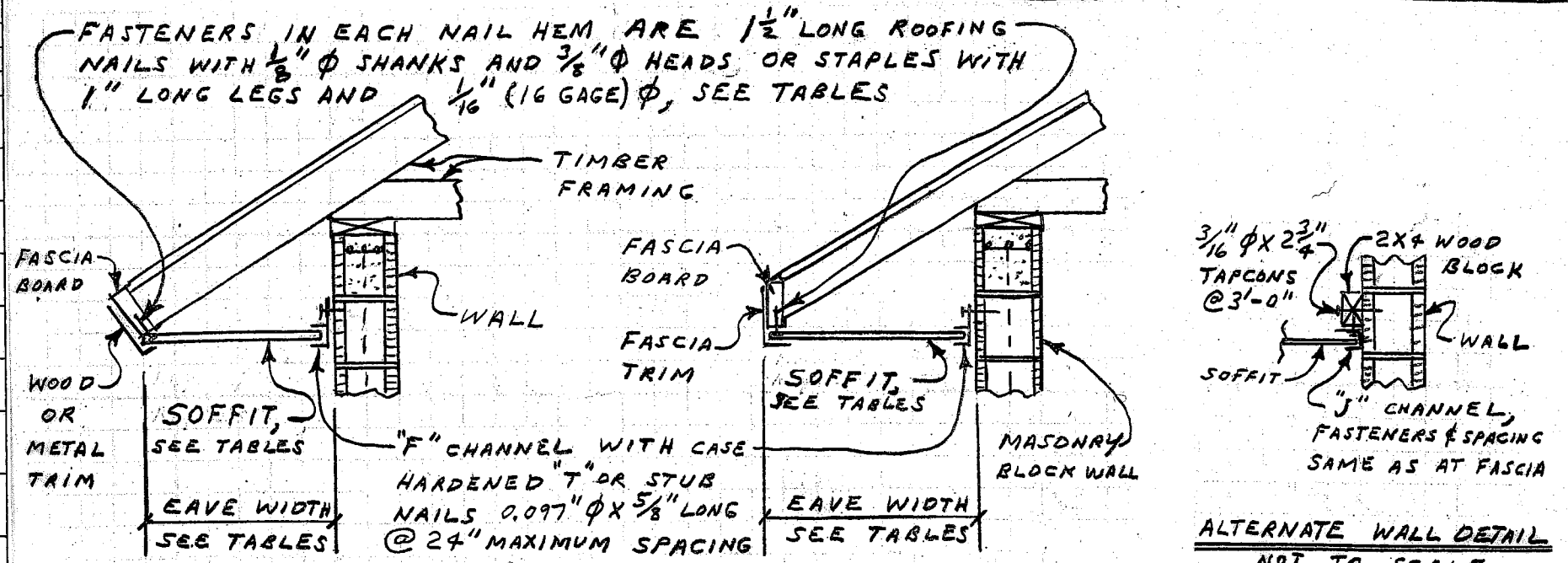


ALLOWABLE DESIGN WIND PRESSURES IN PSF

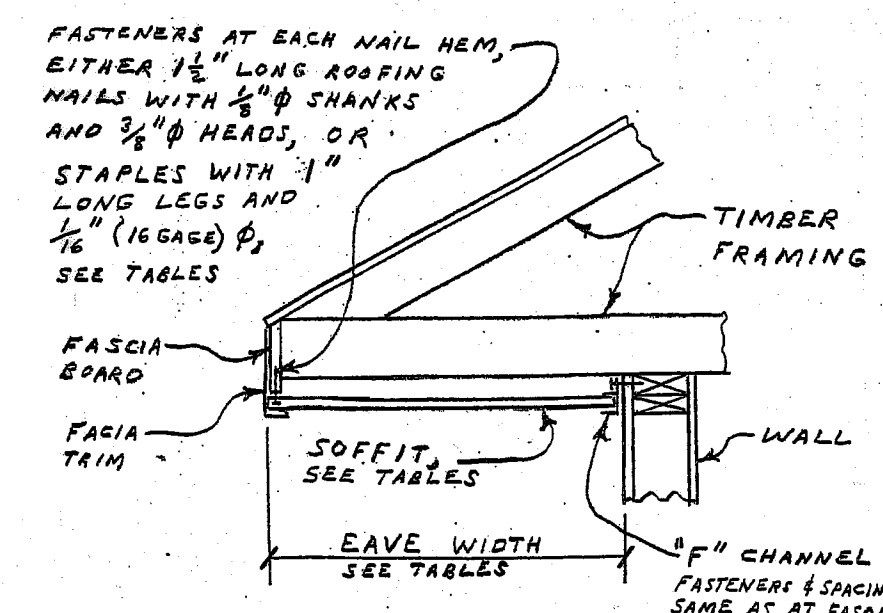
SHORT SPAN TABLE

MASTIC SOFFIT TYPE	EAVE WIDTH IN INCHES		
	10"	12"	16"
ENVOY (ALUMINUM) 12", NAILS SVG12N20, SVG12V20	+169.1 -169.1	+135.3 -135.3	+96.6 -96.6
ENVOY (ALUMINUM) 12", STAPLES SVG12N20, SVG12V20	+169.1 -177.0	+135.3 -141.6	+96.6 -101.1
ENVOY (ALUMINUM) 6", NAILS SVG6N, SVG6V	+338.2 -338.2	+270.6 -270.6	+193.3 -193.3
ENVOY (ALUMINUM) 6", STAPLES SVG6N, SVG6V	+338.2 -354.0	+270.6 -283.2	+193.3 -202.3
ENDURANCE (ALUMINUM) 12", NAILS SVGN420144, SVGV420144	+142.4 -142.4	+113.9 -113.9	+81.4 -81.4
ENDURANCE (ALUMINUM) 12", STAPLES SVGN420144, SVGV420144	+142.4 -177.0	+113.9 -141.6	+81.4 -101.1
ENVOY (ALUMINUM) 12", NAILS SAS12219, LFAS12219, SAS12319, LCAS12319, LFAS12319, SAX12219T, LFAX12219T	+169.1 -169.1	+135.3 -135.3	+96.6 -96.6
ENVOY (ALUMINUM) 12", STAPLES SAS12219, LFAS12219, SAS12319, LCAS12319, LFAS12319, SAX12219T, LFAX12219T	+169.1 -177.0	+135.3 -141.6	+96.6 -101.1
ENVOY QUAD (ALUMINUM) 16", NAILS SAS16419, LCAS16419,	+126.8 -126.8	+101.5 -101.5	+72.5 -72.5
ENVOY QUAD (ALUMINUM) 16", STAPLES SAS16419, LCAS16419,	+126.8 -132.8	+101.5 -106.2	+72.5 -75.9
ENDURANCE (ALUMINUM) 12", NAILS SAS12216, LFAS12216, SAS12316, LCAS12316, LFAS12316	+142.4 -142.4	+113.9 -113.9	+81.4 -81.4
ENDURANCE (ALUMINUM) 12", STAPLES SAS12216, LFAS12216, SAS12316, LCAS12316, LFAS12316	+142.4 -177.0	+113.9 -141.6	+81.4 -101.1
ECONOMY (ALUMINUM) SOFFIT 12", NAILS SAS12313, LFAS12313, LCAS12313	+115.7 -115.7	+92.6 -92.6	+66.1 -66.1
ECONOMY (ALUMINUM) SOFFIT 12", STAPLES SAS12313, LFAS12313, LCAS12313	+115.7 -177.0	+92.6 -141.6	+66.1 -101.1
VENTURA™ (VINYL) 10", NAILS HVS10V, HVS10N	+227.3 -80.1	+181.8 -64.1	+129.9 -45.8
VENTURA™ (VINYL) 10", STAPLES HVS10V, HVS10N	+227.3 -95.4	+181.8 -76.3	+129.9 -54.5
PRO-SERIES BEADED (VINYL) 8", NAILS PBS80N, PBS80V	+206.6 -91.0	+165.3 -72.8	+118.1 -52.0
PRO-SERIES BEADED (VINYL) 8", STAPLES PBS80N, PBS80V	+206.6 -108.4	+165.3 -86.8	+118.1 -62.0
PRO-SERIES (VINYL) 10", NAILS PSS10N, PSS10V	+237.6 -83.7	+190.1 -67.0	+135.8 -47.9
PRO-SERIES (VINYL) 10", STAPLES PSS10N, PSS10V	+237.6 -99.8	+190.1 -79.8	+135.8 -57.0
PRO-SERIES (VINYL) 12", NAILS PTS12N, PTS12V, PTS12CV	+206.6 -60.7	+165.3 -48.5	+118.1 -34.7
PRO-SERIES (VINYL) 12", STAPLES PTS12N, PTS12V, PTS12CV	+206.6 -72.3	+165.3 -57.8	+118.1 -41.3
UNIVERSAL (VINYL) 12", NAILS UVS12N, UVS12P, UVS12CP	+185.9 -54.6	+148.8 -43.7	+106.3 -31.2
UNIVERSAL (VINYL) 12", STAPLES UVS12N, UVS12P, UVS12CP	+185.9 -65.1	+148.8 -52.1	+106.3 -37.2
TRADE MARK (VINYL) 10", NAILS TRMS10N, TRMS10V	+206.6 -72.8	+165.3 -58.3	+118.1 -41.6
TRADE MARK (VINYL) 10", STAPLES TRMS10N, TRMS10V	+206.6 -86.8	+165.3 -69.4	+118.1 -49.6
PROTECT PLUS (VINYL) 10", NAILS PTS10N, PTS10V	+206.6 -72.8	+165.3 -58.3	+118.1 -41.6
PROTECT PLUS (VINYL) 10", STAPLES PTS10N, PTS10V	+206.6 -86.8	+165.3 -69.4	+118.1 -49.6

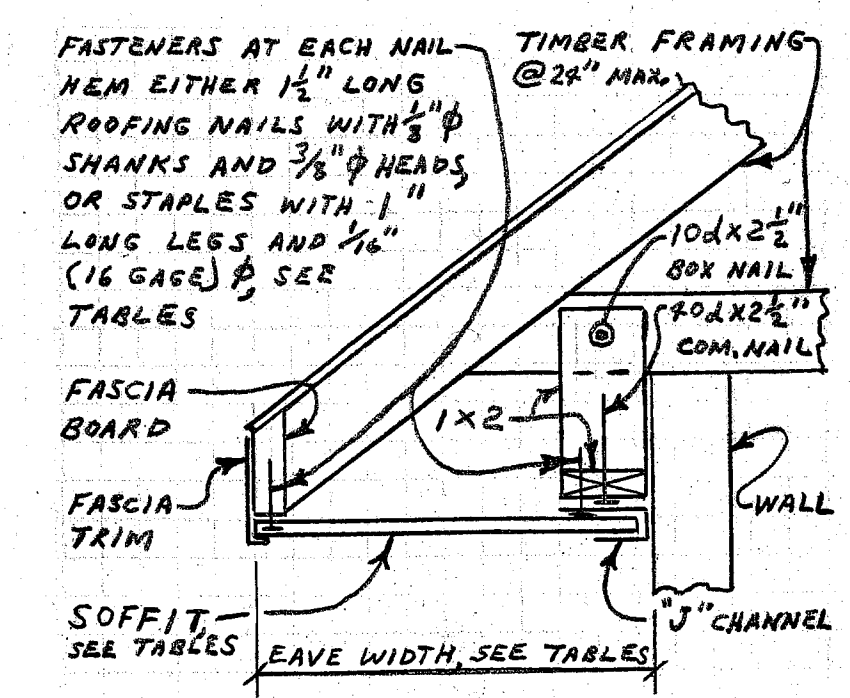
Details that go with this table appear on Sheet 1 of 2



SOFFITS WITH MASONRY BLOCK WALLS NOT TO SCALE



SOFFIT WITH WOOD FRAMED WALL NOT TO SCALE

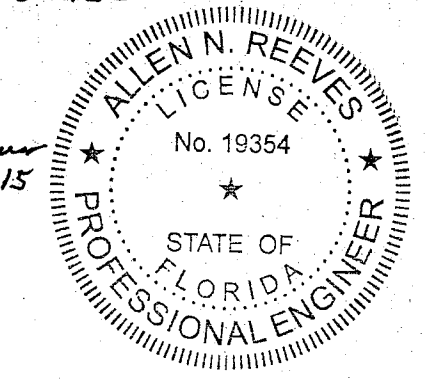


SOFFIT INTO ROOF FRAMING NOT TO SCALE

Allen N. Reeves, P.E. Structural Engineer Florida License #19354

HR Engineering, Inc. REV. 18 MARCH 2015 DATE: 16 NOV. 2012 PROJECT NO. 15030001 1100020-7 SHEET 1 OF 3

CLIENT: PLYGEM/MASTIC BY: A. REEVES PROJECT NAME: MASTIC SOFFITS - FLORIDA



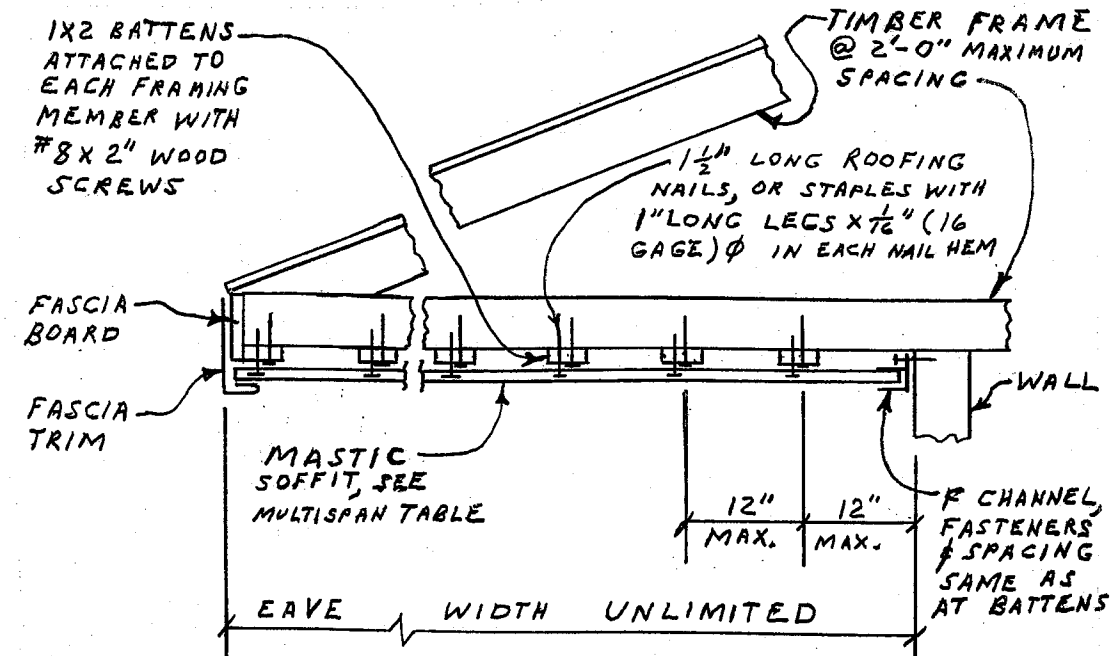
Allen N. Reeves
30 MARCH 2015

ALLOWABLE DESIGN WIND PRESSURES IN PSF					
LONG SPAN TABLE					
MASTIC SOFFIT TYPE	EAVE WIDTH IN INCHES				
	12"	15"	18"	21"	24"
ENVOY (ALUMINUM) 12", NAILS SVG12N20, SVG12V20	+288.0	+170.4	+112.5	+79.8	+59.5
ENVOY (ALUMINUM) 12", STAPLES SVG12N20, SVG12V20	-275.3	-162.9	-107.6	-76.3	-56.9
ENVOY (ALUMINUM) 6", NAILS SVG6N, SVG6V	+576.0	+340.8	+225.0	+159.6	+119.0
ENVOY (ALUMINUM) 6", STAPLES SVG6N, SVG6V	-550.7	-325.8	-215.1	-152.5	-113.8
ENDURANCE (ALUMINUM) 12", NAILS SVGN420144, SVGV420144	+242.5	+143.5	+94.7	+67.2	+50.1
ENDURANCE (ALUMINUM) 12", STAPLES SVGN420144, SVGV420144	-231.9	-137.2	-90.6	-64.2	-47.9
ENVOY (ALUMINUM) 12", NAILS SAS12219, LFA12219, SAS12319, LCAS12319, LFA12319, SAX12219T, LFA12219T	+288.0	+170.4	+112.5	+79.8	+59.5
ENVOY (ALUMINUM) 12", STAPLES SAS12219, LFA12219, SAS12319, LCAS12319, LFA12319, SAX12219T, LFA12219T	-275.3	-162.9	-107.6	-76.3	-56.9
ENVOY QUAD (ALUMINUM) 16", NAILS SAS16419, LCAS16419,	+216.0	+127.8	+84.4	+59.8	+44.6
ENVOY QUAD (ALUMINUM) 16", STAPLES SAS16419, LCAS16419,	-206.5	-122.2	-80.7	-57.2	-42.7
ENDURANCE (ALUMINUM) 12", NAILS SAS12216, LFA12216, SAS12316, LCAS12316, LFA12316	+242.5	+143.5	+94.7	+67.2	+50.1
ENDURANCE (ALUMINUM) 12", STAPLES SAS12216, LFA12216, SAS12316, LCAS12316, LFA12316	-231.9	-137.2	-90.6	-64.2	-47.9
ECONOMY (ALUMINUM) SOFFIT 12", NAILS SAS12313, LFA12313, LCAS12313	+197.1	+116.6	+77.0	+54.6	+40.7
ECONOMY (ALUMINUM) SOFFIT 12", STAPLES SAS12313, LFA12313, LCAS12313	-188.4	-111.5	-73.6	-52.2	-38.9
VENTURA™ (VINYL) 10", NAILS HVS10V, HVS10N	+329.2	+194.8	+128.6	+91.2	+68.0
VENTURA™ (VINYL) 10", STAPLES HVS10V, HVS10N	-73.8	-56.8	-46.1	-38.8	-33.6
PRO-SERIES BEADED (VINYL) 8", NAILS PBS80N, PBS80V	+374.1	+221.4	+146.1	+103.6	+77.3
PRO-SERIES BEADED (VINYL) 8", STAPLES PBS80N, PBS80V	-83.9	-64.5	-52.4	-44.1	-38.1
PRO-SERIES (VINYL) 10", NAILS PSS10N, PSS10V	+374.1	+221.4	+146.1	+103.6	+77.3
PRO-SERIES (VINYL) 10", STAPLES PSS10N, PSS10V	-86.76	-66.7	-54.2	-45.7	-39.4
PRO-SERIES (VINYL) 12", NAILS PTS12N, PTS12V, PTS12CV	+344.2	+203.7	+134.4	+95.3	+71.1
PRO-SERIES (VINYL) 12", STAPLES PTS12N, PTS12V, PTS12CV	-77.2	-59.4	-48.2	-40.6	-35.1
UNIVERSAL (VINYL) 12", NAILS UVS12N, UVS12P, UVS12CP	+344.2	+203.7	+134.4	+95.3	+71.1
UNIVERSAL (VINYL) 12", STAPLES UVS12N, UVS12P, UVS12CP	-79.8	-61.4	-49.9	-42.0	-36.3
TRADE MARK (VINYL) 10", NAILS TRMS10N, TRMS10V	+249.4	+147.6	+97.4	+69.1	+51.5
TRADE MARK (VINYL) 10", STAPLES TRMS10N, TRMS10V	-55.9	-43.0	-35.0	-29.4	-25.4
PROTECT PLUS (VINYL) 10", NAILS PTS10N, PTS10V	+249.4	+147.6	+97.4	+69.1	+51.5
PROTECT PLUS (VINYL) 10", STAPLES PTS10N, PTS10V	-57.8	-44.5	-36.2	-30.4	-26.3
UNIVERSAL (VINYL) 12", NAILS UVS12N, UVS12P, UVS12CP	+224.5	+132.8	+87.7	+62.2	+46.4
UNIVERSAL (VINYL) 12", STAPLES UVS12N, UVS12P, UVS12CP	-50.3	-38.7	-31.5	-26.5	-22.9
TRADE MARK (VINYL) 10", NAILS TRMS10N, TRMS10V	+224.5	+132.8	+87.7	+62.2	+46.4
TRADE MARK (VINYL) 10", STAPLES TRMS10N, TRMS10V	-52.1	-40.0	-32.5	-27.4	-23.7
PROTECT PLUS (VINYL) 10", NAILS PTS10N, PTS10V	+299.3	+177.1	+116.9	+82.9	+61.8
PROTECT PLUS (VINYL) 10", STAPLES PTS10N, PTS10V	-67.1	-51.6	-41.9	-35.3	-30.5
PROTECT PLUS (VINYL) 10", NAILS PTS10N, PTS10V	+299.3	+177.1	+116.9	+82.9	+61.8
PROTECT PLUS (VINYL) 10", STAPLES PTS10N, PTS10V	-69.4	-53.4	-43.4	-36.5	-31.5

Details that go with this table are found on Sheet 1 of 2

ALLOWABLE DESIGN WIND PRESSURES IN PSF	
MULTI SPAN TABLE (EXTERIOR CEILINGS)	
MASTIC SOFFIT TYPE	
Beaded (Vinyl) 8", Nails Solid - PBS80N Vented - PBS80V	+/-55.0
Beaded (Vinyl) 8", Staples Solid - PBS80N Vented - PBS80V	+/-55.0
Pro-Series Double 5 (Vinyl) 10", Nails Solid - PSS10N Vented - PSS10V	+/-50.6
Pro-Series Double 5 (Vinyl) 10", Staples Solid - PSS10N Vented - PSS10V	+/-50.6
Pro-Series Triple 4 (Vinyl) 12", Nails Solid - PTS12N Center Vent-PTS12CV Full Vent - PTS12V	+/-36.7
Pro-Series Triple 4 (Vinyl) 12", Staples Solid - PTS12N Center Vent-PTS12CV Full Vent - PTS12V	+/-36.7
Trade Mark Double 5 (Vinyl) 10", Nails Solid - TRMS10N Vented - TRMS10V	+/-44.0
Trade Mark Double 5 (Vinyl) 10", Staples Solid - TRMS10N Vented - TRMS10V	+/-44.0
Protect Plus Double 5 (Vinyl) 10", Nails Solid - PTS10N Vented - PTS10V	+/-44.0
Protect Plus Double 5 (Vinyl) 10", Staples Solid - PTS10N Vented - PTS10V	+/-44.0
Ventura™ Triple 3 1/3, (Vinyl) 10", Nails Solid - HVS10N Vented - HVS10V	+/-48.4
Ventura™ Triple 3 1/3, (Vinyl) 10", Staples Solid - HVS10N Vented - HVS10V	+/-48.4
Universal Triple 4 (Vinyl) 12", Nails Solid - UVS12N Center Vent-UVS12CP Full Vent - UVS12P	+/-33.0
Universal Triple 4 (Vinyl) 12", Staples Solid - UVS12N Center Vent-UVS12CP Full Vent - UVS12P	+/-33.0

The detail for this table appears on Sheet 2 of 2



SOFFIT FOR WIDE EAVES AND EXTERIOR CEILINGS
NOT TO SCALE

Allen N. Reeves, P.E. Structural Engineer Florida License #19354

HR Engineering, Inc.	REV. 18 MARCH 2015 DATE: 16 NOV. 2012	15030001 PROJECT NO. 11100020-7 SHEET 2 OF 3
CLIENT: PLYGEM/MASTIC	BY: A. REEVES	PROJECT NAME: MASTIC SOFFITS-FLORIDA

GENERAL NOTES

DESIGN PRESSURES LISTED IN TABLES ARE BASED ON COMPARATIVE AND RATIONAL ANALYSES DONE IN HR PROJECT 15030001 AND ARE IN CONFORMANCE WITH THE 2014 FLORIDA BUILDING CODE AND THE 2014 FLORIDA RESIDENTIAL CODE.

THE 2014 FLORIDA BUILDING CODE IN SECTION 1609.1 AND THE 2014 FLORIDA RESIDENTIAL CODE IN SECTION R703.1.3 DIRECTLY MANDATE THAT THE DESIGN WIND PRESSURES ON SOFFITS ARE TO BE THE SAME AS THE ADJOINING WALLS.

WHERE SHORT SPAN AND LONG SPAN TABLES OVERLAP, THE LOWER VALUES GOVERN AND SHOULD BE USED IN INSTALLATION DESIGNS.

LEGEND

Double 6 has "V" grooves every 6" across width, and each panel is 12" wide.

Triple 4 or T4 has "V" grooves every 4" across width, and each panel is 12" wide.

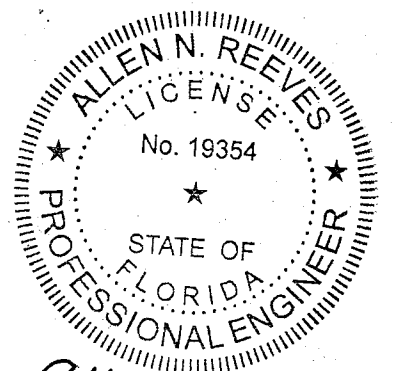
Quad 4 has "V" grooves every 4" across width, and each panel is 16" wide.

Triple 2-2/3 has "V" grooves every 2-2/3" across width, and each panel is 8" wide.

Double 5 has "V" grooves every 5" across width, and each panel is 10" wide.

Single 6 or S6 has "V" grooves every 6" across width, and each panel is 6" wide.

Triple 3-1/3 has "V" grooves every 3-1/3" across width, and each panel is 10" wide.



Allen N. Reeves
30 MARCH 2015

ALLOWABLE DESIGN WIND PRESSURES IN PSF			
SHORT SPAN TABLE			
CELLWOOD SOFFIT TYPE	EAVE WIDTH IN INCHES		
	10"	12"	16"
DOUBLE 6" (ALUMINUM) 12", NAILS AAS12219, AFAS12219	+169.1 -169.1	+135.3 -135.3	+96.6 -96.6
DOUBLE 6" (ALUMINUM) 12", STAPLES AAS12219, AFAS12219	+169.1 -177.0	+135.3 -141.6	+96.6 -101.1
DOUBLE 6" (ALUMINUM) 12", NAILS AAS12216, AFAS12216	+142.4 -142.4	+113.9 -113.9	+81.4 -81.4
DOUBLE 6" (ALUMINUM) 12", STAPLES AAS12216, AFAS12216	+142.4 -177.0	+113.9 -141.6	+81.4 -101.1
TRIPLE 4" (ALUMINUM) 12", NAILS AAS12319, ACAS12319, AFAS12319	+169.1 -169.1	+135.3 -135.3	+96.6 -96.6
TRIPLE 4" (ALUMINUM) 12", STAPLES AAS12319, ACAS12319, AFAS12319	+169.1 -177.0	+135.3 -141.6	+96.6 -101.1
QUAD 4" (ALUMINUM) 16", NAILS AAS16419A, ACAS16419A	+126.8 -126.8	+101.5 -101.5	+72.5 -72.5
QUAD 4" (ALUMINUM) 16", STAPLES AAS16419A, ACAS16419A	+126.8 -132.8	+101.5 -106.2	+72.5 -75.9
TRIPLE 4" (ALUMINUM) 12", NAILS AAS12316, ACAS12316, AFAS12316	+142.4 -142.4	+113.9 -113.9	+81.4 -81.4
TRIPLE 4" (ALUMINUM) 12", STAPLES AAS12316, ACAS12316, AFAS12316	+142.4 -177.0	+113.9 -141.6	+81.4 -101.1
TRIPLE 4" (ALUMINUM) SOFFIT 12", NAILS AAS12313, ACAS12313, AFAS12313	+115.7 -115.7	+92.6 -92.6	+66.1 -66.1
TRIPLE 4" (ALUMINUM) SOFFIT 12", STAPLES AAS12313, ACAS12313, AFAS12313	+115.7 -177.0	+92.6 -141.6	+66.1 -101.1
TRIPLE 3 1/3" (VINYL) 10", NAILS VST3N, VST3V	+227.3 -80.1	+181.8 -64.1	+129.9 -45.8
TRIPLE 3 1/3" (VINYL) 10", STAPLES VST3N, VST3V	+227.3 -95.4	+181.8 -76.3	+129.9 -54.5
BEADED (VINYL) 8", NAILS VSB223N, VSB223V	+206.6 -91.0	+165.3 -72.8	+118.1 -52.0
BEADED (VINYL) 8", STAPLES VSB223N, VSB223V	+206.6 -108.4	+165.3 -86.8	+118.1 -62.0
DOUBLE 5" PREMIUM (VINYL) 10", NAILS VSD5N, VSD5FV	+237.6 -83.7	+190.1 -67.0	+135.8 -47.9
DOUBLE 5" PREMIUM (VINYL) 10", STAPLES VSD5N, VSD5FV	+237.6 -99.8	+190.1 -79.8	+135.8 -57.0
PREMIUM TRIPLE 4" (VINYL) 12", NAILS VST4N, VST4FV, VST4CV	+206.6 -60.7	+165.3 -48.5	+118.1 -34.7
PREMIUM TRIPLE 4" (VINYL) 12", STAPLES VST4N, VST4FV, VST4CV	+206.6 -72.3	+165.3 -57.8	+118.1 -41.3
ECONOMY TRIPLE 4" (VINYL) 12", NAILS EVS12N, EVS12P, EVS12CP	+185.9 -54.6	+148.8 -43.7	+106.3 -31.2
ECONOMY TRIPLE 4" (VINYL) 12", STAPLES EVS12N, EVS12P, EVS12CP	+185.9 -65.1	+148.8 -52.1	+106.3 -37.2
ECONOMY DOUBLE 5" (VINYL) 10", NAILS EVSD5N, EVSD5V	+206.6 -72.8	+165.3 -58.3	+118.1 -41.6
ECONOMY DOUBLE 5" (VINYL) 10", STAPLES EVSD5N, EVSD5V	+206.6 -86.8	+165.3 -69.4	+118.1 -49.6
DOUBLE 5" (VINYL) 10", NAILS SVSD5N, SVSD5FV	+216.9 -76.5	+173.5 -61.2	+124.0 -43.7
DOUBLE 5" (VINYL) 10", STAPLES SVSD5N, SVSD5FV	+216.9 -91.1	+173.5 -72.9	+124.0 -52.1

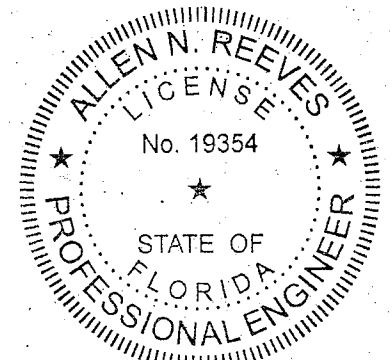
Details that go with this table appear on Sheet 1 of 3

ALLOWABLE DESIGN WIND PRESSURES IN PSF					
LONG SPAN TABLE					
CELLWOOD SOFFIT TYPE	EAVE WIDTH IN INCHES				
	12"	15"	18"	21"	24"
DOUBLE 6" (ALUMINUM) 12", NAILS AAS12219, AFAS12219	+288.0 -275.3	+170.4 -162.9	+112.5 -107.6	+79.8 -76.3	+59.5 -56.9
DOUBLE 6" (ALUMINUM) 12", STAPLES AAS12219, AFAS12219	+288.0 -275.3	+170.4 -162.9	+112.5 -107.6	+79.8 -76.3	+59.5 -56.9
DOUBLE 6" (ALUMINUM) 12", NAILS AAS12216, AFAS12216	+242.5 -231.9	+143.5 -137.2	+94.7 -90.6	+67.2 -64.2	+50.1 -47.9
DOUBLE 6" (ALUMINUM) 12", STAPLES AAS12216, AFAS12216	+242.5 -231.9	+143.5 -137.2	+94.7 -90.6	+67.2 -64.2	+50.1 -47.9
TRIPLE 4" (ALUMINUM) 12", NAILS AAS12319, ACAS12319, AFAS12319	+288.0 -275.3	+170.4 -162.9	+112.5 -107.6	+79.8 -76.3	+59.5 -56.9
TRIPLE 4" (ALUMINUM) 12", STAPLES AAS12319, ACAS12319, AFAS12319	+288.0 -275.3	+170.4 -162.9	+112.5 -107.6	+79.8 -76.3	+59.5 -56.9
QUAD 4" (ALUMINUM) 16", NAILS AAS16419A, ACAS16419A	+216.0 -206.5	+127.8 -122.2	+84.4 -80.7	+59.8 -57.2	+44.6 -42.7
QUAD 4" (ALUMINUM) 16", STAPLES AAS16419A, ACAS16419A	+216.0 -206.5	+127.8 -122.2	+84.4 -80.7	+59.8 -57.2	+44.6 -42.7
TRIPLE 4" (ALUMINUM) 12", NAILS AAS12316, ACAS12316, AFAS12316	+242.5 -231.9	+143.5 -137.2	+94.7 -90.6	+67.2 -64.2	+50.1 -47.9
TRIPLE 4" (ALUMINUM) 12", STAPLES AAS12316, ACAS12316, AFAS12316	+242.5 -231.9	+143.5 -137.2	+94.7 -90.6	+67.2 -64.2	+50.1 -47.9
TRIPLE 4" (ALUMINUM) SOFFIT 12", NAILS AAS12313, ACAS12313, AFAS12313	+197.1 -188.4	+116.6 -111.5	+77.0 -73.6	+54.6 -52.2	+40.7 -38.9
TRIPLE 4" (ALUMINUM) SOFFIT 12", STAPLES AAS12313, ACAS12313, AFAS12313	+197.1 -188.4	+116.6 -111.5	+77.0 -73.6	+54.6 -52.2	+40.7 -38.9
TRIPLE 3 1/3" (VINYL) 10", NAILS VST3N, VST3V	+329.2 -73.8	+194.8 -56.8	+128.6 -46.1	+91.2 -38.8	+68.0 -33.6
TRIPLE 3 1/3" (VINYL) 10", STAPLES VST3N, VST3V	+329.2 -76.3	+194.8 -58.7	+128.6 -47.7	+91.2 -40.2	+68.0 -34.7
BEADED (VINYL) 8", NAILS VSB223N, VSB223V	+374.1 -83.9	+221.4 -64.5	+146.1 -52.4	+103.6 -44.1	+77.3 -38.1
BEADED (VINYL) 8", STAPLES VSB223N, VSB223V	+374.1 -86.76	+221.4 -66.7	+146.1 -54.2	+103.6 -45.7	+77.3 -39.4
DOUBLE 5" PREMIUM (VINYL) 10", NAILS VSD5N, VSD5FV	+344.2 -77.2	+203.7 -59.4	+134.4 -48.2	+95.3 -40.6	+71.1 -35.1
DOUBLE 5" PREMIUM (VINYL) 10", STAPLES VSD5N, VSD5FV	+344.2 -79.8	+203.7 -61.4	+134.4 -49.9	+95.3 -42.0	+71.1 -36.3
PREMIUM TRIPLE 4" (VINYL) 12", NAILS VST4N, VST4FV, VST4CV	+249.4 -55.9	+147.6 -43.0	+97.4 -35.0	+69.1 -29.4	+51.5 -25.4
PREMIUM TRIPLE 4" (VINYL) 12", STAPLES VST4N, VST4FV, VST4CV	+249.4 -57.8	+147.6 -44.5	+97.4 -36.2	+69.1 -30.4	+51.5 -26.3
ECONOMY TRIPLE 4" (VINYL) 12", NAILS EVS12N, EVS12P, EVS12CP	+224.5 -50.3	+132.8 -38.7	+87.7 -31.5	+62.2 -26.5	+46.4 -22.9
ECONOMY TRIPLE 4" (VINYL) 12", STAPLES EVS12N, EVS12P, EVS12CP	+224.5 -52.1	+132.8 -40.0	+87.7 -32.5	+62.2 -27.4	+46.4 -23.7
ECONOMY DOUBLE 5" (VINYL) 10", NAILS EVSD5N, EVSD5V	+299.3 -67.1	+177.1 -51.6	+116.9 -41.9	+82.9 -35.3	+61.8 -30.5
ECONOMY DOUBLE 5" (VINYL) 10", STAPLES EVSD5N, EVSD5V	+299.3 -69.4	+177.1 -53.4	+116.9 -43.4	+82.9 -36.5	+61.8 -31.5
DOUBLE 5" (VINYL) 10", NAILS SVSD5N, SVSD5FV	+314.3 -70.5	+185.9 -54.2	+122.8 -44.0	+87.1 -37.1	+64.9 -32.5
DOUBLE 5" (VINYL) 10", STAPLES SVSD5N, SVSD5FV	+314.3 -72.9	+185.9 -56.1	+122.8 -45.5	+87.1 -38.4	+64.9 -33.1

Details that go with this table are found on Sheet 1 of 3

ALLOWABLE DESIGN WIND PRESSURES IN PSF	
MULTI SPAN TABLE (EXTERIOR CEILINGS)	
CELLWOOD SOFFIT TYPE	
Beaded (Vinyl) 8", Nails Solid - VSB223N Vented - VSB223V	+/-55.0
Beaded (Vinyl) 8", Staples Solid - VSB223N Vented - VSB223V	+/-55.0
Premium Double 5 (Vinyl) 10", Nails Solid - VSD5N Vented - VSD5FV	+/-50.6
Premium Double 5 (Vinyl) 10", Staples Solid - VSD5N Vented - VSD5FV	+/-50.6
Premium Triple 4 (Vinyl) 12", Nails Solid - VST4N Center Vent - VST4CV Full Vent - VST4FV	+/-36.7
Premium Triple 4 (Vinyl) 12", Staples Solid - VST4N Center Vent - VST4CV Full Vent - VST4FV	+/-36.7
Economy Double 5 (Vinyl) 10", Nails Solid - EVSD5N Vented - EVSD5V	+/-44.0
Economy Double 5 (Vinyl) 10", Staples Solid - EVSD5N Vented - EVSD5V	+/-44.0
Triple 3 1/3, (Vinyl) 10", Nails Solid - VST3N Vented - VST3V	+/-48.4
Triple 3 1/3, (Vinyl) 10", Staples Solid - VST3N Vented - VST3V	+/-48.4
Economy Triple 4 (Vinyl) 12", Nails Solid - EVS12N Center Vent - EVS12CP Full Vent - EVS12P	+/-33.0
Economy Triple 4 (Vinyl) 12", Staples Solid - EVS12N Center Vent - EVS12CP Full Vent - EVS12P	+/-33.0
Double 5, (Vinyl) 10", Nails Solid - SVSD5N Full Vent - SVSD5FV	+/-46.2
Double 5, (Vinyl) 10", Staples Solid - SVSD5N Full Vent - SVSD5FV	+/-46.2

The detail for this table appears on Sheet 2 of 2



Allen N. Reeves
31 MARCH 2015

Allen N. Reeves, P.E. Structural Engineer Florida License #19354	
HR Engineering, Inc.	DATE: 27 MARCH 2015
CLIENT: PLYGEM/MASTIC	BY: A. REEVES
PROJECT NO. 15030001 SHEET 3 OF 3	
PROJECT NAME: MASTIC SOFFITS - FLORIDA	