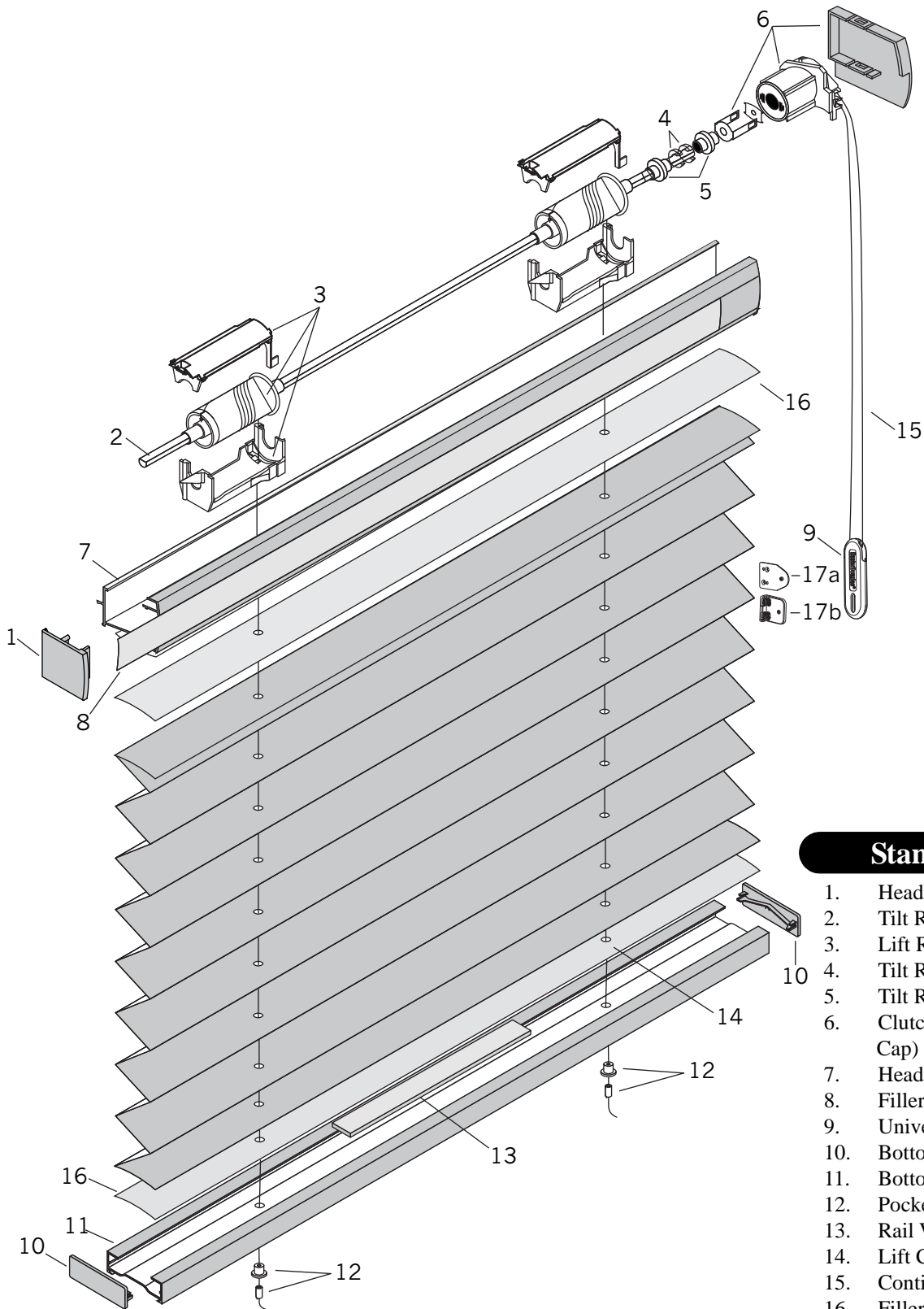


Pleated Shades with SoftGlide®



Standard Parts

1. Headrail End Cap
2. Tilt Rod
3. Lift Roll Assembly
4. Tilt Rod Locks
5. Tilt Rod Bushings
6. Clutch (Includes Adaptor & End Cap)
7. Headrail
8. Filler Strip Valance
9. Universal Cord Tensioner (UCT)
10. Bottomrail End Cap
11. Bottomrail
12. Pocket & Ferrule
13. Rail Weight*
14. Lift Cord
15. Continuous Cord Loop
16. Filler Strip
- 17a. UCT Outside Mount
- 17b. UCT Flush Mount)

Pleated Shades with SoftGlide®

<i>No.</i>	<i>PCN</i>	<i>Description</i>	<i>Additional Components:</i>	
1.	Headrail End Cap RC44508x RC400859		XSB101A72P XTW101A90P 555004	Room Darkening Backing Light Filtering Backing Installation Screw
2.	5908027000	Tilt Rod - Metal – 16'	PC555250	Gear Box Adaptor (Shades over 60" wide)
3.	PC555242	Lift Roll Assembly – Cream		
4.	5907202000	Tilt Rod Lock (Plastic Tilter Lock)	559056	Eyelet
5.	PC555220	Tilt Rod Bushing	555019	Plastic Washer
6.	Clutch Set PC5552xx PC5552xx	Clutch Set (Left Hand) Clutch Set (Right Hand)	555065 888105 7106858000	Double Faced Tape Bottomrail Label (English) Bottomrail Label (French)
7.	SoftGlide Headrail – 16' PC55523x PC500859		LIT888020A LIT888020AF	SoftGlide Installation Instructions (English) SoftGlide Installation Instructions (French)
8.	2954000000	Filler Strip with Fabric Valance	7107685000	Tension Device Safety Hang Tag
9.	Universal Cord Tensioner 4150042048 4151042320 4151042785 4150042859	Black Rich Cream Aspen White Desert Tan	RMC632002 RMC633002	SoftGlide Installation Brackets - Alabaster (2 Pack) SoftGlide Installation Brackets - Alabaster (3 Pack)
10.	2950020xxx	Bottomrail Endcaps	RMC632048	SoftGlide Installation Brackets - Black (2 Pack)
11.	2950010xxx	Bottomrail	RMC604048	SoftGlide Installation Brackets - Black (3 Pack)
12.	3200156000C	Pocket & Ferrule		
13.	Rail Weight - Optional (*used only if needed) PC5550003 PC5550006 PC55500012		444956 5007311000	Extension Bracket Hold-Down Bracket
14.	0.9 mm Lift Cord 5580xx PC5580xx			xxx = Color Code
15.	Continuous Cord Loop 5550xx PC55518x			
16.	2954000000	Filler Strip		
17.	4150459000	Universal Cord Tensioner Mounting Kit		
17a.	N/A	Outside		
17b.	N/A	Flush Mount		