

Paramount

MODEL No. GF-311-M

GEL FIREPLACE

ASSEMBLY INSTRUCTIONS



READ & SAVE THESE INSTRUCTIONS

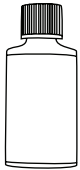
Carefully read and review before assembling, installing, operating or maintaining this product. Observe all safety instructions and information.

For customer service, parts
or warranty issues:
e-mail customercare@jrhome.com

PARTS

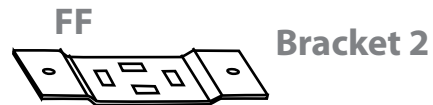
PARTS LIST

PART #	PART NAME	QTY
A	BASE	1
B	RIGHT SIDE PANEL	1
C	LEFT SIDE PANEL	1
D	RIGHT FRONT PANEL	1
E	LEFT FRONT PANEL	1
F	RIGHT TRIM PANEL	1
G	LEFT TRIM PANEL	1
H	UPPER FACING	1
I	CENTRAL PANEL	1
J	TOP	1

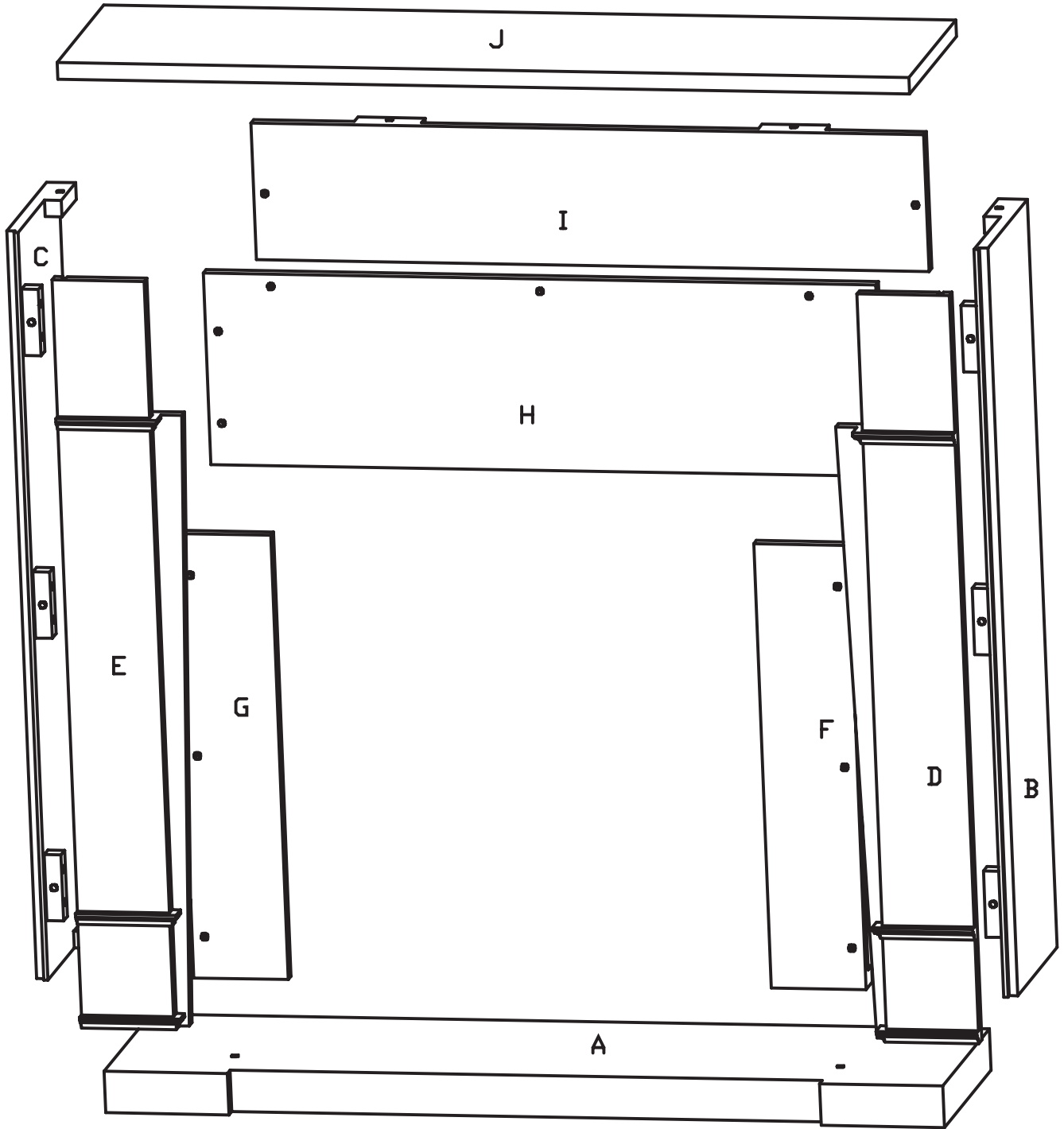


Touch up Paint 1

HARDWARE



PARTS

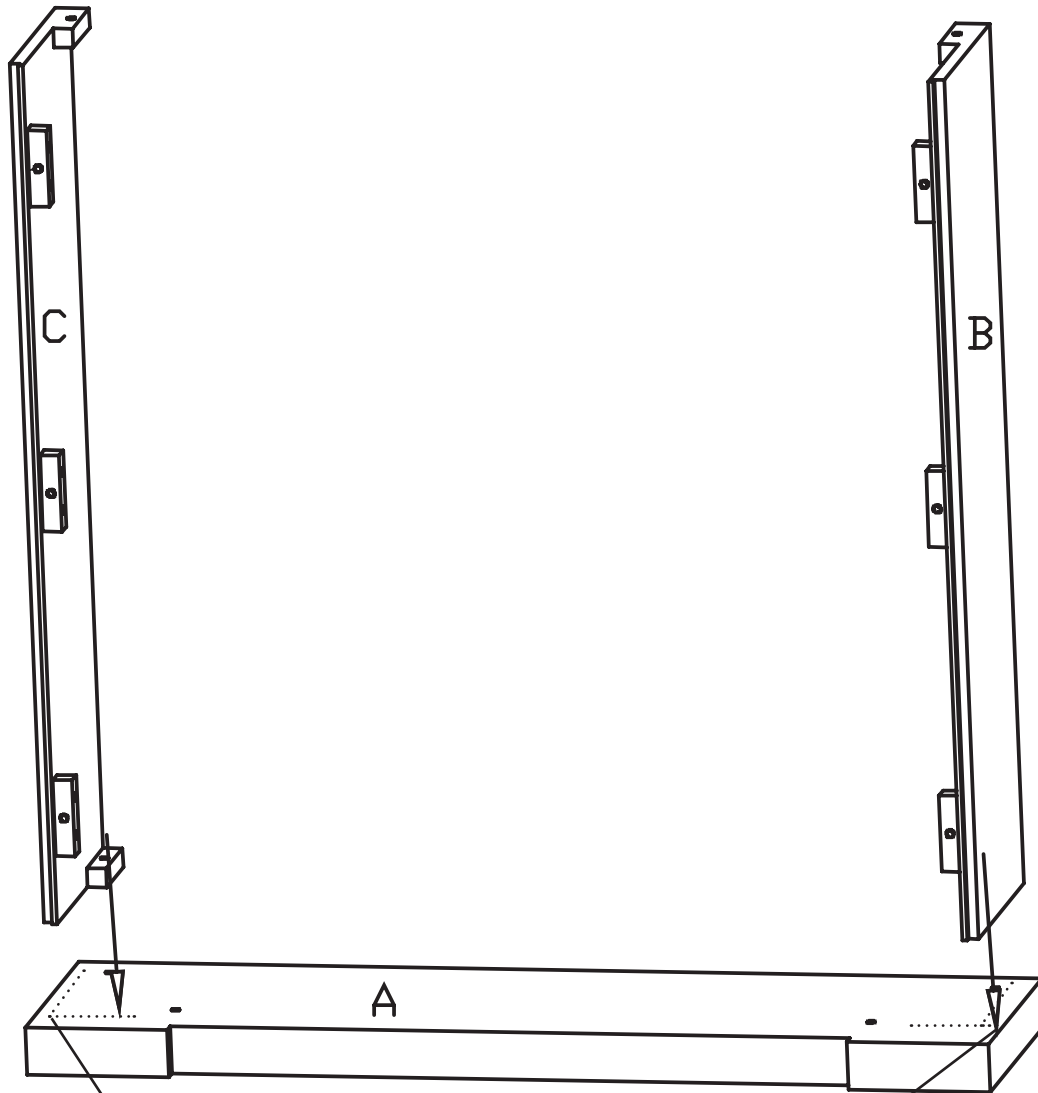


ASSEMBLY

Tools Required for Assembly (not included): Phillips screwdriver



STEP 1



Ensure that both the B & C are aligned along the groves

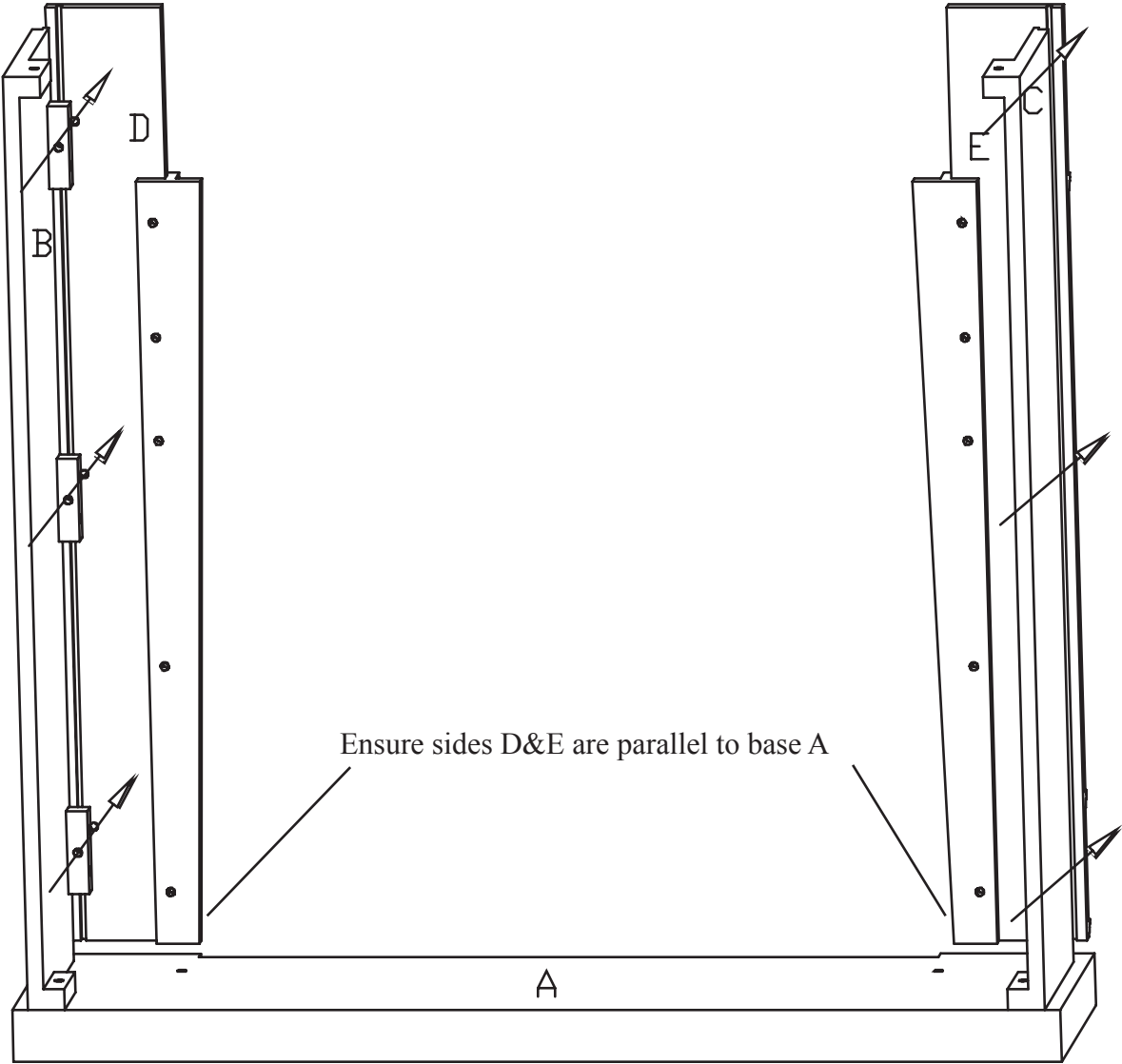
AA



Wood Screw 4x25mm (2)

STEP 2

Back View



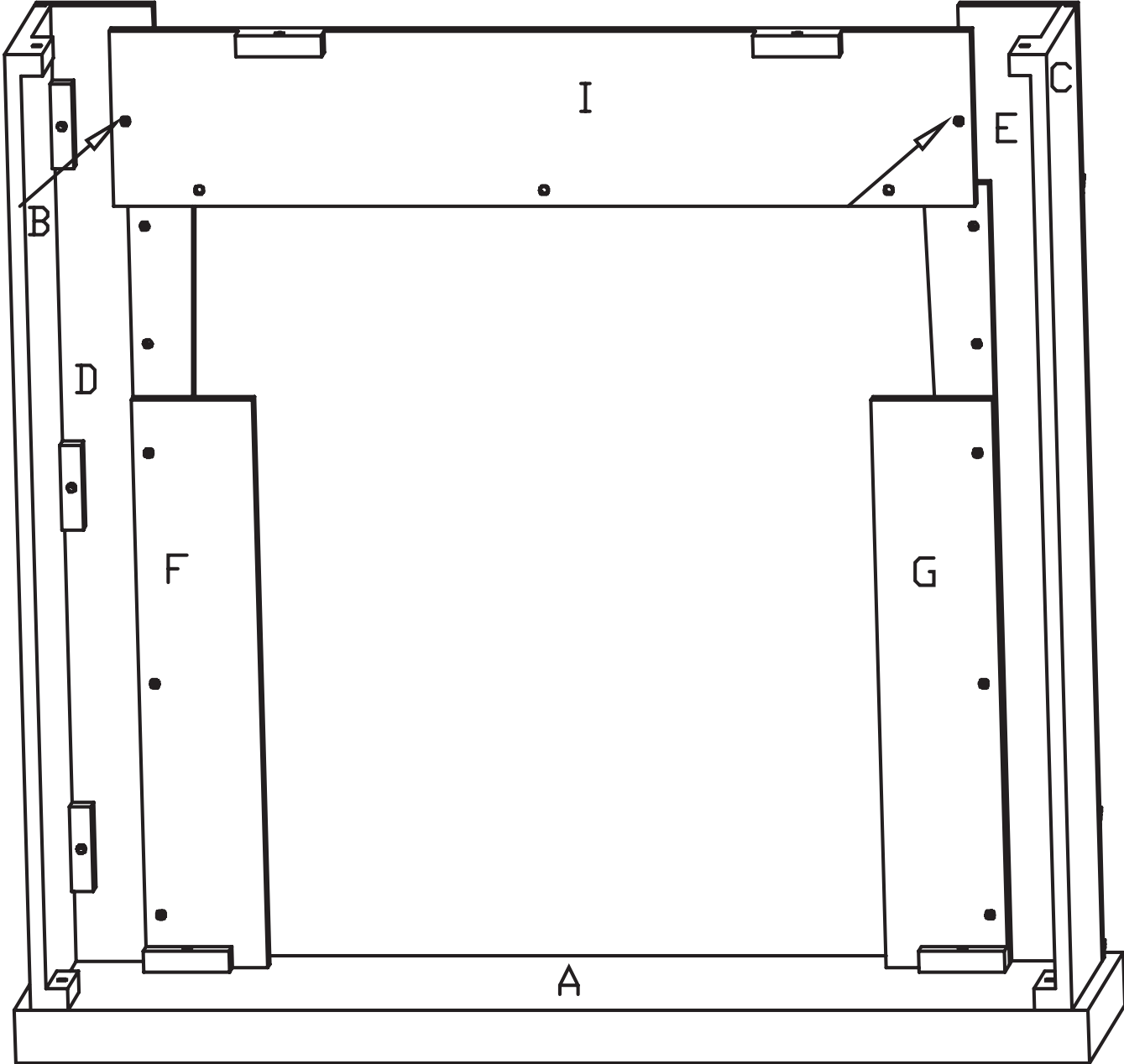
AA



Wood Screw 4x25mm (6)

STEP 3

Back View



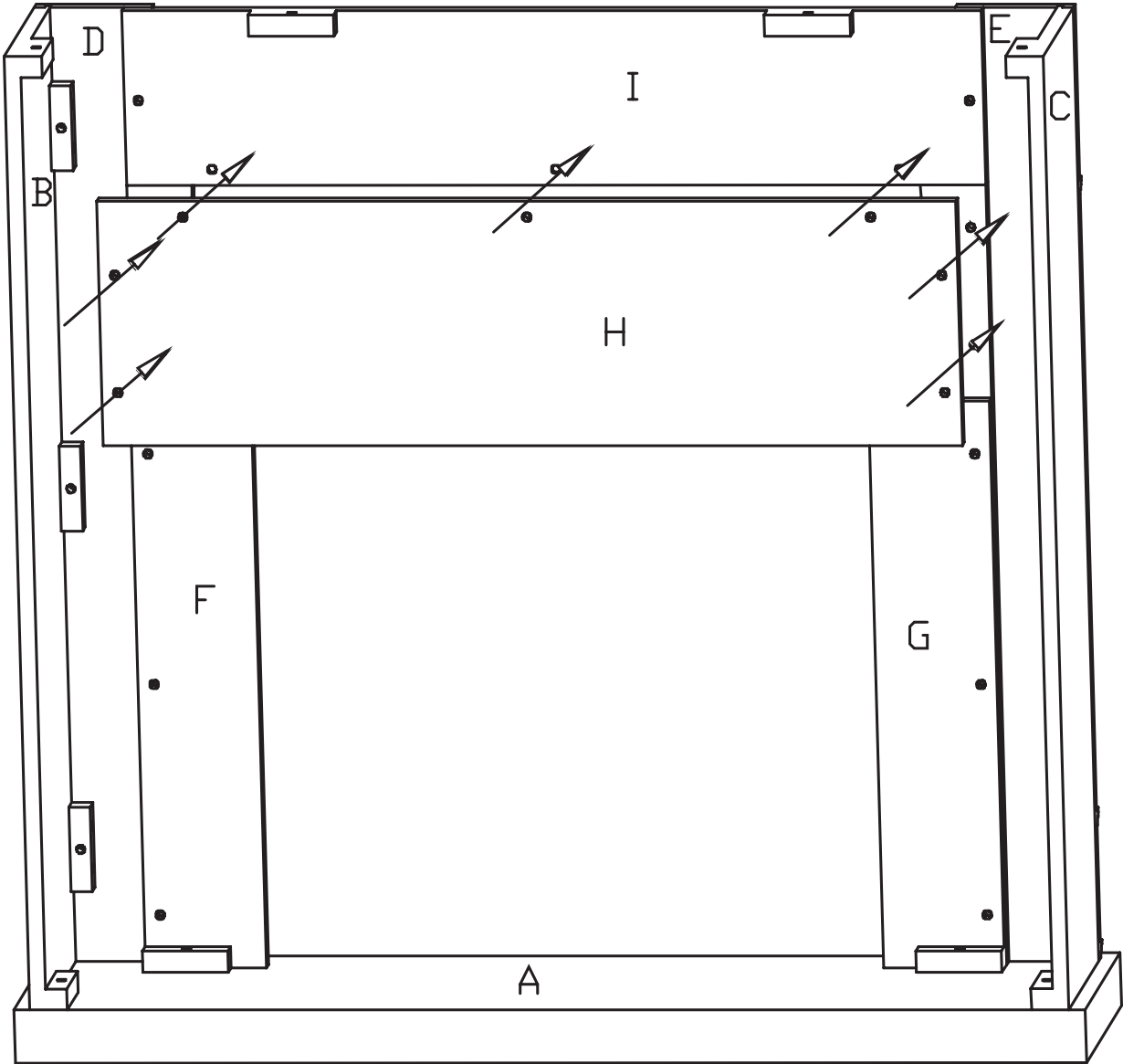
AA



Wood Screw 4x25mm (2)

STEP 4

Back View



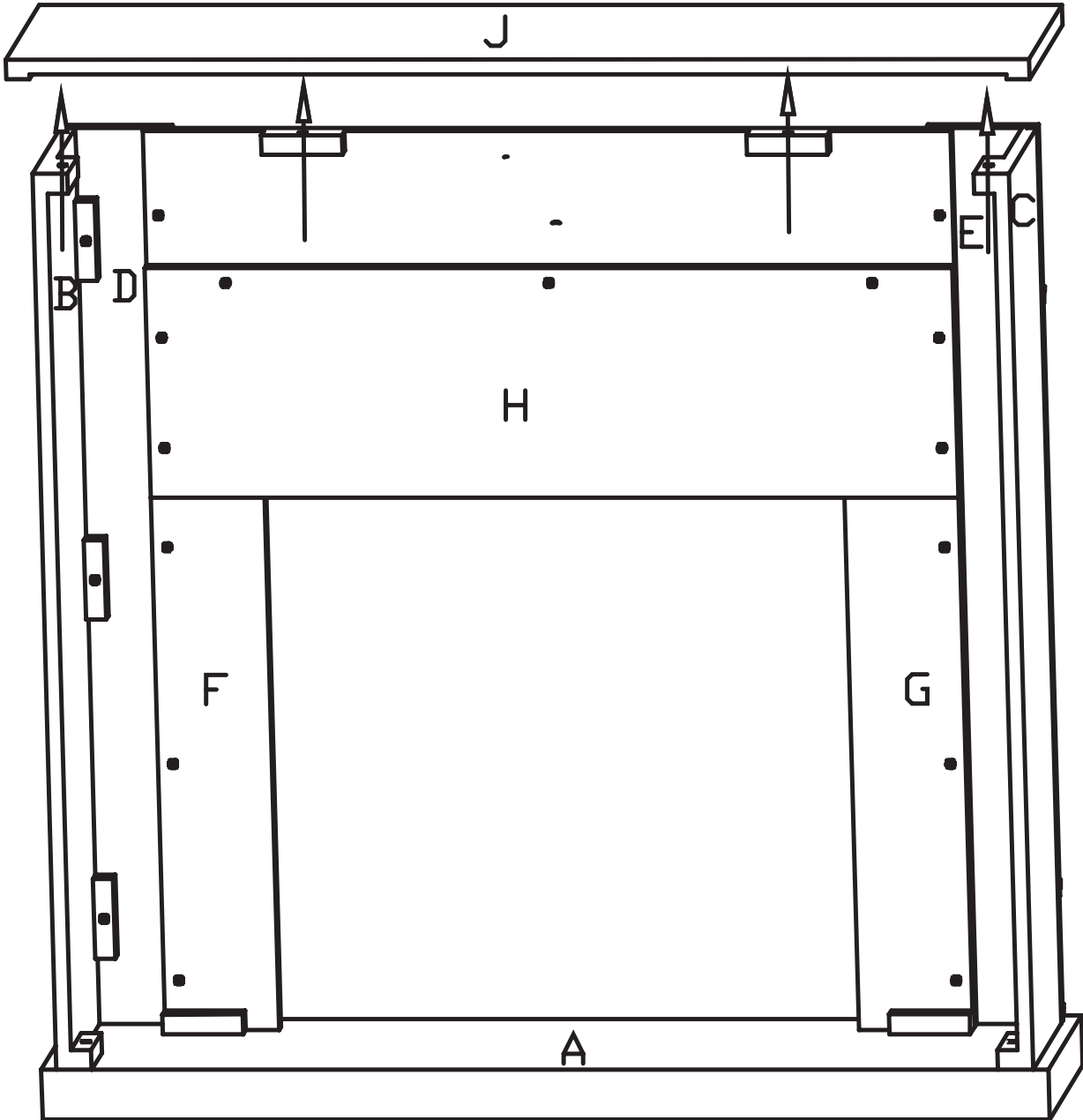
AA



Wood Screw 4x25mm (7)

STEP 5

Back View



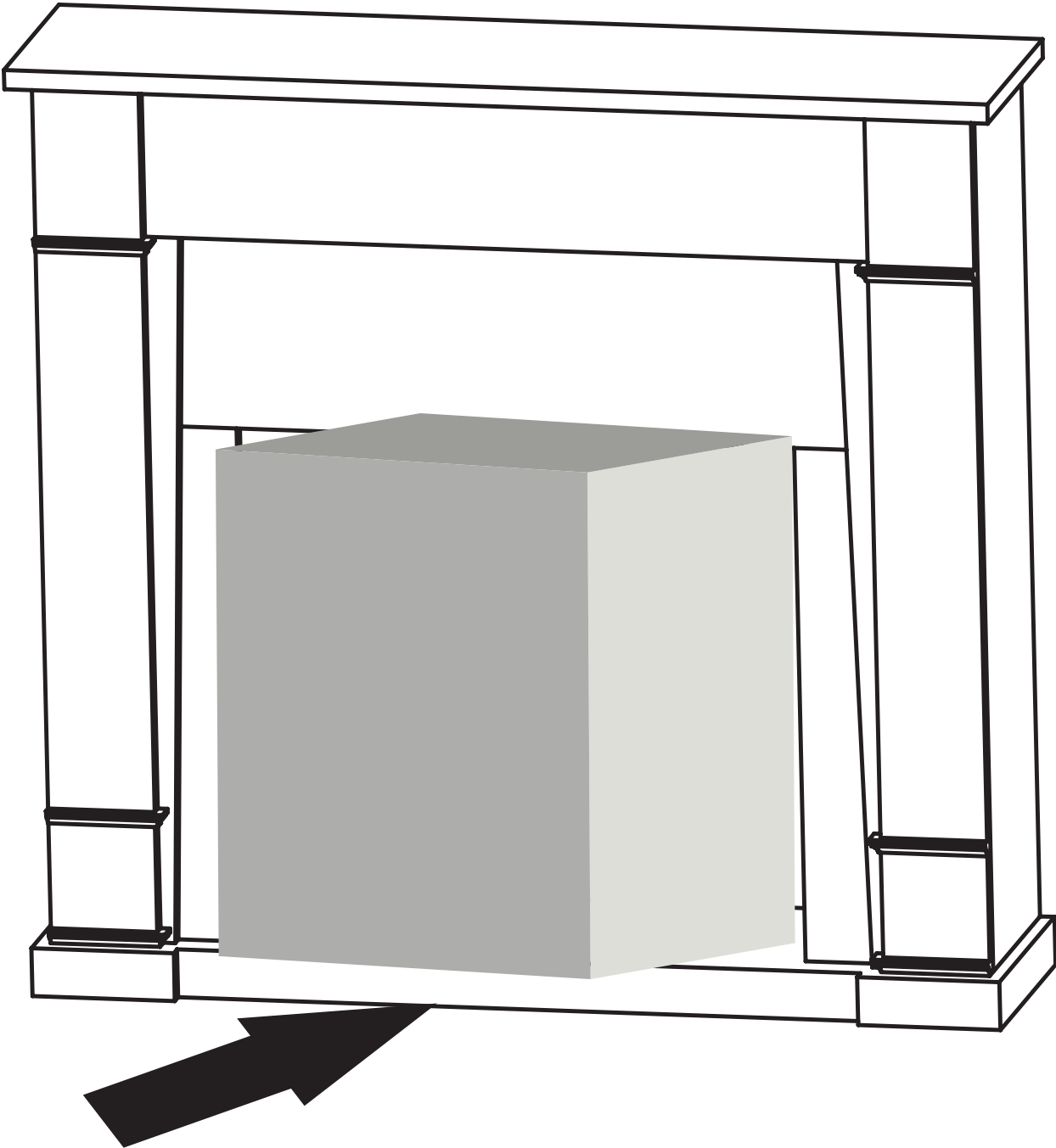
AA



Wood Screw 4x25mm (4)

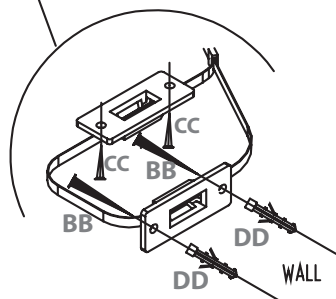
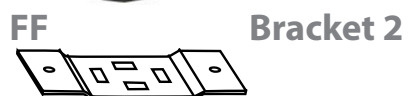
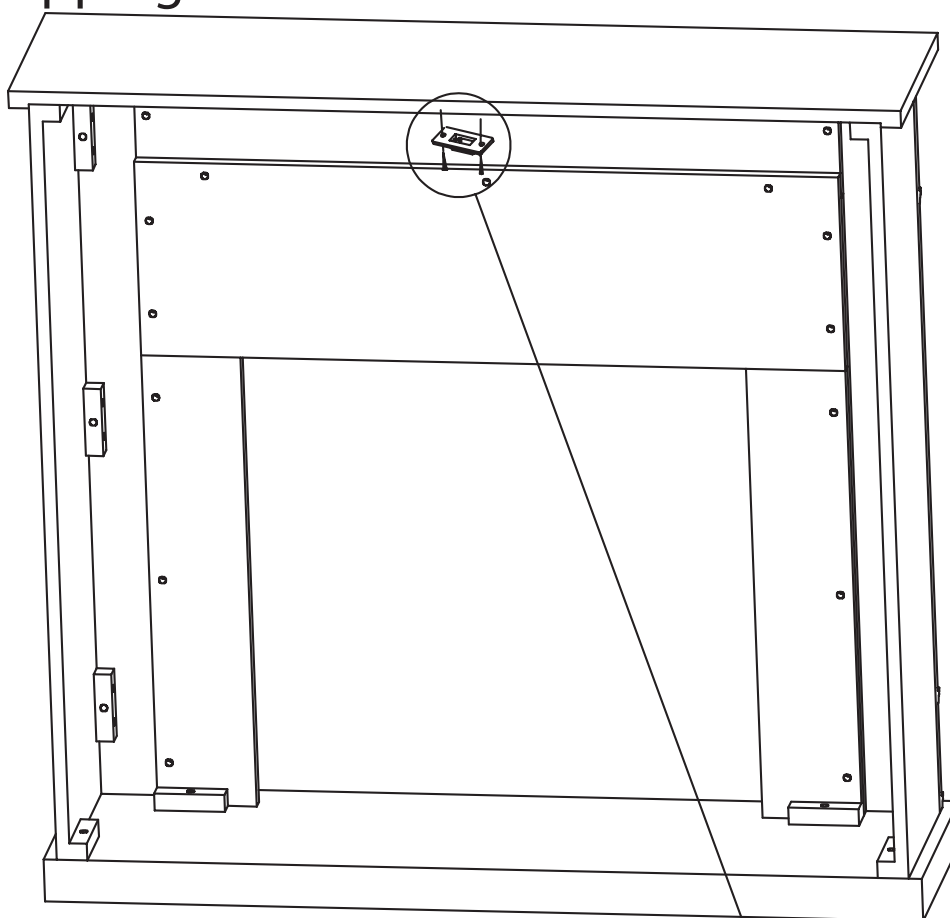
STEP 6

Push the fireplace insert from the front



STEP 7

Anti tipping device



IMPORTANT

For questions, concerns or problems with our product please
email our customer service department:
customer@jrhome.com or call 1-800-561-5550.
DATED PROOF OF PURCHASE REQUIRED FOR WARRANTY SERVICE.

WARRANTY

This product is inspected, tested and carefully packaged to minimize the chance of damage during shipment. If a part (excluding light bulbs and fuses*) within one year from the date of purchase proves to be defective in material or fabrication under normal use, the part will be repaired or replaced. The Company's obligation under the warranty is to replace or repair defective parts at our discretion. Any expenses or damage resulting from the installation, removal or transportation of the product will be the responsibility of the owner and are not covered by this warranty. The owner assumes all other risks arising from the use or misuse of the product. The warranty will be void if the product damage or failure is deemed by the Company to be caused by accident, alteration, misuse, abuse, incorrect installation or removal, or connection to an incorrect power source by the owner. The Company neither assumes, nor authorizes any person or entity to assume for it any obligation or liability associated with its products. Light bulbs and fuses are not covered under this warranty. If you have any questions regarding the warranty or service, please call our toll free number: 1-800-561-5550.

Customer Service
JR Home Products
Unit 1 - 5628 Riverbend Drive, Burnaby BC, V3N 0C1
Toll Free: 1-800-561-5550
E-mail: customer@jrhome.com

You MUST register your product to receive warranty service.
Registration can be completed online at www.jrhome.com or by mailing this form.

Warranty Registration Information Form / Formulaire d'enregistrement de la garantie

Name / Nom: _____
Street / Adress: _____
City / Ville: _____
Province / Province: _____
Postal Code / Code postal: _____

Daytime Phone # / No téléphone jour: _____
Evening Phone # / No téléphone soir: _____

E-Mail Address / Courriel: _____

Product/Produit: _____
Place of Purchase / Lieu de l'achat: _____
Date of Purchase / Date de l'achat: _____
Model # / No de modèle: _____
Serial # / Numéro de série: _____

You MUST register your product to receive warranty service.

For warranty service, contact J&R Home Products at the address, phone numbers listed below within 30 days of purchase. Be sure to have your sales receipt and original date of purchase. All warranty service will be coordinated by J&R Home Products service center.

Vous DEVEZ enregistrer votre produit pour vous prévaloir de la garantie.

Afin de faire valoir la garantie, communiquez avec J&R Home Products à l'adresse et aux numéros indiqués ci-dessous dans les 30 jours suivant la date d'achat. Ayez en main votre reçu et la date d'achat. Toutes les demandes liées aux garanties seront traitées par le centre de service de J&R Home Products.