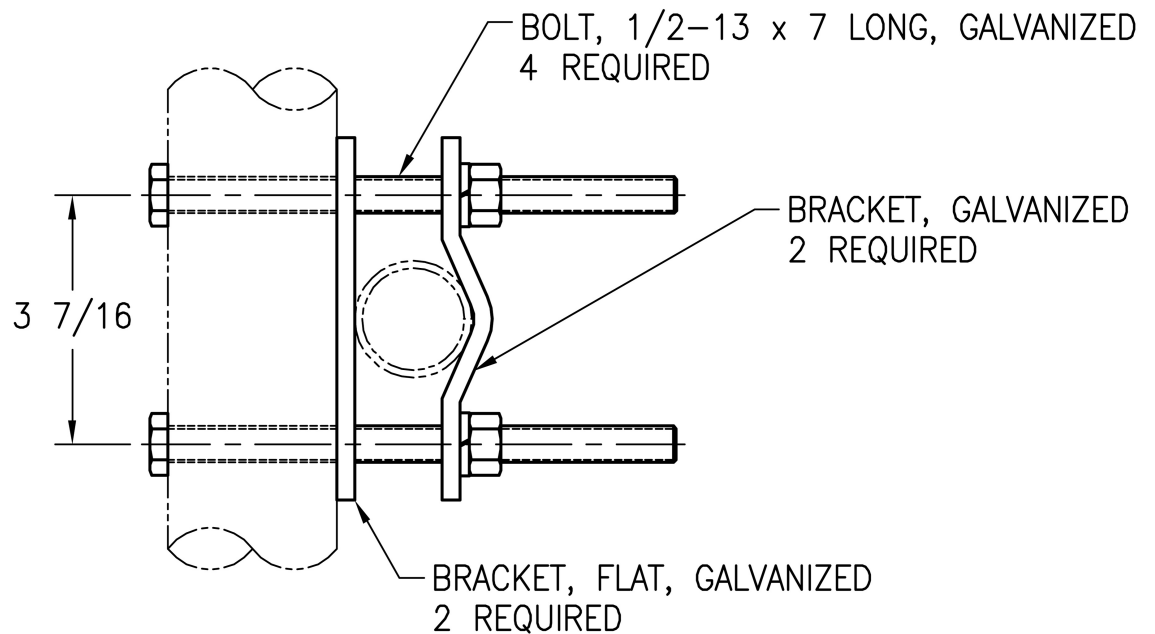
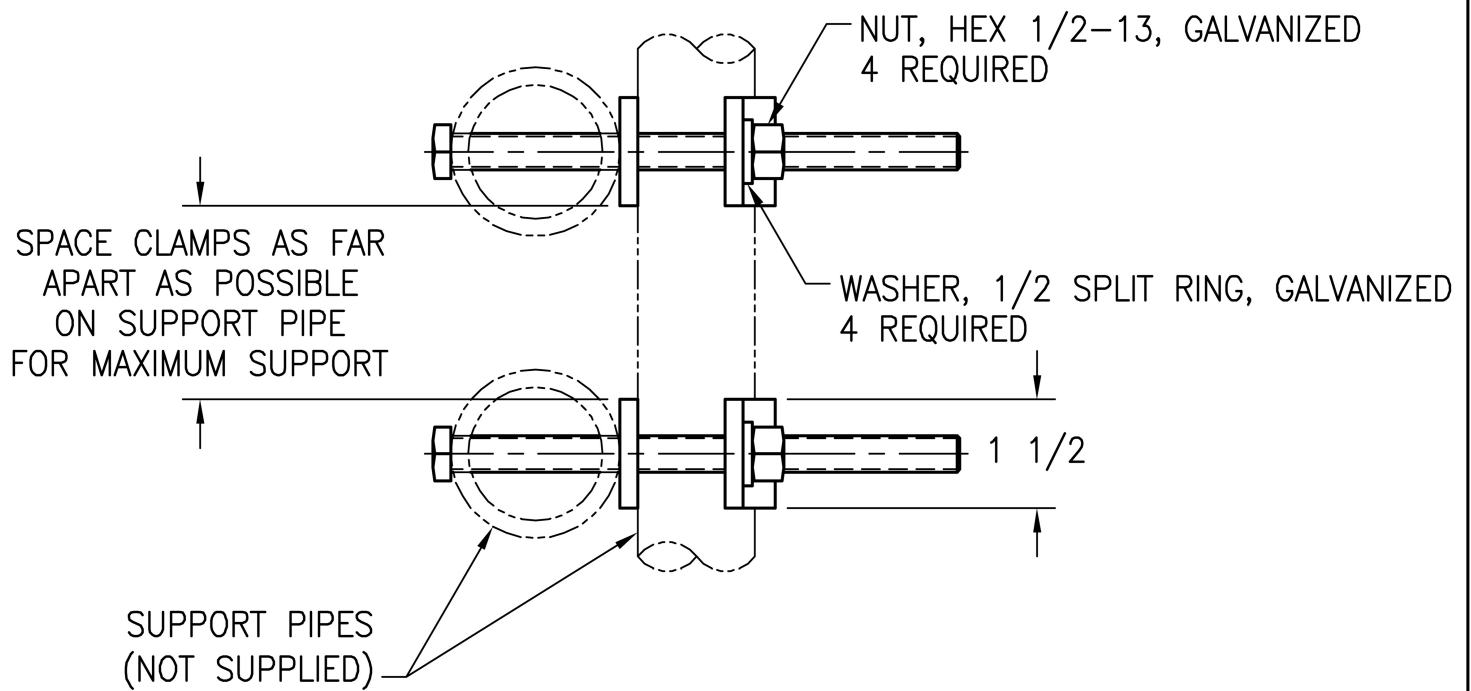


46A CLAMP SET (OFFSET MOUNTING) UNIVERSAL ANTENNA MOUNTING

READ ALL INSTRUCTIONS CAREFULLY BEFORE STARTING INSTALLATION



NOTES:

1. ADJUSTABLE FROM 1" OD PIPE TO 2-3/4 OD PIPE.
2. TIGHTENING TORQUE ON NUT: 45-50 ft-lbs.

REMINDER: SAFETY FIRST!

Commander Technologies
2029 Grand Caillou Rd
Houma, LA 70363
www.commandertech.com
(866) 756-2757