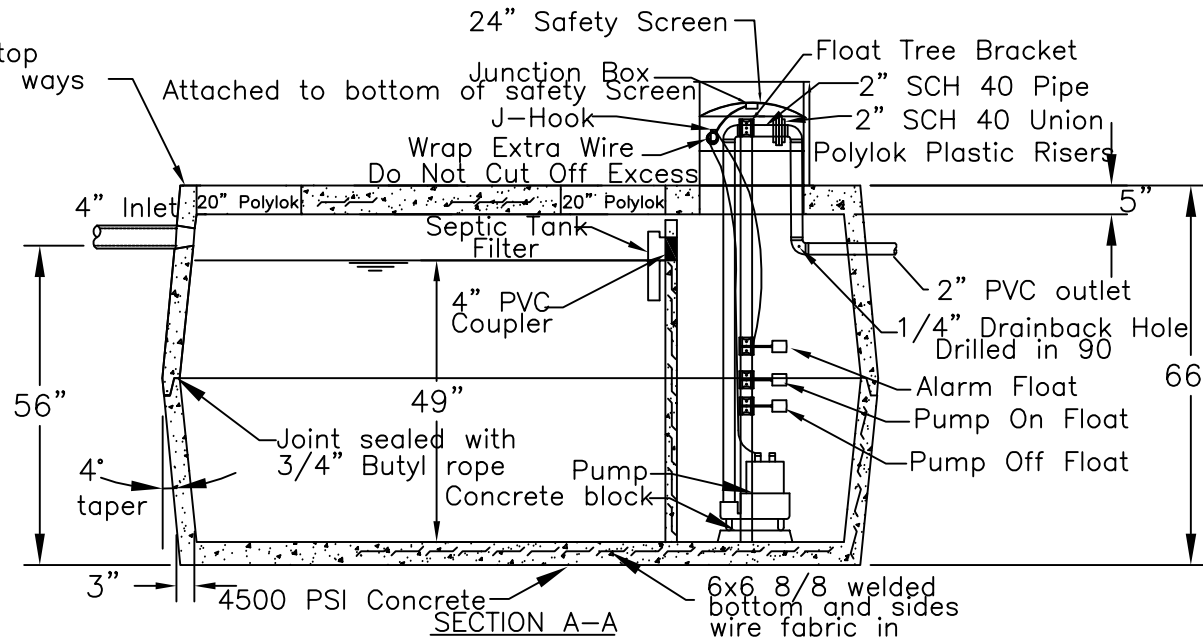


TOP VIEW

#4 Reinforcing steel in top one foot on center both ways



TANK WEIGHT = 11,300#

DOSING SIDE 7.86 GALLONS PER INCH

Notes:

1. Optional tank risers should be ordered to grade.
2. Minimum 4500 psi at 28 days concrete.
3. Reinforcing bars shall conform to ASTM A-615 Grade 60 Steel.
4. All reinforcing bars shall be cut and formed to the dimensional tolerances specified in ACI-315 or ACI-318 except where noted on drawings.
5. All bars shall be bent cold. Bars with kinks and bends not indicated shall not be used. Heating and rebending of bars is not permitted.
6. Reinforcing steel shall be #4 rebar at 12" o.c. both ways tied to 6x6 8/8 Welded Wire Mesh.
7. Earth cover: 0' minimum up to 5'-0" maximum. Size pad according to amount of earth cover.

Drawing Name:
1250 2DT
Date:
1/26/15
Revised:

**1250 GALLON
TWO COMPARTMENT
DOSING TANK**

**MIDWEST M TILE &
CONCRETE PRODUCTS, INC.**

4309 Webster Road Woodburn IN 46797
Phone: 260-749-5173 Fax: 260-493-2477
6209 Ardmore Ave Fort Wayne IN 46809
Phone: 260-478-9098 Fax: 260-478-6738