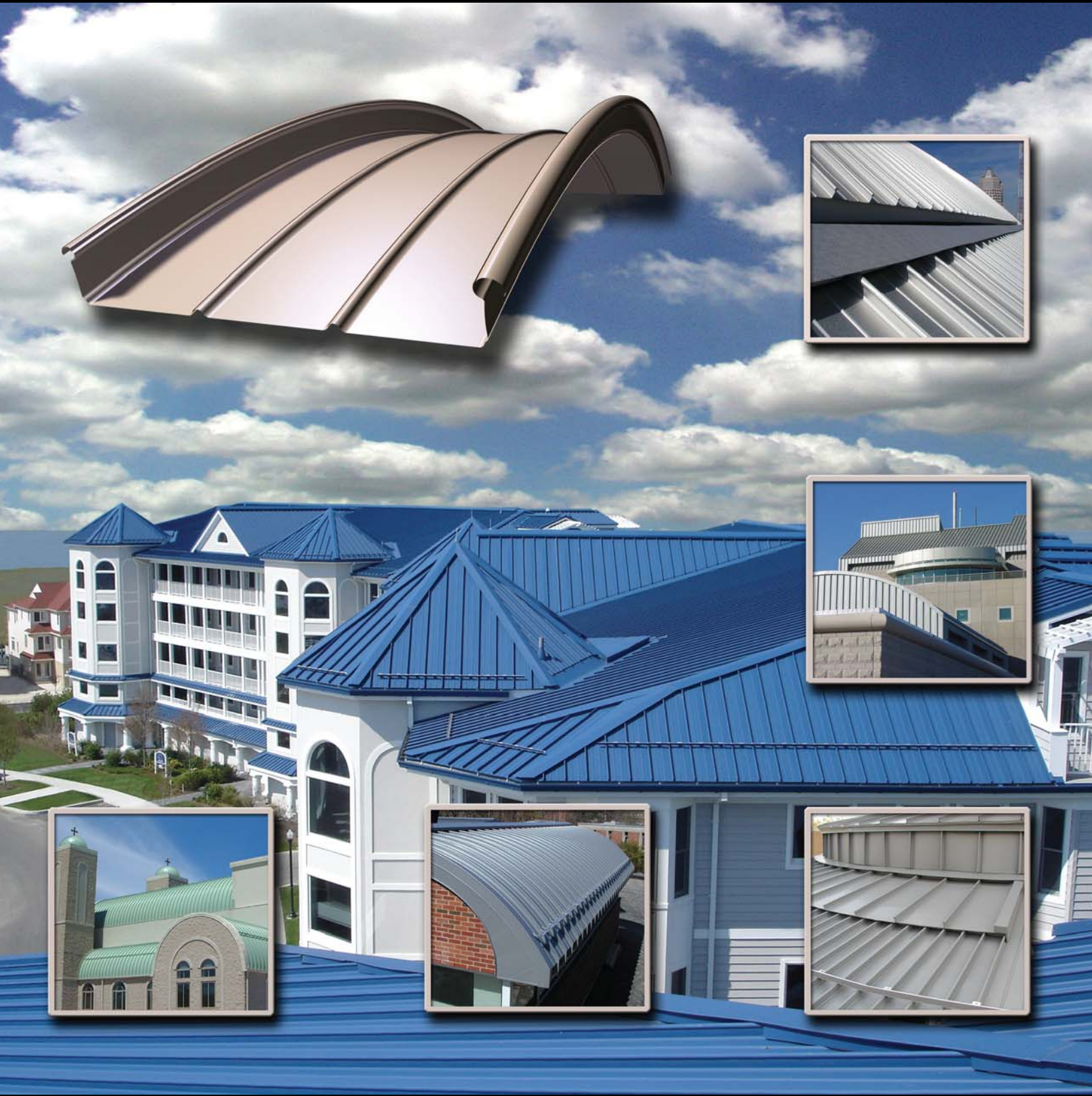


Merchant & Evans, Inc.

Architectural and Structural Roofing Products

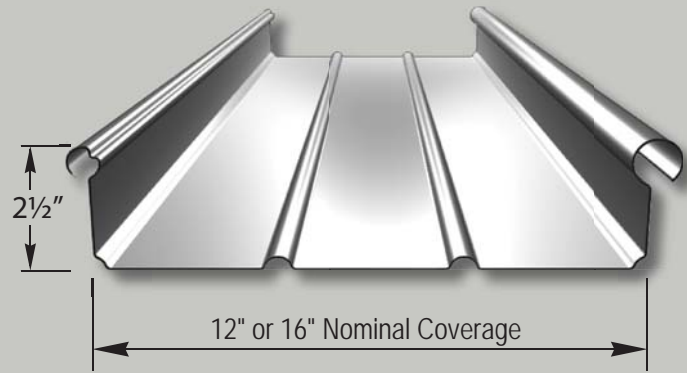


800-257-6215
www.ziprib.com

ZIP-RIB®
Structural Standing Seam Roof & Wall Panel System

ZIP-RIB®

Structural Standing Seam Roof & Wall Panel System



Applications

Structural roofing on slopes 1/4" per foot or greater.
Continuous lengths exceeding 460 ft.
Vertical walls. Conical tapers. Convex / Concave curves.

Substrates

Open purlin / Re-Roof framing / Plywood / Metal Deck

Standard Materials

24 , 22, 20 Ga. Galvalume (Aluminum/Zinc Coated Steel)

24, 22 Ga. Stainless Steel

.032, .040, .050 Aluminum

Mill Finish or with 1.0 Mil Kynar Coating System.

Smooth or Stucco-Embossed Surface.

Factory or field roll formed / mechanically curved.

Other Materials, Gauges & Custom Coatings available.

Performance

UL-90 Uplift, UL Class "A", UL P-XYZ Assemblies.

Factory Mutual Approved, Dade County Approved.

AAMA-501 Tested ASTM E-1592 Tested

ASTM E-1646 Tested ASTM E-1680 Tested

ASTM E-283 Tested ASTM E-331 Tested

ASTM E-2140 Tested F.B.C. Approved

New York City MEA, Thermal-Cycle Clip Test.

US Army Corps of Engineers.



SLIDING HOOK PANEL CLIP



GABLE CLIP

