

Merchant & Evans, Inc.

Architectural and Structural Roofing Products

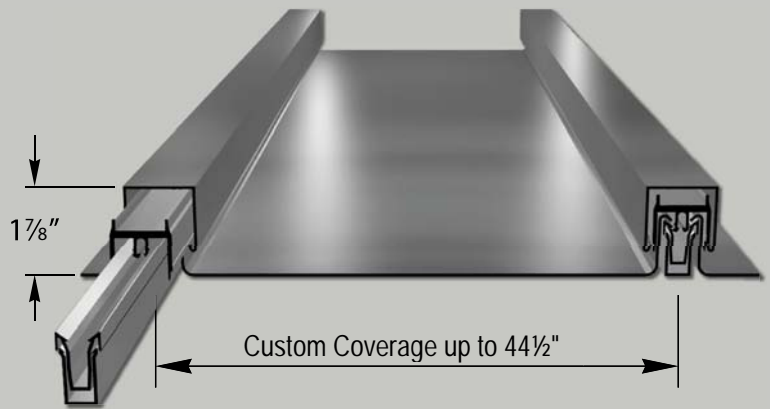


800-257-6215
www.ziprib.com

BD-1520
Pan & Batten System

BD-1520

Pan & Batten System



Applications

Architectural roofing on slopes 3" or greater.
 Continuous lengths up to 45 ft.
 Conical tapers. Convex / Concave curves.
 Domes. Vertical walls.

Substrates

Plywood or Gyp board & Rigid insulation over decking.
 Requires 30# felt underlayment and rosin slip sheet.

Standard Materials

24, 22, 20 Ga. Galvalume (Aluminum/Zinc Coated Steel)
 .032, .040, .050 Aluminum (3004 alloy)
 24, 22 Ga. Stainless Steel
 16, 20 oz. Copper
 .7, .8, 1.0mm Zinc
 Mill Finish or with 1.0 Mil Kynar Coating System.
 Smooth or Stucco-Embossed Surface.
 Other Materials, Gauges & Custom Coatings available.

Performance

Underwriters Laboratories Tested
 ASTM E-330 Tested ASTM E-331 Tested
 F.B.C. Approved

PANEL JOINT ASSEMBLY

