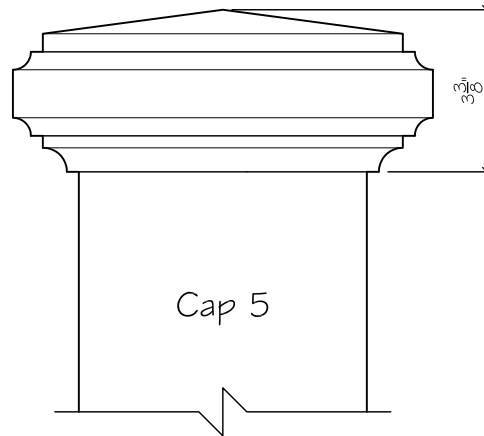
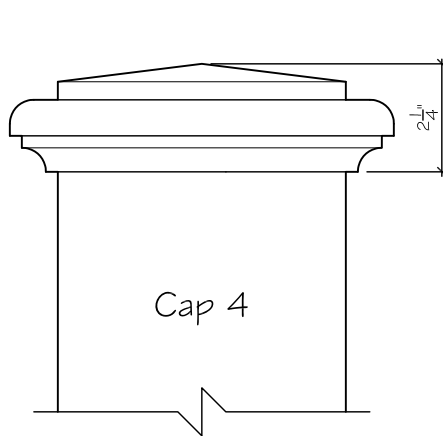
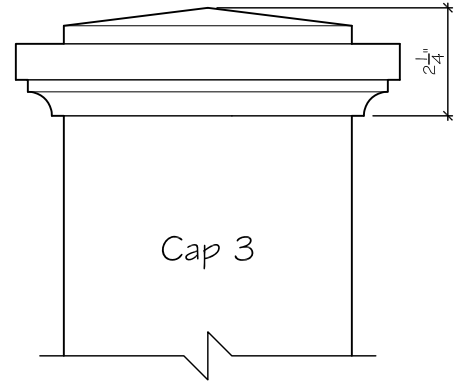
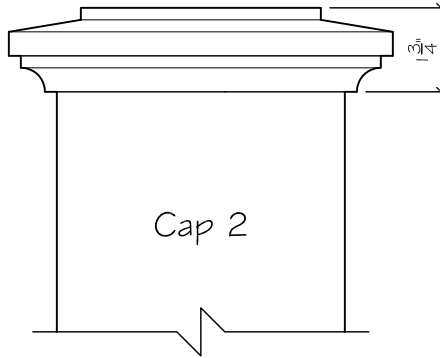
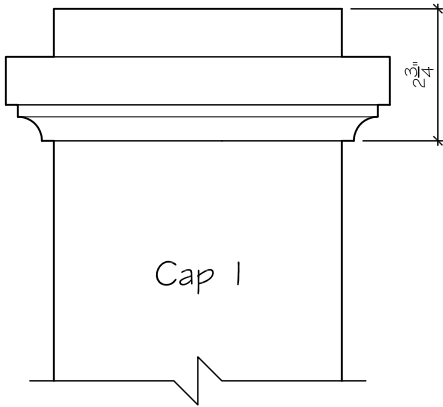




Quality Stairs, Inc.

70 Logan Street
Bridgeport, CT 06607
Phone (203) 367-8390
Fax (203) 331-1968
www.qualitystairs.org



Newel Posts can range from a 3" to 6" wide base.