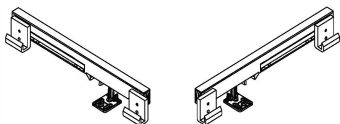


INSTALLATION GUIDE

BARN DOOR EASY CLIP SOFT CLOSE

LEFT EASY CLIP
HARDWARE

RIGHT EASY CLIP
HARDWARE



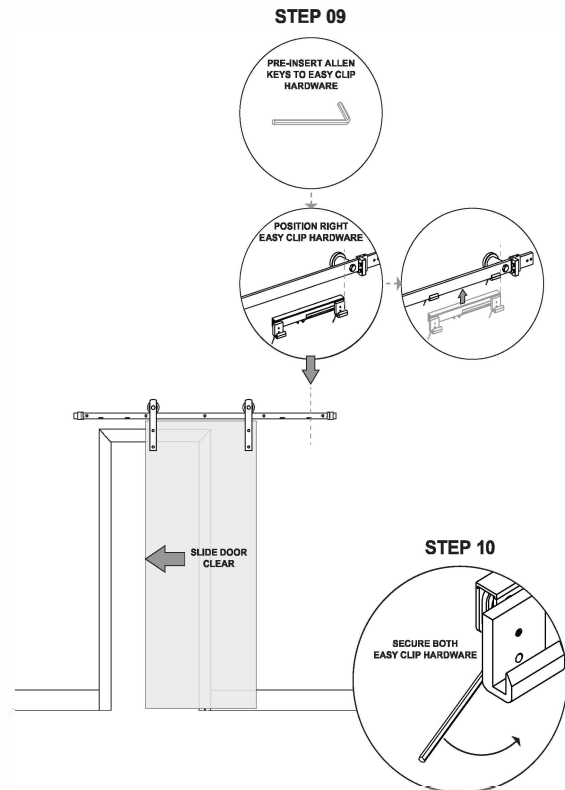
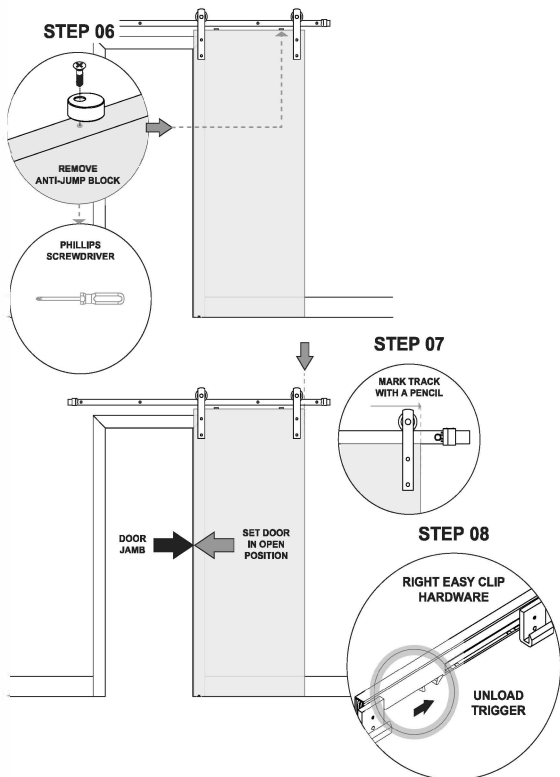
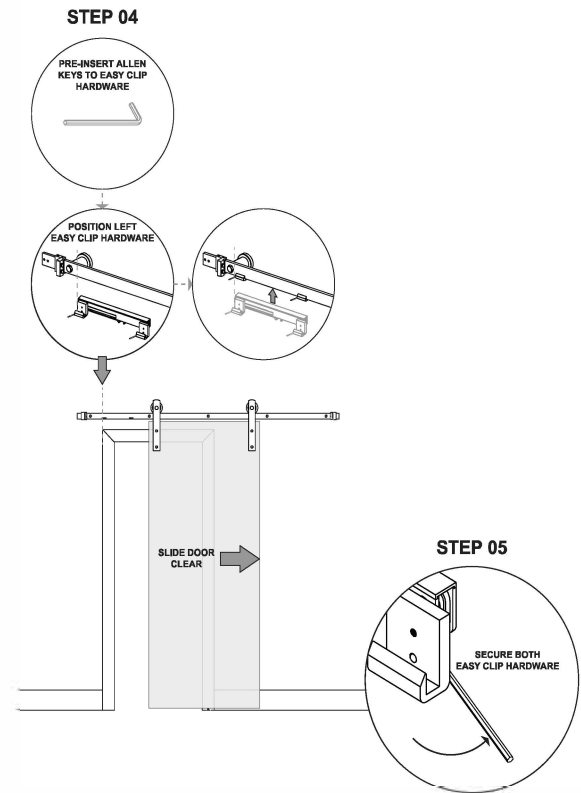
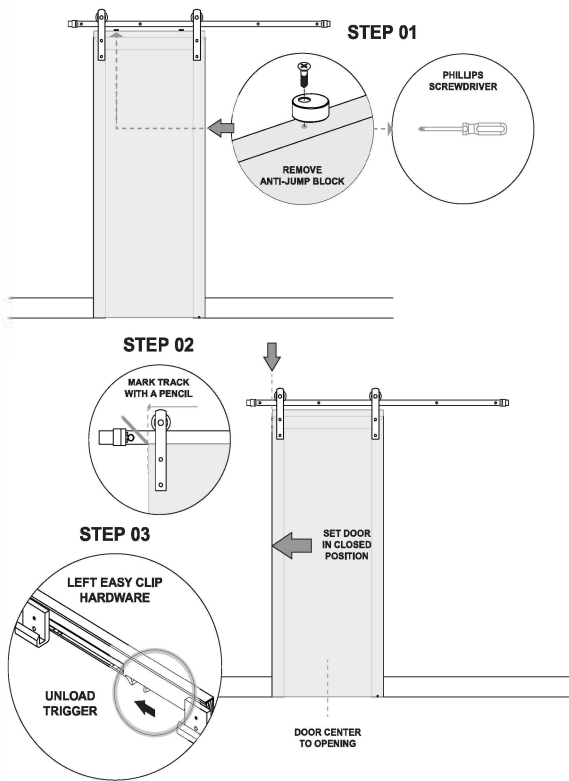
EASY CLIP SOFT CLOSE

This hardware is designed to be mounted to the back of an existing Barn Door flat track. The left and right sided hardware are each mounted at the ends of the track to provide soft-close and soft-open operation of the door. Secure each hardware as instructed to ensure ideal location for optimal operation. Once installed correctly, both the triggers that have been installed to the top of the door will engage each soft close catch, slowing then stopping the door at the ideal locations across the track. **Note:** Installation of triggers require the removal of the anti-jump discs.

TOOLS REQUIRED: Pencil, Cordless Drill, Set of Drill Bits, Screw Driver Set and Allen Keys (provided).

INSTALLATION GUIDE

BARN DOOR EASY CLIP SOFT CLOSE



INSTALLATION GUIDE

BARN DOOR EASY CLIP SOFT CLOSE

