



BACKPACK VACCUUM

SAFETY, OPERATIONS AND MAINTENANCE MANUAL WITH PARTS LIST

Save These Instructions.

Read and follow all warnings and caution before using this vacuum. This unit is intended for commercial use.

This vacuum will afford you many years of trouble-free operating satisfaction, provided it is given proper care. All parts have passed rigid quality control standards prior to their assembly to produce the final product. Prior to packaging, your vacuum was again inspected for assurance of flawless assembly.

This vacuum is protectively packed to prevent damage in shipment. We recommend that upon delivery, unpack the unit and inspect it for any possible damage. Only a visual examination will reveal damage that may have occurred. If damage is discovered, immediately notify the transportation company that delivered your vacuum. As a shipper, we are unable to report any claim for damage. You must originate any claim within 5 days.

IMPORTANT SAFETY INSTRUCTIONS

WARNING: Electric shock could occur if used on wet surfaces. DO NOT expose to rain. Store indoors.

To reduce the risk of fire, electric shock or injury:

1. Unplug from the outlet before servicing.
2. **DO NOT** use on wet surfaces.
3. Use caution around children or pets.
4. Use only manufacturer's recommended attachments and accessories.
5. **DO NOT** use this vacuum with damaged cord or plug. If the vacuum is not working as described, contact an authorized service center or factory for service.
6. **DO NOT** pull or carry by the cord or use cord as a handle. Keep cord away from heated surfaces.
7. **DO NOT** unplug the vacuum by pulling on the cord. To unplug, grasp the plug, not the cord.
8. **DO NOT** handle the plug with wet hands.
9. **Reduced** air flow increases motor heat. Change bag when air flow is reduced.
10. **Keep** hair, loose clothing, fingers, and all parts of body away from openings and moving parts.
11. **DO NOT** pick up anything that is burning or smoking, such as cigarettes, matches, or hot ashes.
12. **DO NOT** use without dust bag and/or filters in place.
13. **DO NOT** use the vacuum to pick up flammable or combustible liquids.
14. **DO NOT** use where oxygen or anesthetics are used.
15. The extension cord is provided with this unit is 50 foot, #16, 3-wire and **MUST** be used with this unit to insure grounding protection.

GROUNDING INSTRUCTIONS

DANGER: Improper use of the grounding plug can result in risk of electric shock.

Electrical equipment must be grounded. If it should malfunction or breakdown, grounding provides a path of least resistance for electrical current to reduce the risk of electric shock. The vacuum is equipped with a cord that has equipment-grounding conductor and grounding plug. The plug must be inserted into an appropriate outlet that is properly installed and grounded in accordance with all local codes and ordinances. If repair or replacement of the cord or plug is necessary DO NOT connect the grounded wire to either flat blade terminal. The wire with insulation having an outer surface that is green with or without yellow stripes is the grounding wire.

Grounding Methods

This electric equipment is for use on a nominal 120 volt circuit and has a grounded plug that looks like the plug illustrated in.

The temporary adaptor should be used only until a properly grounded outlet can be installed by a qualified electrician. The green color rigid ear, lug or the like extending from the adaptor must be connected to a permanent ground such as a properly grounded outlet box cover. Whenever the adaptor is used, it must be held in place by a metal screw.

WARNING:

Improper connection of the equipment-grounding conductor can result in a risk of electric shock. Check with a qualified electrician or service person if you are in doubt as to whether the outlet is properly grounded.

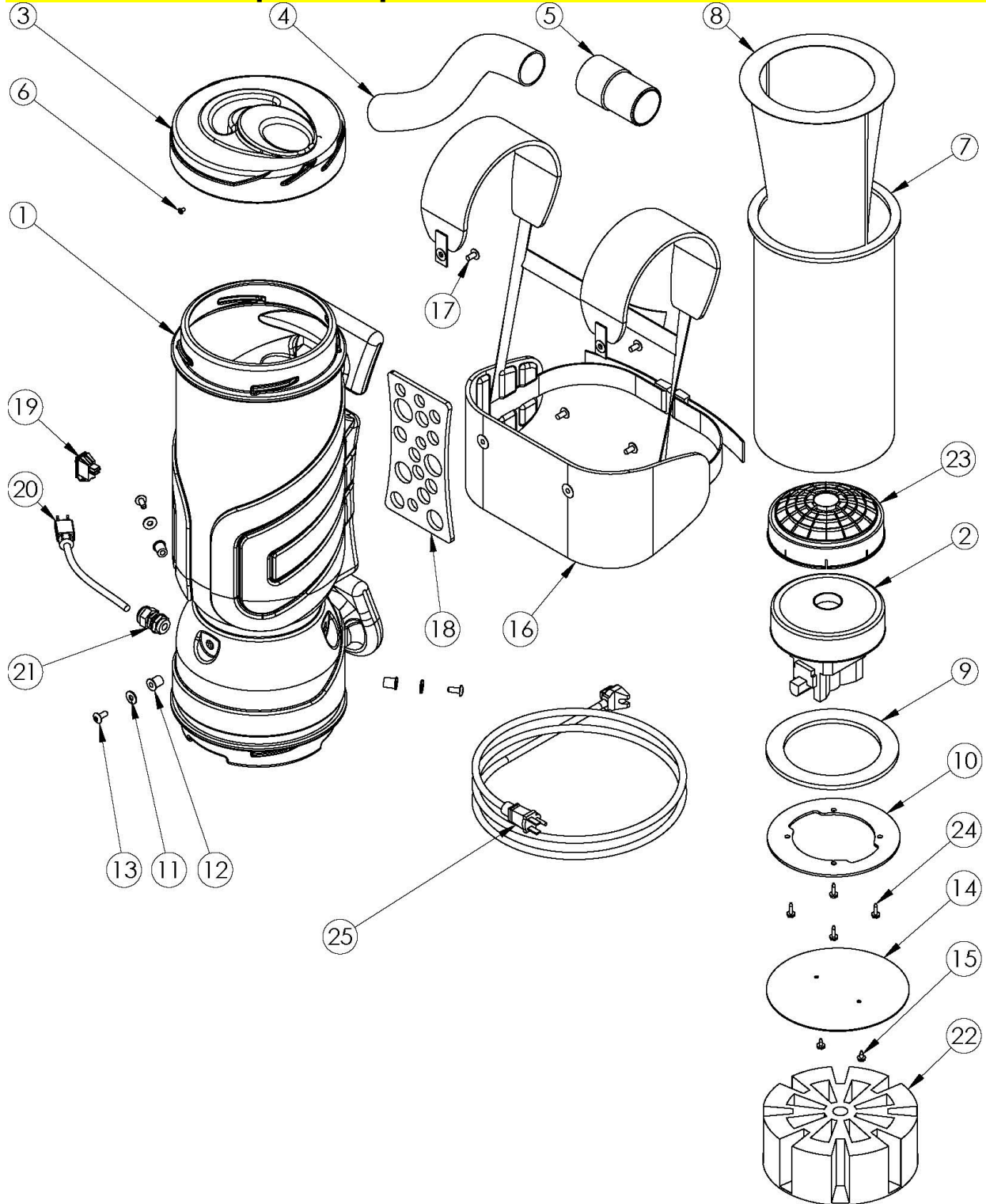
DO NOT modify the plug provided with the equipment. If it will not fit the outlet, have a proper outlet installed by a qualified electrician.

Note: In Canada, the use of a temporary adaptor is not permitted by the Canadian Electrical Code.

REPLACEMENT PARTS LIST

PARTS BREAKDOWN

Mosquito Super Vacuum: 6 and 10 Quart



Mosquito Schematic Breakdown Parts

1	Housing – Backpack (for 6 quart vacuum add -6 after part number)	10-1001	1
2.a	Vacuum Motor Super (119347-00)	10-1002a	1
2.b	Vacuum Motor Construction (115923 duel stage)	10-1002b	
3	10-Quart Lid (for 6 quart add -6 after part number)	10-1003	1
4	Vacuum Hose 4'	10-1004	1
5.a	Hose Cuff Swivel	10-1005a	1
5.b	Hose Cuff Non-Swivel	10-1005b	
6	Rivet – Hose To Lid	10-1006	1
7	10 Quart Cloth Bag (for 6 quart add -6 after part number)	10-1037	1
8	Micro Lined Filter Bag (for 6 quart add -6 after part number)	10-1008	1
9	Gasket – Motor To Housing	10-1009	1
10	Aluminum Mounting Ring – Motor	10-1010	1
11	Plastic Washer For Well Nut	10-1011	3
12	Well Nut	10-1012	3
13	Screw (for well nut)	10-1013	3
14	Aluminum Finger Guard – Motor	10-1014	1
15	Screw – Motor Finger Guard	10-1015	2
16	Shoulder and Waist Belt	10-1016	1
17	Screw – Shoulder & Waist Belt	10-1017	4
18	Backrest Pad With 3/M Adhesive	10-1018	1
19	On/Off Rocker Switch	10-1019	1
20	9" Pigtail Power Cord (50 ft. 16-3 SJTW 125V)	10-1020	1
21	Strain Relief with Nut (Heyco 1/2in dia)	10-1021	1
22	Noise Filter (exhaust noise filter)	10-1040	1
23	HEPA Dome Filter (motor)	10-1039	1
24	Screw – Motor To Mounting Plate	10-1024	4
25	Extension Cord Yellow Illuminated (50 ft. 16-3 SJTW 125V)	10-1025	1

Part #	Description
10-1026	5" Upholstery Tool
10-1027	14" Scalloped Floor Tool (carpet)
10-1028	17" Crevice Tool
10-1029	Aluminum Vacuum Wand, 2 Piece – 56" 2 Bend With 3 Piece Head Kit
10-1030	3" Round Dust Brush
10-1032	14" Nylon Bristle Brush

Part #	Description
10-1031	4" Car Utility Belt
10-1033	15" Smooth Glide Vacuum Head
10-1034	14" Slotted Horse Brush Vacuum Head
10-1035	14" Quick Clean Paddle Vacuum Head
10-1036	14" Horse Hair Brush Floor Tool

Parts list (continue on next page)

Part #	Description
10-1037	10-Quart <u>Cloth</u> Bag with Gasket (1 per bag)
10-1038	6-Quart <u>Cloth</u> Bag with Gasket (1per bag)
10-1039	HEPA Dome Filter (motor)
10-1040	Dual Cell Noise Filter 10 Quart (for 6 quart vacuum add -6 after part number)
10-1041	10-Quart Vacuum Micro Lined Filter Bag (10 pack)
10-1042	6-Quart Vacuum Micro Lined Filter Bag (10-Pack)

Part #	Description
10-1043	10-Quart Vacuum HEPA Micro Lined Filter Bag (10 pack)
10-1044	6-Quart Vacuum HEPA Micro Lined Filter Bag (10 pack)
10-1045	Vacuum Lid, Hose and Swivel Cuff (assembled)
10-1046	4" Vacuum Hose With Swivel Cuff (1-1/2" diameter no lid)
10-1047	17" Complete P-Tail Cord (includes strain relief and nut)
10-1048	Aluminum Vacuum Wand, 2 Piece – 56" 2 Bend With 3 piece Head Kit
10-1049	Complete 4" Super Flex Vacuum Hose, With Cuffs 1-1/2" Diameter
10-1050	Pipe Cleaner (1-4" pipe) Wand Attachment For Cleaning Overhead
10-1051	Pipe Cleaner (4-8" pipe) Wand Attachment For Cleaning Overhead
10-1052	Vacuum Motor Gasket (for 6 & 10 quart vacuums)
10-1053	Backpack Waist Belt Extension (up to 12")

Sidewinder Floor Tools. The Sidewinder's carpet tools are perfect for large open areas as well as detailing tight places. The user can quickly clean open spaces and with no change in tool, clean along floorboards, vents and edges.

Part #	Description
SW-1007	18" Carpet Tool
SW-1008	15" Carpet Tool
SW-1009	8" Carpet Tool

The Sidewinder's hard floor tools are ideal for all hard surfaces. With a variety of sizes & styles, the user will get more effective results. The 8" Dusting Brush Horsehair tool (picture not shown) is excellent for blinds and door tops.

Part #	Description
SW-1001	18" Hard Floor Tool
SW-1002	15" Hard Floor Tool

Part #	Description
SW-1003	18" Hard Floor Tool
SW-1004	15" Hard Floor Tool

Part #	Description
SW-1005	18" Hard Floor Tool
SW-1006	15" Hard Floor Tool

Parts list (continue on next page)

Conventionally, a backpack vacuum system utilizes a curved wand. This curvature can create back strain and cause the user to easily tire. The Sidewinder's wand is straight. This allows the user to stand erect, alleviating back strain and fatigue.

Part #	Description
SW-1010	59" Straight Aluminum Wand
SW-1011	54" Straight Aluminum 2 Piece 1 ¼" Wand
SW-1012	54" Straight Aluminum 2 Piece 1 ½" Wand
SW-1013	Straight Aluminum Wand Extension
SW-1014	32" Half Curve Adapter Wand

BACKPACK VACCUM TROUBLE SHOOTING GUIDE

CAUTION: Always disconnect power cord before servicing.

WARNING: Repairs should only be performed by an authorized service center.

PROBLEM: Loss of suction.

CAUSE:

1. Cap is damaged.
2. Faulty vacuum motor.
3. Full paper filter bag.
4. Clogged hose or wand.
5. Loose or broken fan.

SOLUTION:

1. Inspect and replace if needed.
2. Call manufacturer or service center.
3. Replace paper filter bag.
4. Remove obstruction.
5. Contact manufacturer or service center

PROBLEM: Motor is not running.

CAUSE:

1. Faulty ON/OFF switch.
2. Power cord defective
3. Loose connection or wiring.
4. Motor defective.
5. Blown fuse or tripped circuit breaker.

SOLUTION:

1. Contact manufacturer or service center.
2. Contact manufacturer or service center.
3. Contact manufacturer or service center.
4. Contact manufacturer or service center.
5. Replace fuse or reset circuit breaker.

PROBLEM: Dust blowing from vacuum when running.

CAUSE:

1. Full paper filter bag.
2. Paper filter bag not installed properly.
3. Cloth filter bag dirty.
4. Cloth or paper filter bag is torn.

SOLUTION:

1. Replace filter bag.
2. Reinstall or replace.
3. Clean cloth filter bag
4. Replace

WARRANTY: Refer to www.mosquitosupervac.com > Warranty for additional information.